

# SAGITTARIUS

## TAPS & SHOWERING

<b>Construction</b>	Valve: High Performance Polyamide (PPA) Body & SS201 Stainless steel Casing; Stainless steel Rail; Stainless steel Base plates; ABS Handles
<b>Finishes</b>	Matt Black
<b>Product Type</b>	Contemporary
<b>Water Pressure Tested Pressure</b>	Min. 0.2 bar, Max. 6.0 bar
<b>Standards</b>	Complies with BSEN 1111
<b>Certification</b>	WRAS approved and certified (Pending)
<b>Cartridge</b>	Thermostatic
<b>Diverter</b>	Integrated ceramic disc valve diverter S-Union connectors (Male thread offset 1/2 inch x 3/4" BSP with Escutcheon); Brass G1/2" BSP Male bottom outlet & G3/4" BSP Male upper outlet connection
<b>Fitting</b>	
<b>Guarantee</b>	5 years against manufacturing faults (excluding serviceable parts)
<b>Additional Information</b>	<ol style="list-style-type: none"><li>1. Temperature: Pre-set 38°C, with push button override to 48°C</li><li>2. Automatic shut off in the event of hot or cold water supply failure</li><li>3. COOL TOUCH Bar Valve technology</li><li>4. Ultra Slim Shower head : Matt Black, 200mm, Stainless steel</li><li>5. Shower handset : Matt Black, ABS, 3 modes</li><li>6. Handset holder : Matt Black , ABS , adjustable height</li><li>7. Shower hose : Matt Black, PVC 1.5m</li><li>8. Telescopic adjustable height riser rail: Matt Black, Stainless steel</li></ol>

**ALBA HIGH FLOW  
ADJUSTABLE VALVE  
AND RISER BLACK  
SS/626/B**



The information contained on this page was correct at the date of issue. Fitting dimensions are provided as a guide only. Some variation may occur due to manufacturing tolerances. We pursue a policy of continuing improvement in design and performance of our products and so reserve the right to change specifications without prior notice

FOR FURTHER ADVICE PLEASE CONTACT :-

SAGITTARIUS LTD UNIT 1 LOWER VICTORIA STREET—CHADDERTON—OLDHAM—OL9 9TU TEL:0616 6202029

EMAIL:TECHNICAL@SAGITTARIUSTAPS.CO.UK

## Operating Water Pressure



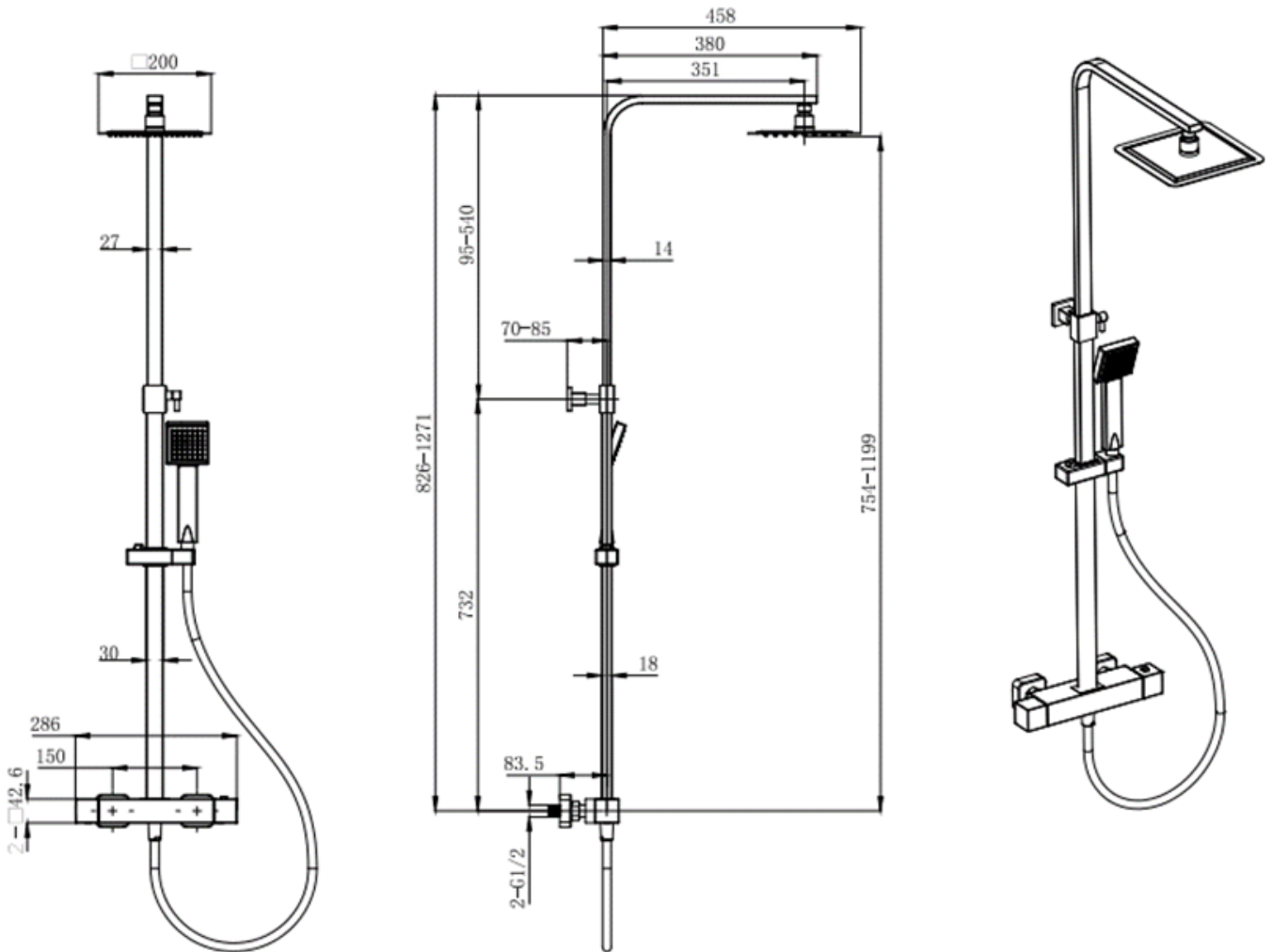
**COMBI BOILER**

1.2 - 1.5+ bar



**HIGH PRESSURE**

1.2 - 1.5+ bar



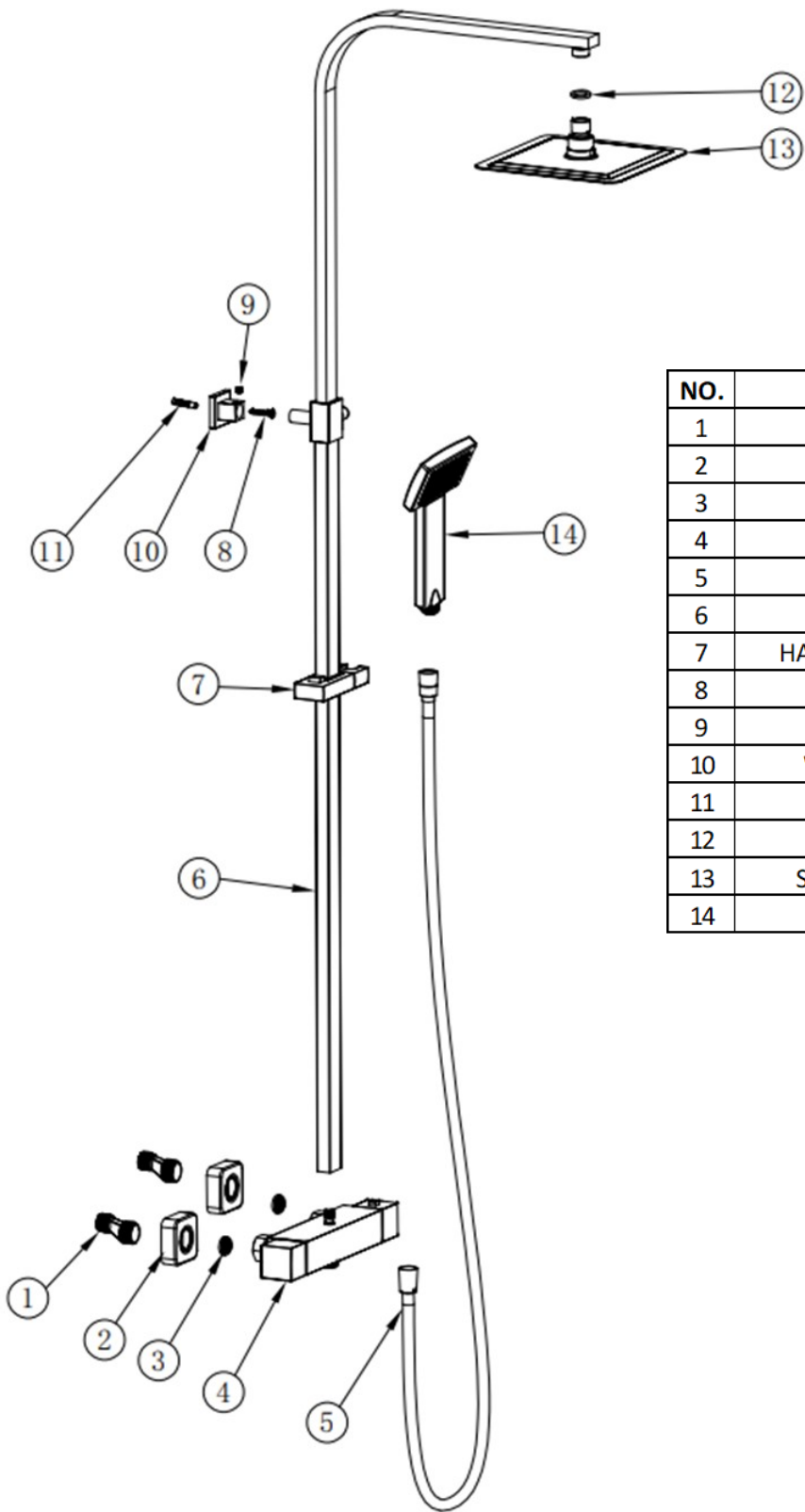
## Flow Rates (Litres per minute)

System Pressure	0.1 Bar	0.2 Bar	0.3 Bar	0.5 Bar	1.0 Bar	1.5 Bar	2.0 Bar	3.0 Bar	4.0 Bar	5.0 Bar
Handset	3.4	-	-	8.1	11.7	-	16.9	20.7	24.1	26.8
Showerhead	2.9	-	-	7.4	10.6	-	15.4	18.9	21.9	24.5

FOR FURTHER ADVICE PLEASE CONTACT :-

SAGITTARIUS LTD UNIT 1 LOWER VICTORIA STREET—CHADDERTON—OLDHAM—OL9 9TU TEL:0616 6202029

EMAIL:TECHNICAL@SAGITTARIUSTAPS.CO.UK



NO.	NAME	QTY.
1	S-UNION	2
2	BASE PLATE	2
3	LOCK NUT	2
4	BODY	1
5	HOSE	1
6	RAIL	1
7	HANDSET HOLDER	1
8	SCREW	1
9	SCREW	1
10	WALL BUCKET	1
11	SCREW	1
12	O-RING	1
13	SHOWER HEAD	1
14	HANDSET	1

FOR FURTHER ADVICE PLEASE CONTACT :-

SAGITTARIUS LTD UNIT 1 LOWER VICTORIA STREET—CHADDERTON—OLDHAM—OL9 9TU TEL:0616 6202029

EMAIL:TECHNICAL@SAGITTARIUSTAPS.CO.UK