

# SAGITTARIUS

## TAPS & SHOWERING

<b>Construction</b>	Brass Body (ZCuZn40Pb2); SS201 Riser rail & Base plates; ABS Handles
<b>Finishes</b>	Chrome plated to BS EN 248
<b>Product Type</b>	Contemporary
<b>Water Pressure Tested Between</b>	Min. 0.3 bar (Handset) 1.0 bar (Shower Head), Max. 6.0 bar
<b>Standards</b>	Complies with BSEN 1111
<b>Certification</b>	WRAS (2010080) approved and certified; Manufactured to comply with TMV2
<b>Cartridge</b>	Thermostatic cartridge and Integrated Ceramic disc valve diverter
<b>Fitting</b>	Stainless steel S-Union connectors (Male thread offset 1/2 inch x 3/4" BSP with Escutcheon)
<b>Guarantee</b>	10 years against manufacturing faults (excluding serviceable parts)
<b>Additional Information</b>	<ol style="list-style-type: none"><li>1. Temperature: Pre-set 38°C, with push button override to 48°C</li><li>2. Automatic shut off in the event of hot or cold water supply failure</li><li>3. Ultra-slim Shower head : Chrome , SS304 , Air induction , Ø200mm , rubber nozzles</li><li>4. Shower handset : Chrome, ABS , 3 modes , G1/2" BSP</li><li>5. Handset holder : Chrome , ABS , adjustable height</li><li>6. Shower hose : Chrome, Stainless steel, double interlock, 1.5m , G1/2" BSP</li><li>7. Riser rail : Chrome , Stainless steel , telescopic adjustable height</li></ol>

### CREMONA EXPOSED VALVE AND RISER KIT SS/618/C

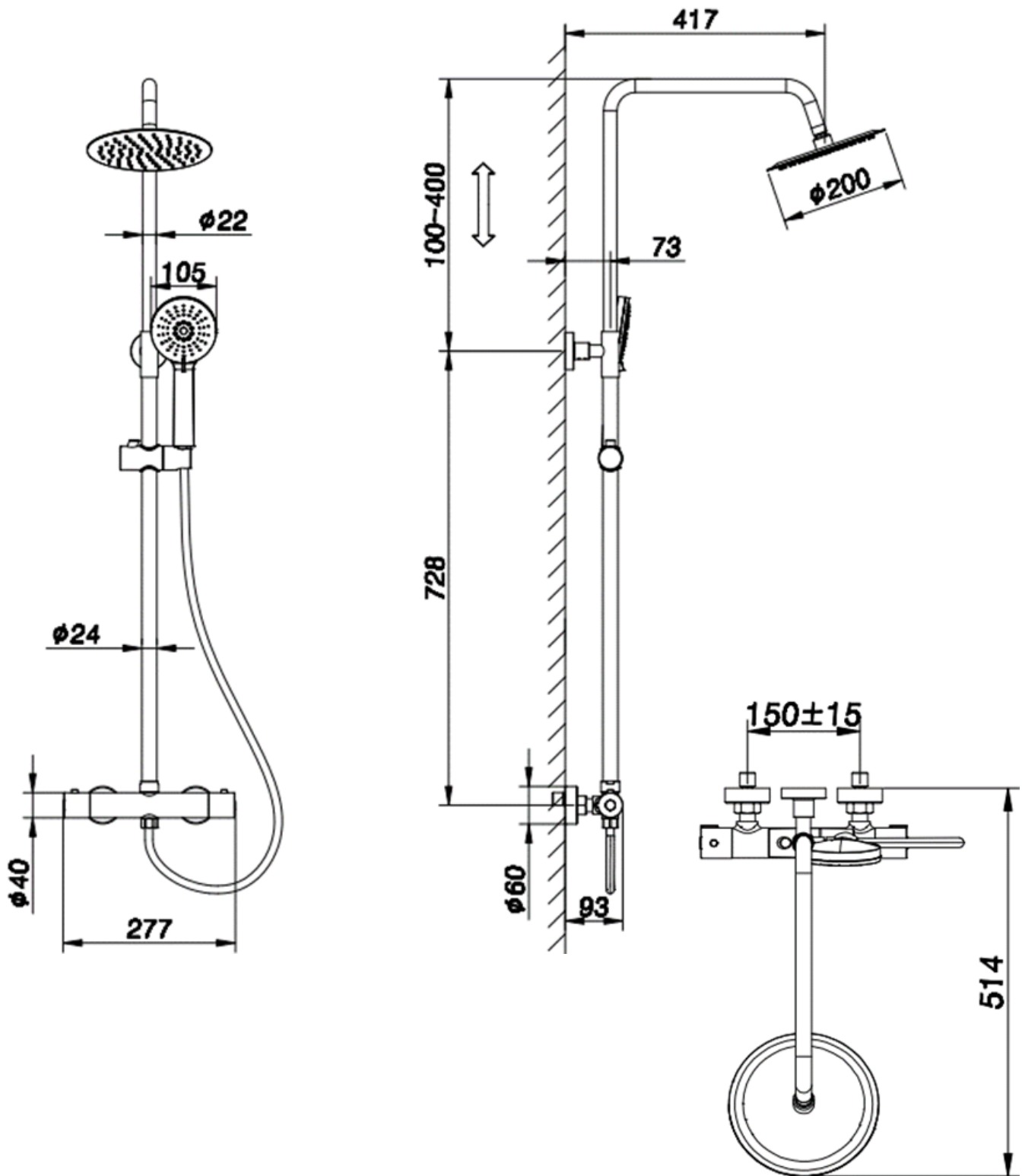


The information contained on this page was correct at the date of issue. Fitting dimensions are provided as a guide only. Some variation may occur due to manufacturing tolerances. We pursue a policy of continuing improvement in design and performance of our products and so reserve the right to change specifications without prior notice

FOR FURTHER ADVICE PLEASE CONTACT :-

SAGITTARIUS LTD UNIT 1 LOWER VICTORIA STREET—CHADDERTON—OLDHAM—OL9 9TU TEL:0616 6202029

EMAIL:TECHNICAL@SAGITTARIUSTAPS.CO.UK



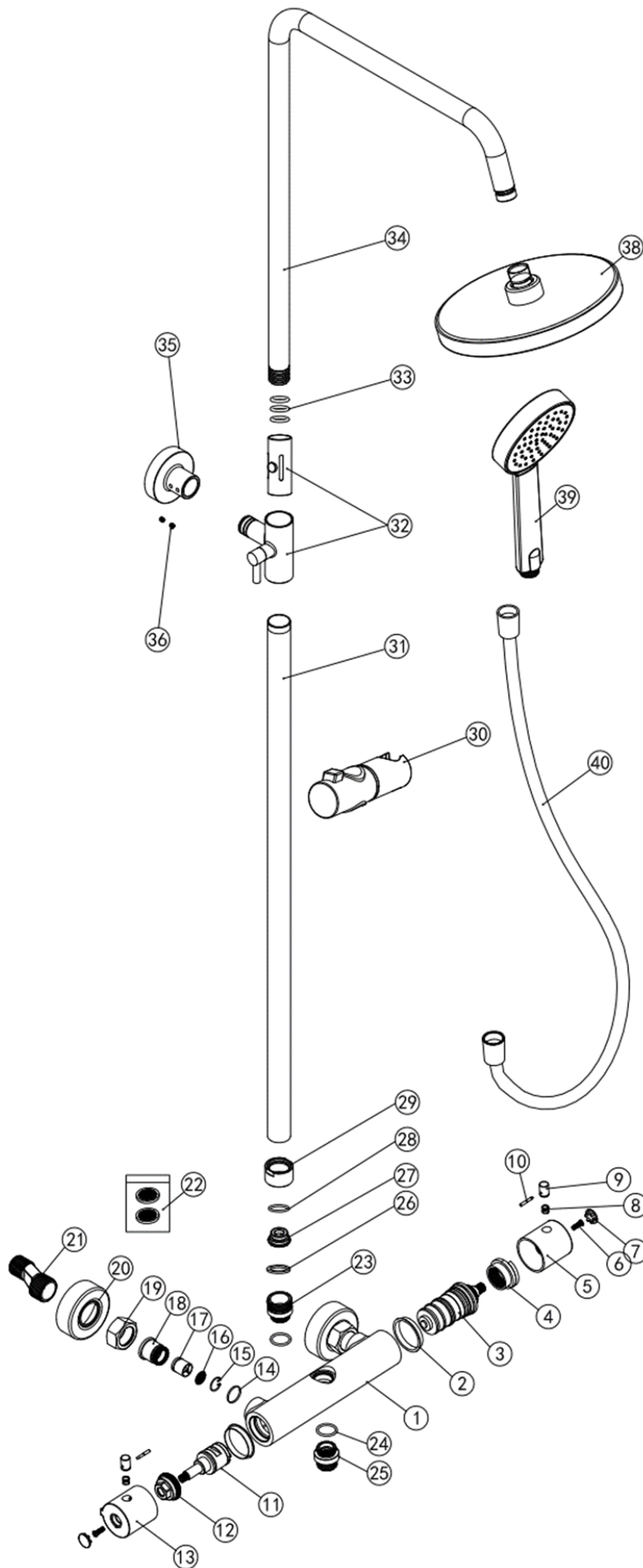
**Flow Rates** (Litres per minute)

System Pressure	0.1 Bar	0.2 Bar	0.3 Bar	0.5 Bar	1.0 Bar	1.5 Bar	2.0 Bar	3.0 Bar	4.0 Bar	5.0 Bar
	4.3	5.6	6.7	8.5	11.8	14.4	16.5	20.2	23.2	26.0

FOR FURTHER ADVICE PLEASE CONTACT :-

SAGITTARIUS LTD UNIT 1 LOWER VICTORIA STREET—CHADDERTON—OLDHAM—OL9 9TU TEL:0616 6202029

EMAIL:TECHNICAL@SAGITTARIUSTAPS.CO.UK



NO.	PARTS DESCRIPTION	QTY
1	BRASS VALVE BODY	1
2	Ø40*Ø34.5*6 POM HANDLE WASHER	2
3	THERMOSTATIC CARTRIDGE	1
4	SW10*G1/2 BRASS CARTRIDGE NUT	1
5	Ø40*41.5 ABS THERMO HANDLE	1
6	M4*12 SS201 HANDLE SCREW	2
7	Ø16*5.5 ABS CHROME COVER CAP	2
8	SS304 BUTTON SPRING	2
9	ABS SAFETY BUTTON	2
10	SS304 PUSH BUTTON PIN	2
11	CERAMIC DISC VALVE DIVERTER	1
12	BRASS CARTRIDGE NUT	1
13	Ø40*41.5 ABS ON/OFF HANDLE	1
14	Ø15.4*1.8 NBR INLET O-RING	2
15	SS304 S/STEEL CIRCLIP	2
16	SS304 S/STEEL FILTER WASHER	2
17	DN15 CHECK VALVE	2
18	BRASS INLET CONNECTOR	2
19	SW30*15 G3/4 BRASS BACK NUT	2
20	60*19 SS201 S/STEEL BASE PLATE	2

FOR FURTHER ADVICE PLEASE CONTACT :-

SAGITTARIUS LTD UNIT 1 LOWER VICTORIA STREET—CHADDERTON—OLDHAM—OL9 9TU TEL:0616 6202029

EMAIL:TECHNICAL@SAGITTARIUSTAPS.CO.UK