

SAGITTARIUS

TAPS & SHOWERING

| | |
|--------------------------------------|---|
| Construction | Brass Body (CuZn38Pb18); Stainless steel Rail; Zinc-alloy Handles |
| Finishes | Chrome (Ni : 8-12um, Cr : 0.25-0.3um) |
| Product Type | Contemporary |
| Water Pressure Tested Between | Min. 0.2 bar (handset) 0.5 bar (shower head), Max. 6.0 bar |
| Standards | Complies with BSEN 1111 |
| Certification | WRAS (1710082) and TMV2 (NSF1917/1017) approved and certified |
| Cartridge | Thermostatic cartridge & Integrated Ceramic valve diverter |
| Check valve | 0.5-10 gpm |
| Fitting | Brass Easy fit (15mm compression connection) |
| Guarantee | 10 years against manufacturing faults (excluding serviceable parts) |
| Additional Information | Temperature: Pre-set 38°C, with push button override to 48°C Automatic shut off in the event of hot or cold water supply failure Stainless steel adjustable riser rail Shower head : Chrome , ABS , 225mm Handset : Chrome , ABS , 3 modes Select Button Hose : Chrome , Smooth PVC, 1.5m , G1/2" BSP Cool touch technology |

STARK CUBE DELUXE EXPOSED VALVE AND RISER KIT CHROME

SS/611/C

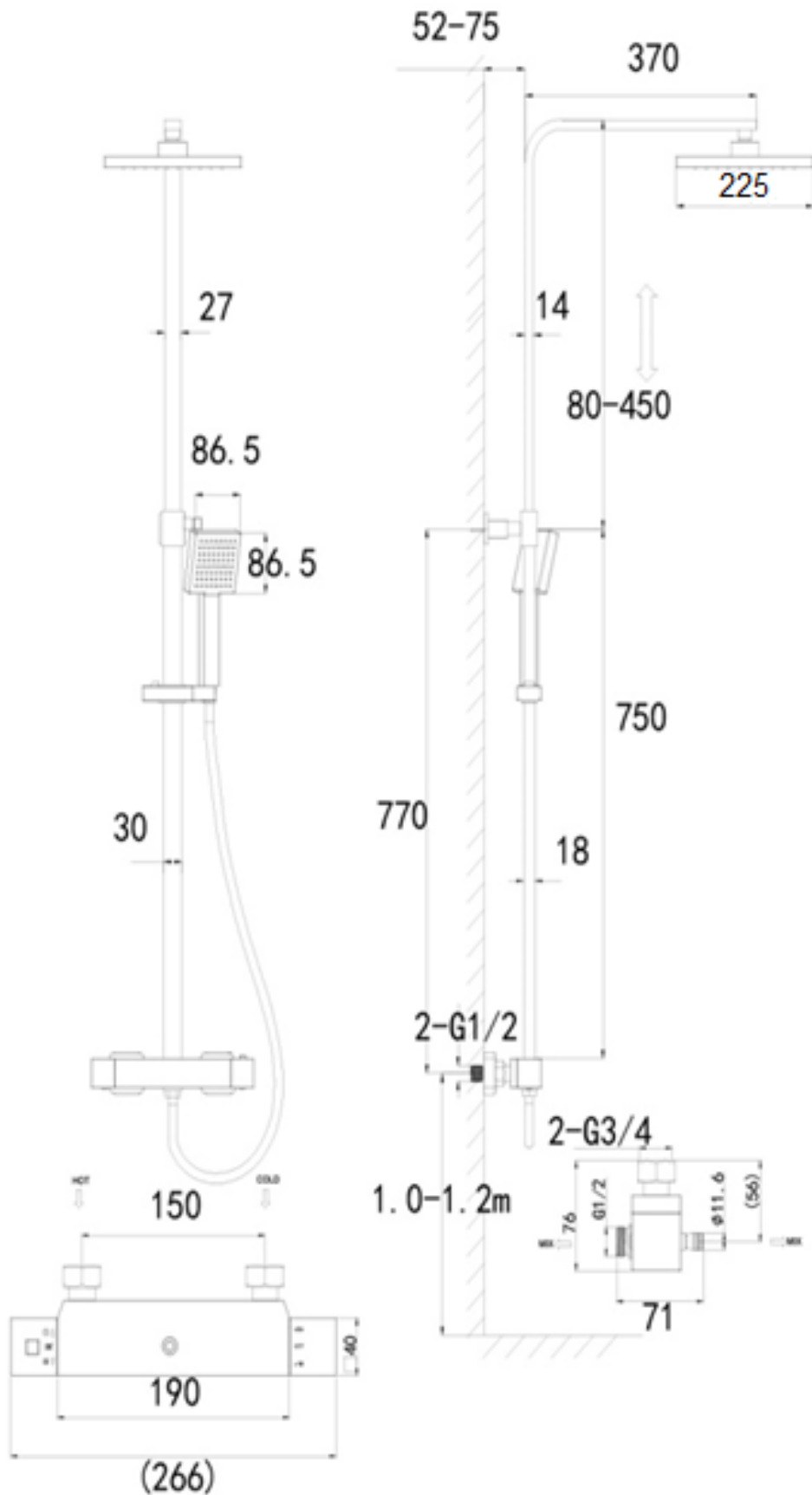


The information contained on this page was correct at the date of issue. Fitting dimensions are provided as a guide only. Some variation may occur due to manufacturing tolerances. We pursue a policy of continuing improvement in design and performance of our products and so reserve the right to change specifications without prior notice

FOR FURTHER ADVICE PLEASE CONTACT :-

SAGITTARIUS LTD UNIT 1 LOWER VICTORIA STREET—CHADDERTON—OLDHAM—OL9 9TU TEL:0616 6202029

EMAIL:TECHNICAL@SAGITTARIUSTAPS.CO.UK



Flow Rates (Litres per minute)

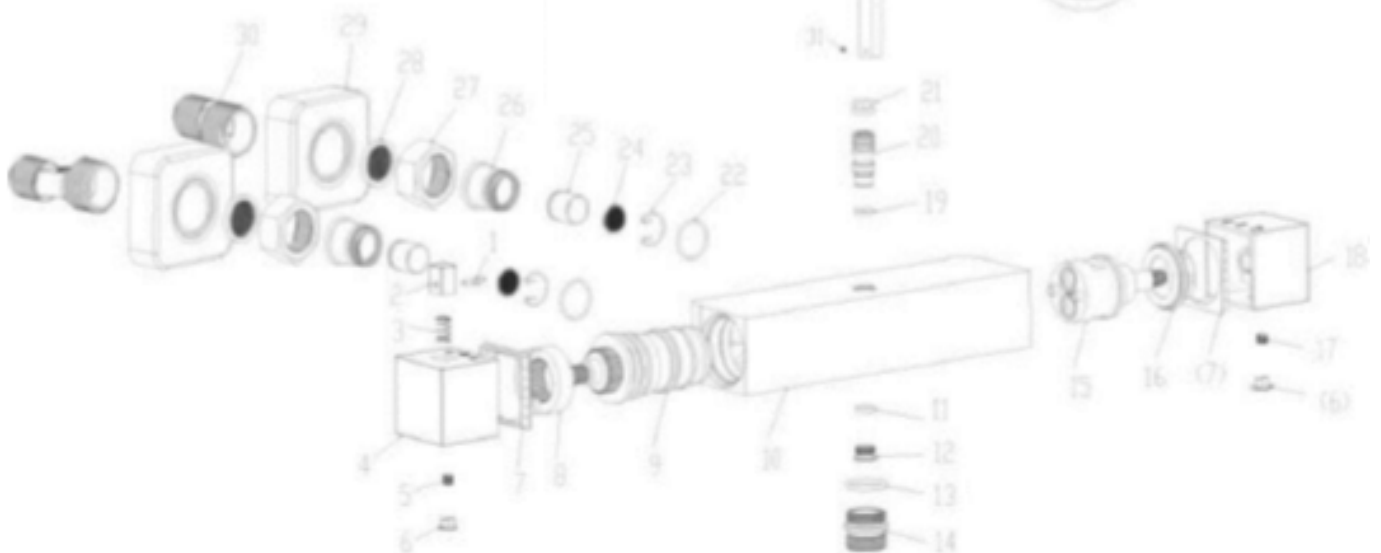
| System Pressure | 0.1 Bar | 0.2 Bar | 0.3 Bar | 0.5 Bar | 1.0 Bar | 1.5 Bar | 2.0 Bar | 3.0 Bar | 4.0 Bar | 5.0 Bar |
|-----------------|---------|---------|---------|---------|---------|---------|---------|---------|---------|---------|
| | 4.9 | 6.6 | 7.9 | 10.1 | 14.1 | 17.3 | 19.7 | 24.2 | 27.7 | 31.0 |

FOR FURTHER ADVICE PLEASE CONTACT :-

SAGITTARIUS LTD UNIT 1 LOWER VICTORIA STREET—CHADDERTON—OLDHAM—OL9 9TU TEL:0616 6202029

EMAIL:TECHNICAL@SAGITTARIUSTAPS.CO.UK

| NO. | DESCRIPTION | QTY |
|-----|-------------------------------|-----|
| 1 | PUSH BUTTON PIN | 1 |
| 2 | PUSH BUTTON | 1 |
| 3 | PUSH BUTTON SPRING | 1 |
| 4 | ZINC-ALLOY THERMO HANDLE | 1 |
| 5 | HANDLE SCREW | 1 |
| 6 | COVER CAP | 2 |
| 7 | WASHER | 2 |
| 8 | THERMO STOP RING | 1 |
| 9 | THERMOSTATIC CARTRIDGE | 1 |
| 10 | BRASS VALVE BODY | 1 |
| 11 | NBR O-RING | 1 |
| 12 | BRASS CONNECTOR | 1 |
| 13 | NBR O-RING | 1 |
| 14 | G1/2" BSP OUTLET | 1 |
| 15 | ON/OFF CERAMIC DISC VALVE | 1 |
| 16 | CARTRIDGE COVER | 1 |
| 17 | SCREW | 1 |
| 18 | ZINC-ALLOY ON/OFF HANDLE | 1 |
| 19 | NBR CONNECTOR O-RING | 1 |
| 20 | BRASS RAIL CONNECTOR | 1 |
| 21 | NBR CONNECTOR O-RING | 2 |
| 22 | NBR INLET O-RING | 2 |
| 23 | CIRCLIP | 2 |
| 24 | FILTER | 2 |
| 25 | CHECK VALVE | 2 |
| 26 | INLET CONNECTOR | 2 |
| 27 | BRASS BACK NUT | 2 |
| 28 | FILTER WASHER | 2 |
| 29 | BASE PLATE | 2 |
| 30 | S-UNION CONNECTOR | 2 |
| 31 | WALL BRACKET GRUB SCREW | 4 |
| 32 | RAIL (LOWER) | 1 |
| 33 | RAIL CONNECTOR | 1 |
| 34 | WALL BRACKET | 1 |
| 35 | RAIL CONNECTOR LEVER | 1 |
| 36 | RAIL CONNECTOR PLASTIC INSERT | 1 |
| 37 | RAIL (UPPER) | 1 |
| 38 | NBR CONNECTOR O-RING | 1 |
| 39 | SHOWER HEAD CONNECTOR | 1 |
| 40 | ABS SHOWER HEAD | 1 |
| 41 | ABS SHOWER HANDSET | 1 |
| 42 | 1.5M PVC SHOWER HOSE | 1 |
| 43 | ABS HANDSET HOLDER | 1 |



FOR FURTHER ADVICE PLEASE CONTACT :-

SAGITTARIUS LTD UNIT 1 LOWER VICTORIA STREET—CHADDERTON—OLDHAM—OL9 9TU TEL:0616 6202029

EMAIL:TECHNICAL@SAGITTARIUSTAPS.CO.UK