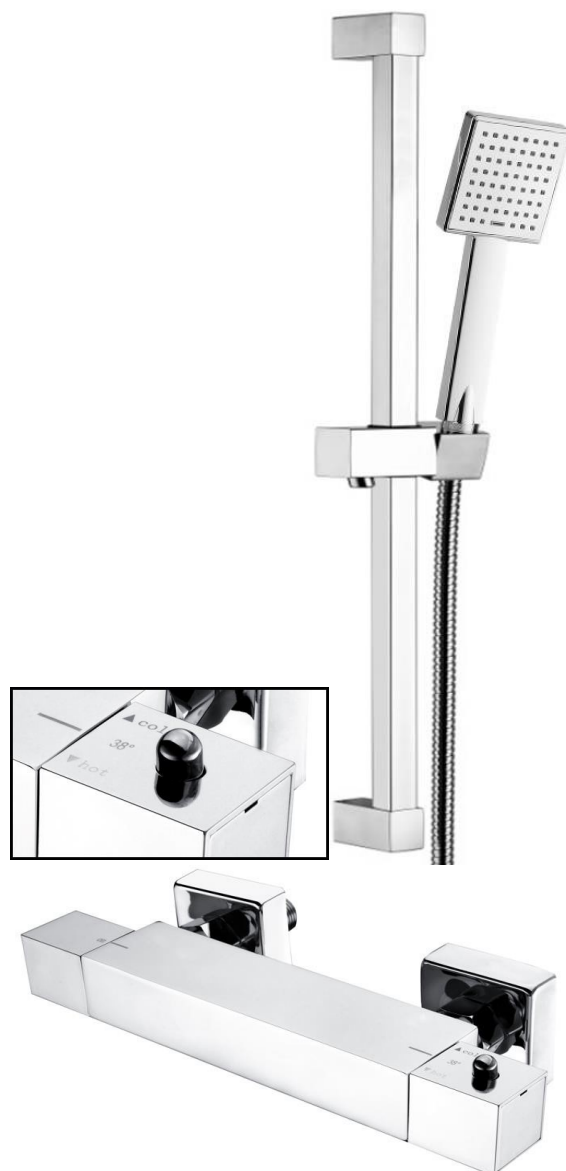


SAGITTARIUS

TAPS & SHOWERING

LUVIO CUBE HP SHOWER PACK (EASY FIT) CHROME SS/602/C

Construction	Brass Body (CuZn38Pb18); Stainless steel Slider rail; ABS Handles
Finishes	Chrome plated to BS EN 248
Product Type	Contemporary
Water Pressure Tested Between	Min. 0.2 bar, Max. 6.0 bar
Standards	Complies with BSEN 1111
Certification	WRAS (1710082) and TMV2 (NSF1917/1017) approved and certified
Cartridge	Thermostatic
Valve	Ceramic disc on/off valve
Check valve	DN15 check valve (0.5-10 gpm)
Fitting	Brass Easy Fit connectors (15mm compression connection) supplied
Guarantee	10 years against manufacturing faults (excluding serviceable parts)
Additional Information	Temperature: Pre-set 38°C, with push button override to 48°C Automatic shut off in the event of hot or cold water supply failure Shower handset : Chrome , ABS , single mode , G1/2" BSP Shower hose : Chrome , Stainless steel , double interlock , 1.5m , G1/2" BSP Handset holder : Chrome , ABS, adjustable

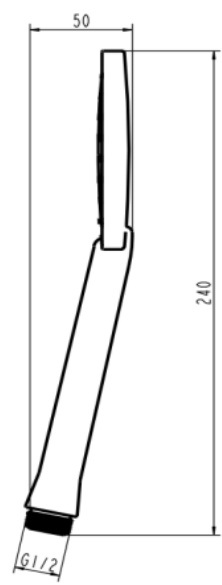
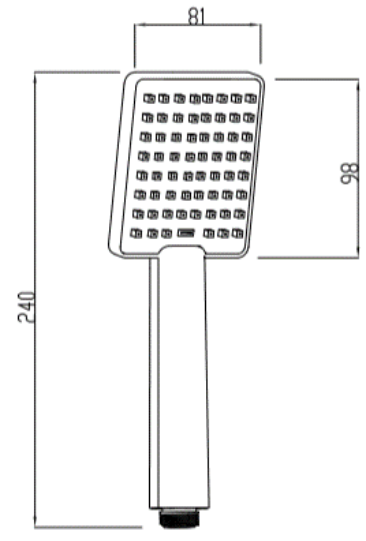
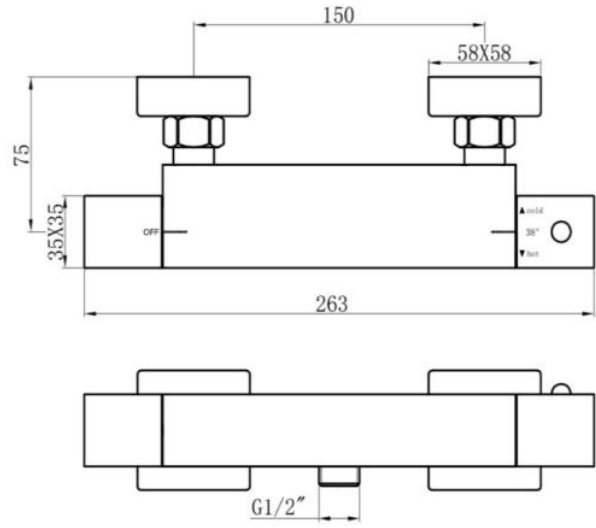
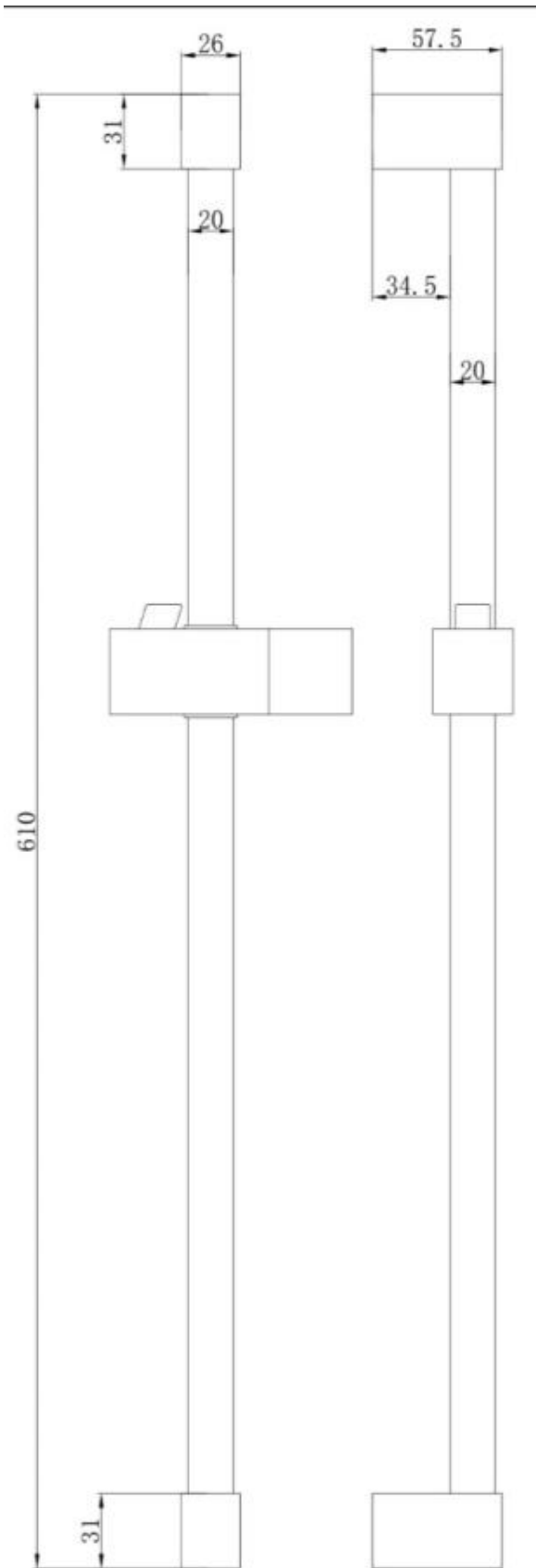


The information contained on this page was correct at the date of issue. Fitting dimensions are provided as a guide only. Some variation may occur due to manufacturing tolerances. We pursue a policy of continuing improvement in design and performance of our products and so reserve the right to change specifications without prior notice

FOR FURTHER ADVICE PLEASE CONTACT :-

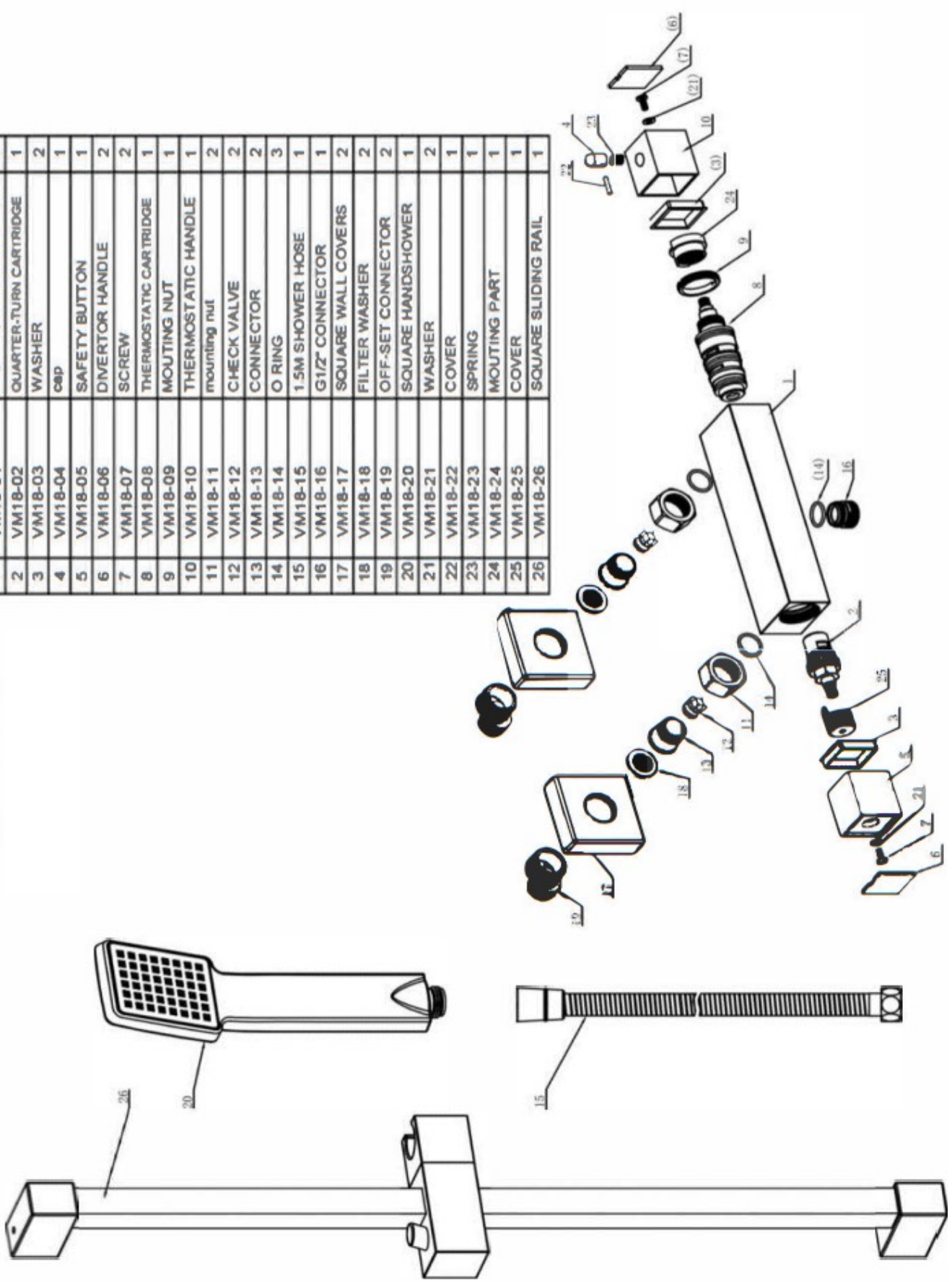
SAGITTARIUS LTD UNIT 1 LOWER VICTORIA STREET—CHADDERTON—OLDHAM—OL9 9TU TEL:0616 6202029

EMAIL:TECHNICAL@SAGITTARIUSTAPS.CO.UK



FOR FURTHER ADVICE PLEASE CONTACT :-
 SAGITTARIUS LTD UNIT 1 LOWER VICTORIA STREET—CHADDERTON—OLDHAM—OL9 9TU TEL:0616 6202029
 EMAIL:TECHNICAL@SAGITTARIUSTAPS.CO.UK

NO.	ITEM CODE	DESCRIPTION	QTY
1	VM18-01	THERMOSTATIC VALVE BODY	1
2	VM18-02	QUARTER-TURN CARTRIDGE	1
3	VM18-03	WASHER	2
4	VM18-04	cap	1
5	VM18-05	SAFETY BUTTON	1
6	VM18-06	DIVERTOR HANDLE	2
7	VM18-07	SCREW	2
8	VM18-08	THERMOSTATIC CARTRIDGE	1
9	VM18-09	MOUNTING NUT	1
10	VM18-10	THERMOSTATIC HANDLE	1
11	VM18-11	mounting nut	2
12	VM18-12	CHECK VALVE	2
13	VM18-13	CONNECTOR	2
14	VM18-14	O RING	3
15	VM18-15	1.5M SHOWER HOSE	1
16	VM18-16	G1/2" CONNECTOR	1
17	VM18-17	SQUARE WALL COVERS	2
18	VM18-18	FILTER WASHER	2
19	VM18-19	OFF-SET CONNECTOR	2
20	VM18-20	SQUARE HANDSHOWER	1
21	VM18-21	WASHER	2
22	VM18-22	COVER	1
23	VM18-23	SPRING	1
24	VM18-24	MOUNTING PART	1
25	VM18-25	COVER	1
26	VM18-26	SQUARE SLIDING RAIL	1



FOR FURTHER ADVICE PLEASE CONTACT :-
 SAGITTARIUS LTD UNIT 1 LOWER VICTORIA STREET—CHADDERTON—OLDHAM—OL9 9TU TEL:0616 6202029
 EMAIL:TECHNICAL@SAGITTARIUSTAPS.CO.UK