

SAGITTARIUS

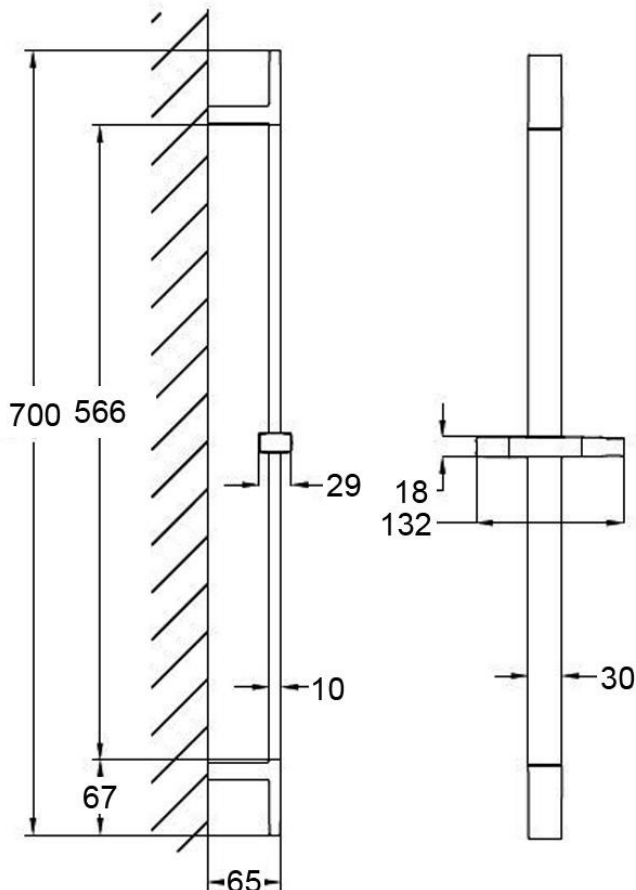
TAPS & SHOWERING

Construction	Brass, Stainless steel & ABS
Finishes	Chrome plated to BS EN 248
Product Type	Contemporary
Water Pressure	Min 0.5 bar and Max 5.0 bar
Certification	-
Guarantee	1 year against manufacturing faults (excluding serviceable parts)
Additional Information	Chrome Brass 700mm Rail Chrome adjustable ABS Handset holder Chrome ABS single mode Shower handset, G1/2" BSP Chrome Stainless steel 1.5m Shower hose, G1/2" BSP

STARK SLIDE RAIL KIT

CHROME

SRK/550/C



The information contained on this page was correct at the date of issue. Fitting dimensions are provided as a guide only. Some variation may occur due to manufacturing tolerances. We pursue a policy of continuing improvement in design and performance of our products and so reserve the right to change specifications without prior notice

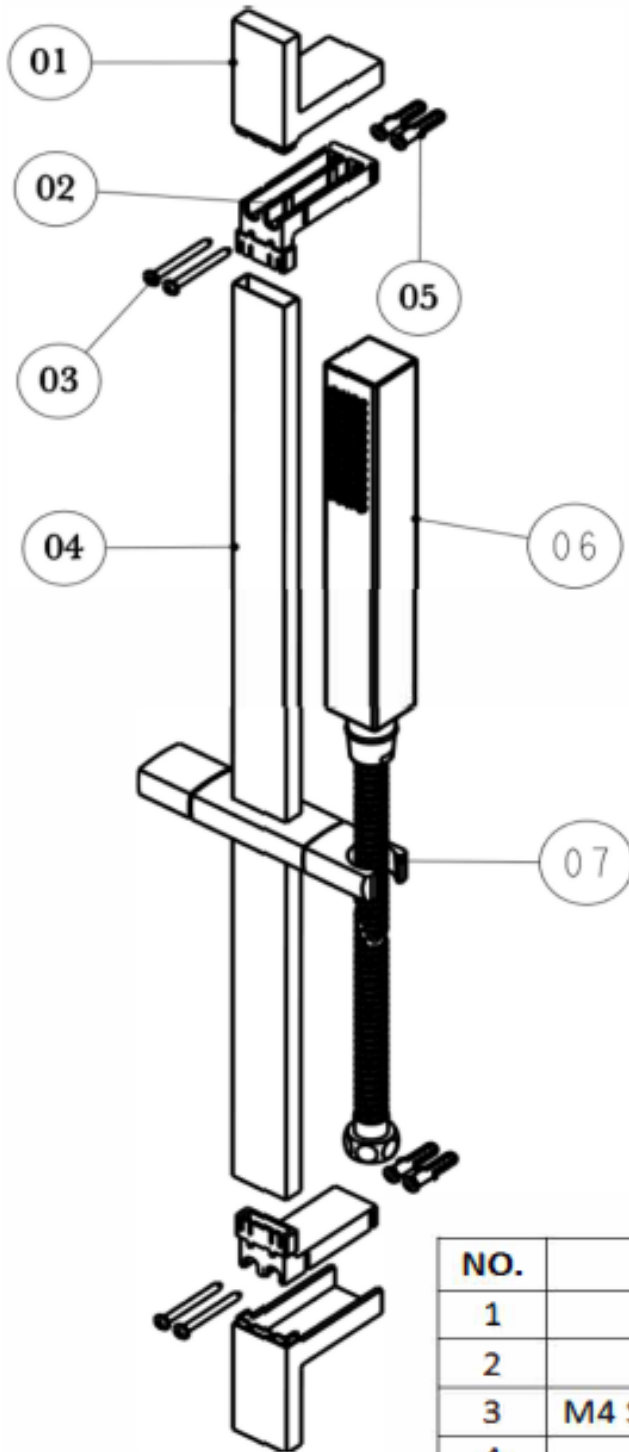
FOR FURTHER ADVICE PLEASE CONTACT :-

SAGITTARIUS LTD UNIT 1 LOWER VICTORIA STREET—CHADDERTON—OLDHAM—OL9 9TU TEL:0616 6202029

EMAIL:TECHNICAL@SAGITTARIUSTAPS.CO.UK

Flow Rates (Litres per minute)

System Pressure	0.1 Bar	0.2 Bar	0.3 Bar	0.5 Bar	1.0 Bar	1.5 Bar	2.0 Bar	3.0 Bar	4.0 Bar	5.0 Bar
	-	3.1	4.6	7.7	9.7	12.2	14.3	15.8	-	-



SR06

NO.	DESCRIPTION	QTY
1	PLASTIC COVER	2
2	PLASTIC BRACKET	2
3	M4 S/STEEL SELF-TAPPING SCREW	4
4	BRASS RAIL	1
5	M4 PLASTIC WALL PLUG	4
6	ABS SHOWER HANDSET	1
7	ABS HANDSET HOLDER	1
8	1.5M S/STEEL SHOWER HOSE	1

FOR FURTHER ADVICE PLEASE CONTACT :-

SAGITTARIUS LTD UNIT 1 LOWER VICTORIA STREET—CHADDERTON—OLDHAM—OL9 9TU TEL:0616 6202029

EMAIL:TECHNICAL@SAGITTARIUSTAPS.CO.UK