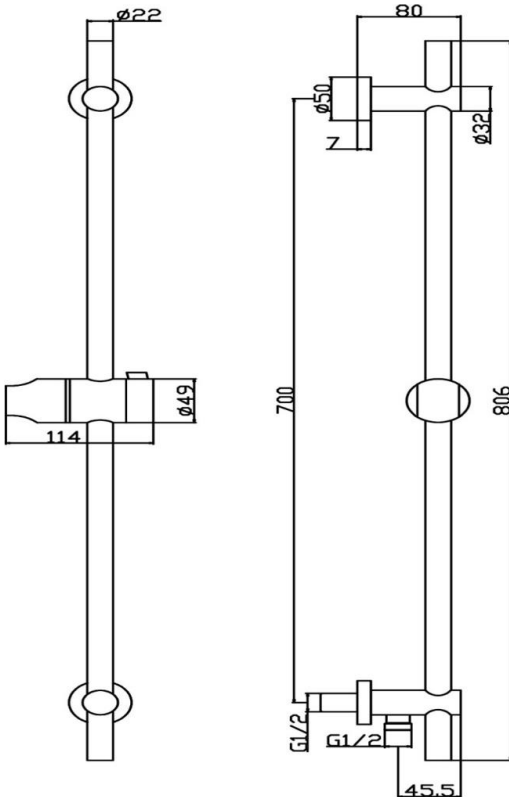


SAGITTARIUS

TAPS & SHOWERING

Construction	Brass, Stainless steel & ABS
Finishes	Chrome (Ni : 8-12um, Cr : 0.25-0.3um)
Product Type	Contemporary
Water Pressure	Min. 2.0 bar, Max. 6.0 bar
Fitting	Brass and ABS G1/2" BSP thread
Packaging	85.5 x 27.5 x 65cm / carton (10 boxes), Dimension: 83.5 x 12.5 x 12.5cm / box; Weight: 1.75Kg / box
Guarantee	1 year against manufacturing faults (excluding serviceable parts)
Additional Information	Chrome Brass 800mm Rail Chrome ABS 3 modes Shower handset Chrome adjustable ABS handset holder Chrome 1.5m smooth PVC shower hose

NARNI SLIDE RAIL KIT CW WALL OUTLET CHROME SRK/548/C



The information contained on this page was correct at the date of issue. Fitting dimensions are provided as a guide only. Some variation may occur due to manufacturing tolerances. We pursue a policy of continuing improvement in design and performance of our products and so reserve the right to change specifications without prior notice

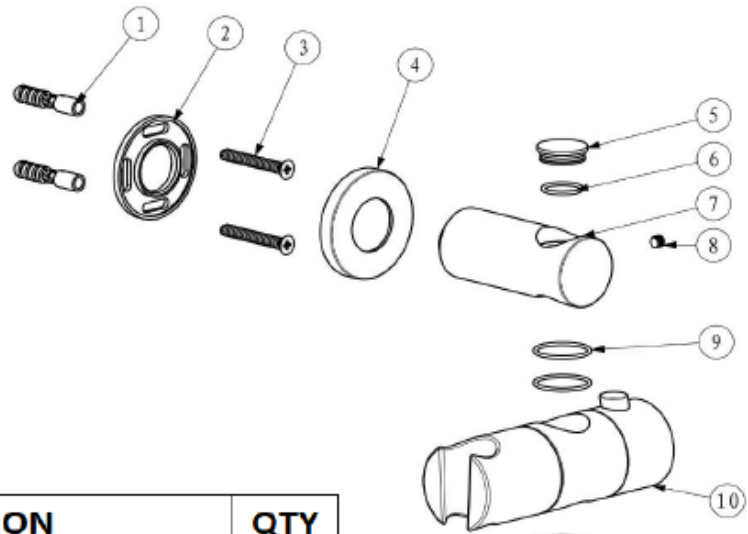
FOR FURTHER ADVICE PLEASE CONTACT :-

SAGITTARIUS LTD UNIT 1 LOWER VICTORIA STREET—CHADDERTON—OLDHAM—OL9 9TU TEL:0616 6202029

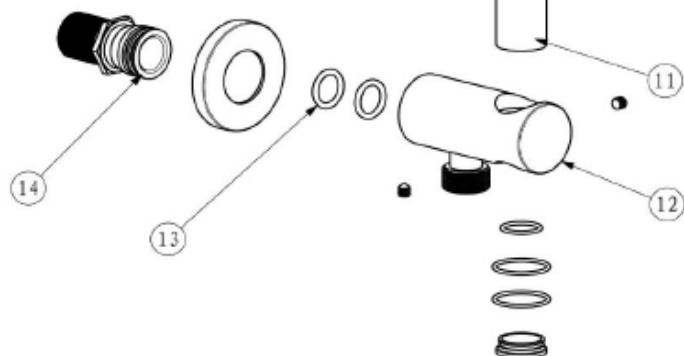
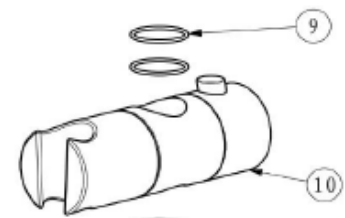
EMAIL:TECHNICAL@SAGITTARIUSTAPS.CO.UK

Flow Rates (Litres per minute)

System Pressure	0.1 Bar	0.2 Bar	0.3 Bar	0.5 Bar	1.0 Bar	1.5 Bar	2.0 Bar	3.0 Bar	4.0 Bar	5.0 Bar
	1.5	1.9	2.2	2.8	3.6	4.1	4.7	5.8	6.9	7.7



NO.	DESCRIPTION	QTY
1	ABS WALL PLUG	2
2	BRASS WALL BRACKET BASE	1
3	M4x30 S/STEEL SELF-TAPPING SCREW	2
4	BRASS BASE PLATE	2
5	BRASS RAIL END CAP	2
6	Ø14*2 NBR END CAP O-RING	2
7	BRASS RAIL CONNECTOR	1
8	M5x5 S/STEEL GRUB SCREW	3
9	Ø25*1.5 NBR O-RING	4
10	ABS HANDSET HOLDER	1
11	Ø22 BRASS RAIL	1
12	BRASS WALL OUTLET CONNECTOR	1
13	Ø18*2.5 NBR O-RING	2
14	BRASS INLET CONNECTOR	1



FOR FURTHER ADVICE PLEASE CONTACT :-

SAGITTARIUS LTD UNIT 1 LOWER VICTORIA STREET—CHADDERTON—OLDHAM—OL9 9TU TEL:0616 6202029

EMAIL:TECHNICAL@SAGITTARIUSTAPS.CO.UK