

SAGITTARIUS

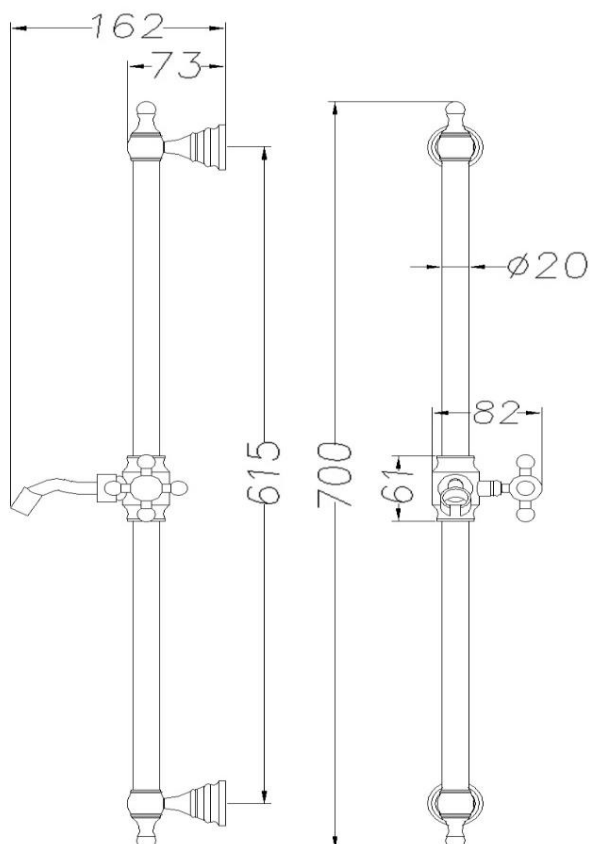
TAPS & SHOWERING

Construction	Brass Body (CuZn40Pb2), EN CW617N (equivalent to BS CZ122)
Finishes	Chrome plated to BS EN 248
Product Type	Contemporary
Water Pressure Tested Between	Min. 0.2 bar, Max. 6.0 bar
Handset	Brass & Ceramic Handset
Hose	Ø12mm bore SS304 Stainless steel Shower hose
Packaging	74.5 x 31 x 50cm / carton (10 boxes), Dimension: 72.5 x 13.5 x 9cm / box; Weight: 1.95Kg / box
Guarantee	1 year against manufacturing faults (excluding serviceable parts)
Additional Information	Chrome Brass Rail Chrome Brass adjustable Handset holder

VICTORIA SLIDE RAIL KIT

CHROME

SRK/546/C



The information contained on this page was correct at the date of issue. Fitting dimensions are provided as a guide only. Some variation may occur due to manufacturing tolerances. We pursue a policy of continuing improvement in design and performance of our products and so reserve the right to change specifications without prior notice

FOR FURTHER ADVICE PLEASE CONTACT :-

SAGITTARIUS LTD UNIT 1 LOWER VICTORIA STREET—CHADDERTON—OLDHAM—OL9 9TU TEL:0616 6202029

EMAIL:TECHNICAL@SAGITTARIUSTAPS.CO.UK

