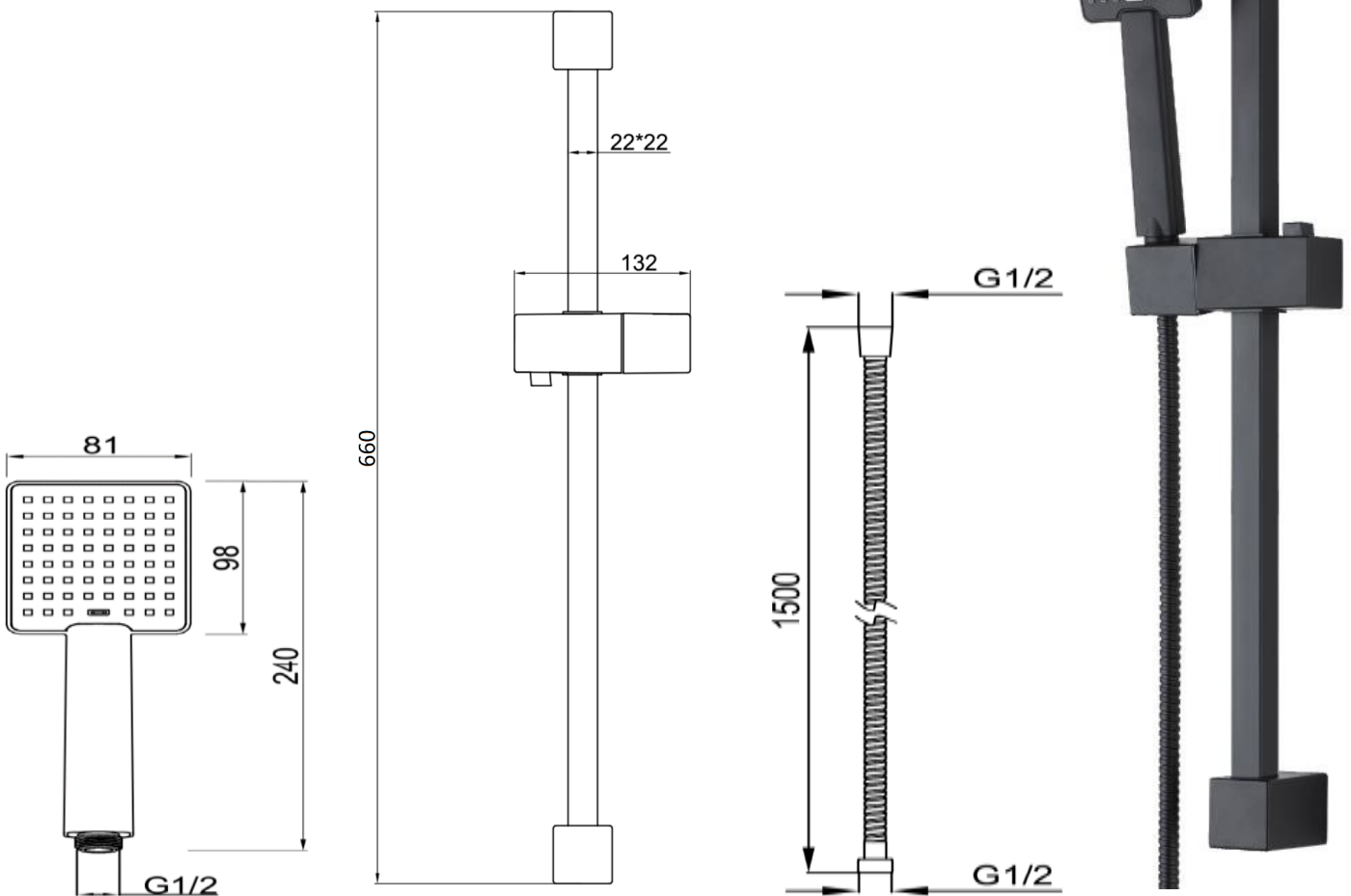


# SAGITTARIUS

## TAPS & SHOWERING

<b>Construction</b>	Stainless steel & ABS
<b>Finishes</b>	Matt Black
<b>Product Type</b>	Contemporary
<b>Water Pressure Tested Between</b>	Min 0.5 bar and Max 5.0 bar
<b>Guarantee</b>	1 year against manufacturing faults (excluding serviceable parts)
<b>Additional Information</b>	Matt black Stainless steel 610mm Rail Matt black adjustable ABS Handset holder Matt black ABS single mode Shower handset, G1/2" BSP Matt black Stainless steel 1.5m Shower hose, G1/2" BSP

**IMPULSE CUBE LP SLIDE RIL  
KIT BLACK  
SRK/533/B**

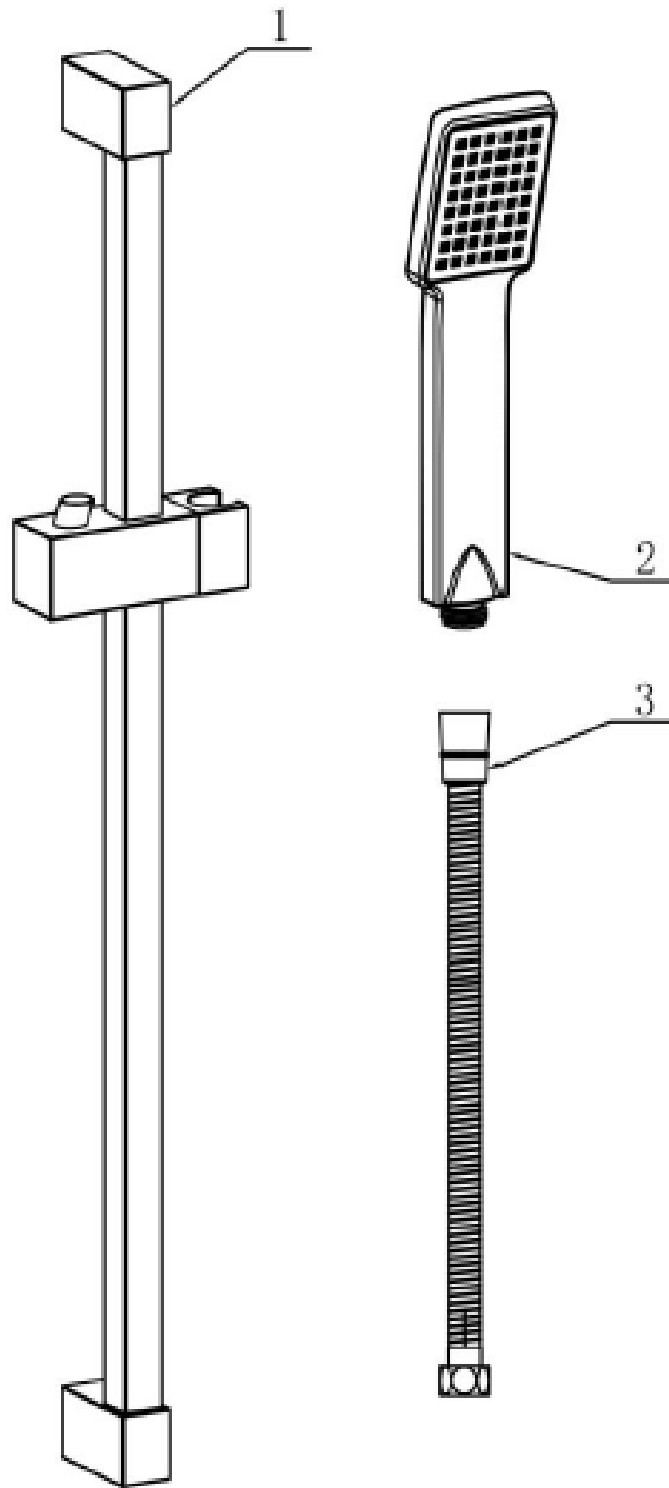


The information contained on this page was correct at the date of issue. Fitting dimensions are provided as a guide only. Some variation may occur due to manufacturing tolerances. We pursue a policy of continuing improvement in design and performance of our products and so reserve the right to change specifications without prior notice

FOR FURTHER ADVICE PLEASE CONTACT :-

SAGITTARIUS LTD UNIT 1 LOWER VICTORIA STREET—CHADDERTON—OLDHAM—OL9 9TU TEL:0616 6202029

EMAIL:TECHNICAL@SAGITTARIUSTAPS.CO.UK



Shower Slider Rail Kit

NO.	ITEM CODE	DESCRIPTION	QTY
1	SR34-1	SQUARE SLIDING RAIL	1
2	SR34-2	1.5M SHOWER HOSE	1
3	SR34-3	SQUARE HANDSHOWER	1