

SAGITTARIUS

TAPS & SHOWERING

Construction Brass Body, Zinc alloy Handle

Finishes Chrome plated

Product Type Contemporary

Water Pressure Test-
ed Between Min. 0.2 bar (handset) 0.2 bar (spout),
Max. 6.0 bar

Guarantee 10 years against manufacturing faults
(excluding serviceable parts)

**SHERO EASY BOX FREE
STANDING BATH MIXER
SR/174**

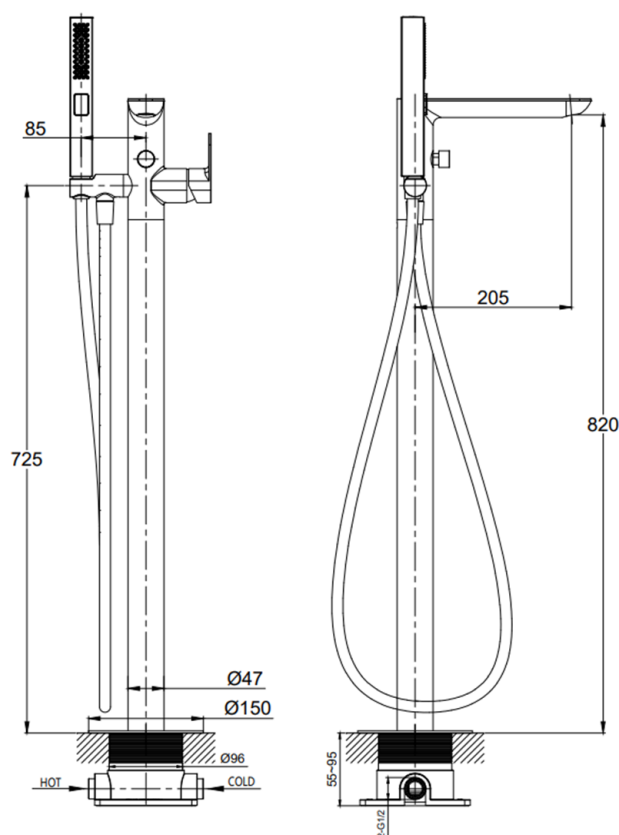
Operating Water Pressure



COMBI BOILER



HIGH PRESSURE
1.2 - 1.5+ bar



The information contained on this page was correct at the date of issue. Fitting dimensions are provided as a guide only. Some variation may occur due to manufacturing tolerances. We pursue a policy of continuing improvement in design and performance of our products and so reserve the right to change specifications without prior notice

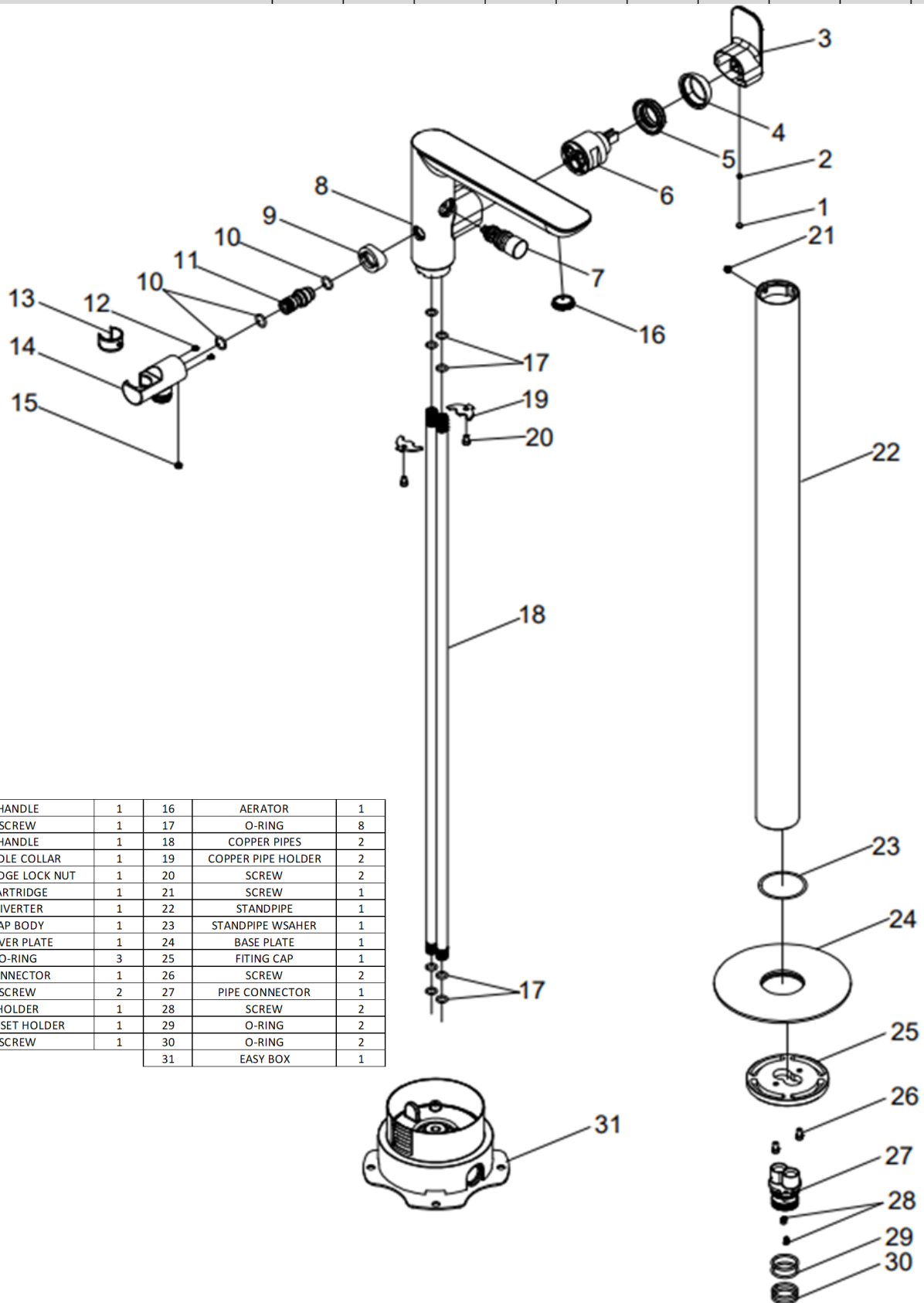
FOR FURTHER ADVICE PLEASE CONTACT :-

SAGITTARIUS LTD UNIT 1 LOWER VICTORIA STREET—CHADDERTON—OLDHAM—OL9 9TU TEL:0616 6202029

EMAIL:TECHNICAL@SAGITTARIUSTAPS.CO.UK

Flow Rates (Litres per minute)

System Pressure	0.1 Bar	0.2 Bar	0.3 Bar	0.5 Bar	1.0 Bar	1.5 Bar	2.0 Bar	3.0 Bar	4.0 Bar	5.0 Bar
(SPOUT)	-	-	-	13.7	16.2	-	20.9	26.5	28.9	33.0
(HANDSET)	-	-	-	6.2	7.4	-	9.8	11.9	13.5	15.2



1	HANDLE	1	16	AERATOR	1
2	SCREW	1	17	O-RING	8
3	HANDLE	1	18	COPPER PIPES	2
4	HANDLE COLLAR	1	19	COPPER PIPE HOLDER	2
5	CARTRIDGE LOCK NUT	1	20	SCREW	2
6	CARTRIDGE	1	21	SCREW	1
7	DIVERTER	1	22	STANDPIPE	1
8	TAP BODY	1	23	STANDPIPE WASHER	1
9	COVER PLATE	1	24	BASE PLATE	1
10	O-RING	3	25	FITING CAP	1
11	CONNECTOR	1	26	SCREW	2
12	SCREW	2	27	PIPE CONNECTOR	1
13	HOLDER	1	28	SCREW	2
14	HANDSET HOLDER	1	29	O-RING	2
15	SCREW	1	30	O-RING	2
			31	EASY BOX	1

FOR FURTHER ADVICE PLEASE CONTACT :-

SAGITTARIUS LTD UNIT 1 LOWER VICTORIA STREET—CHADDERTON—OLDHAM—OL9 9TU TEL:0616 6202029

EMAIL:TECHNICAL@SAGITTARIUSTAPS.CO.UK