

SAGITTARIUS

TAPS & SHOWERING

Construction Brass Body, Zinc alloy Handle

Finishes Chrome plated

Product Type Contemporary

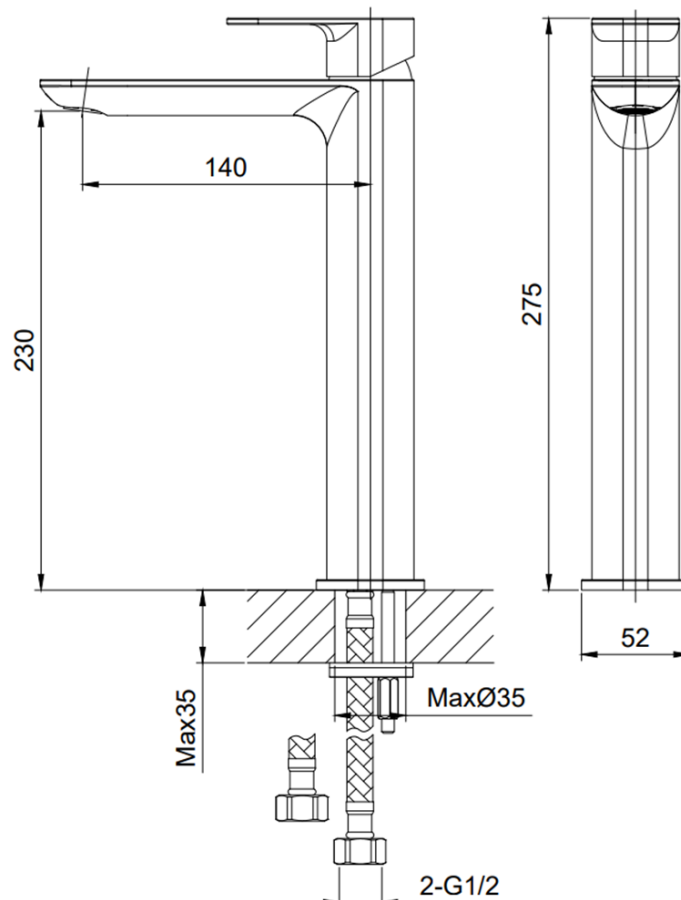
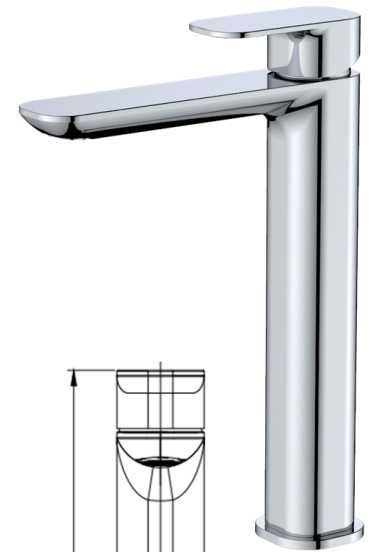
**Water Pressure Test-
ed Between** Min. 0.2 bar, Max. 6.0 bar

Guarantee 10 years against manufacturing faults
(excluding serviceable parts)

Operating Water Pressure



**SHERO DECK MOUNTED
TALL MONO BASIN MIXER
SR/109**



The information contained on this page was correct at the date of issue. Fitting dimensions are provided as a guide only. Some variation may occur due to manufacturing tolerances. We pursue a policy of continuing improvement in design and performance of our products and so reserve the right to change specifications without prior notice

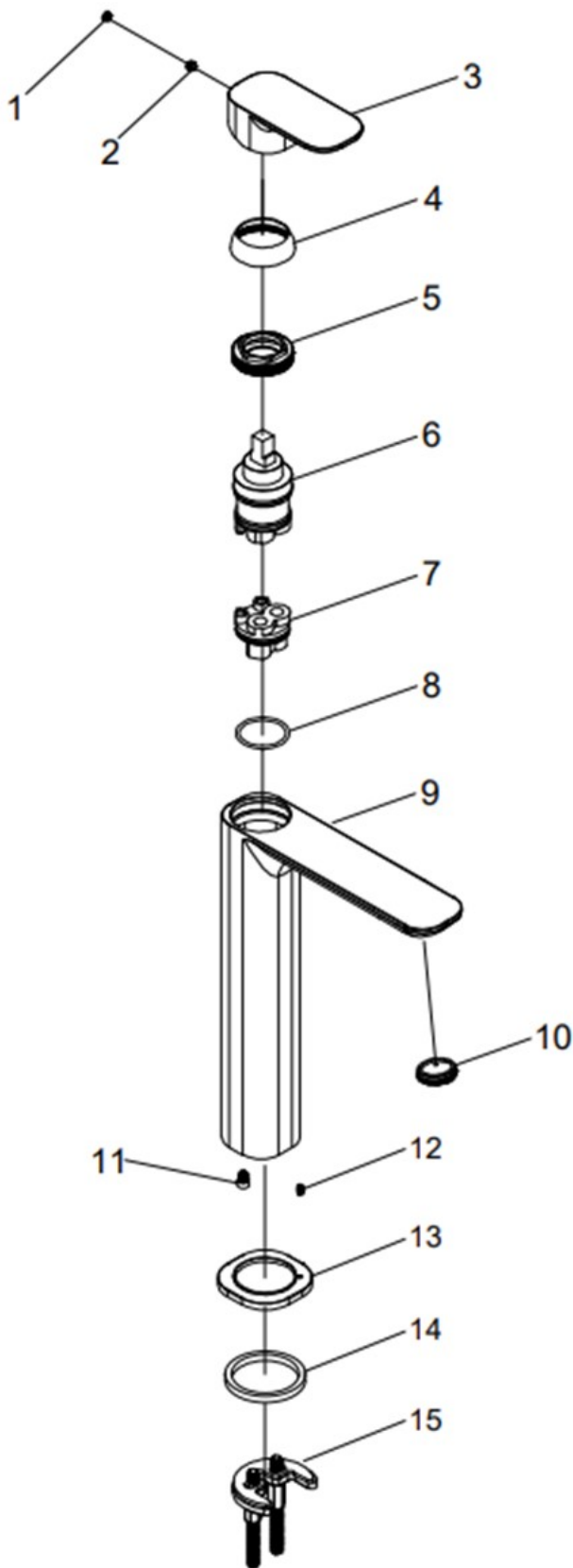
FOR FURTHER ADVICE PLEASE CONTACT :-

SAGITTARIUS LTD UNIT 1 LOWER VICTORIA STREET—CHADDERTON—OLDHAM—OL9 9TU TEL:0616 6202029

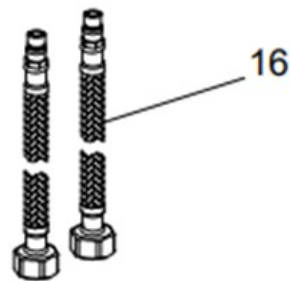
EMAIL:TECHNICAL@SAGITTARIUSTAPS.CO.UK

Flow Rates (Litres per minute)

System Pressure	0.1 Bar	0.2 Bar	0.3 Bar	0.5 Bar	1.0 Bar	1.5 Bar	2.0 Bar	3.0 Bar	4.0 Bar	5.0 Bar
	-	-	-	10.5	12.2	-	16.4	19.8	22.5	25.2



1	COVER CAP	1
2	GRUB SCREW	1
3	HANDLE	1
4	HANDLE COLLAR	1
5	CARTRIDGE LOCK NUT	1
6	CARTRIDGE	1
7	CARTRIDGE BASE	1
8	O-RING	1
9	TOP BODY	1
10	AERATOR	1
11	SCREW	1
12	SCREW	1
13	BASE PLATE	1
14	BASE PLATE WASHER	1
15	HORSE-SHOE PLATE	1
16	FLEXI-TAILS	2



FOR FURTHER ADVICE PLEASE CONTACT :-

SAGITTARIUS LTD UNIT 1 LOWER VICTORIA STREET—CHADDERTON—OLDHAM—OL9 9TU TEL:0616 6202029

EMAIL:TECHNICAL@SAGITTARIUSTAPS.CO.UK