

SAGITTARIUS

TAPS & SHOWERING

Construction Brass Body, Zinc alloy Handle

Finishes Chrome plated

Product Type Contemporary

**Water Pressure Test-
ed Between** Min. 0.2 bar, Max. 6.0 bar

Guarantee 10 years against manufacturing faults
(excluding serviceable parts)

Operating Water Pressure



LOW PRESSURE
0.2-0.5 bar

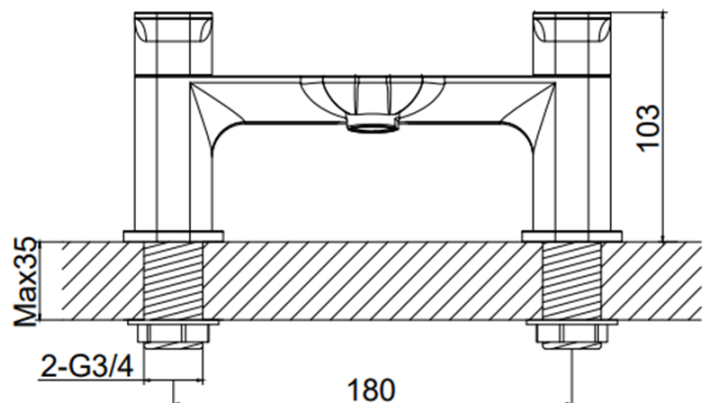
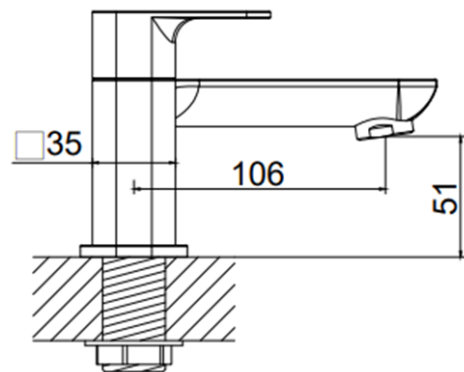


COMBI BOILER



HIGH PRESSURE
1.2-1.5+ bar

SHERO DECK MOUNTED BATH FILLER



The information contained on this page was correct at the date of issue. Fitting dimensions are provided as a guide only. Some variation may occur due to manufacturing tolerances. We pursue a policy of continuing improvement in design and performance of our products and so reserve the right to change specifications without prior notice

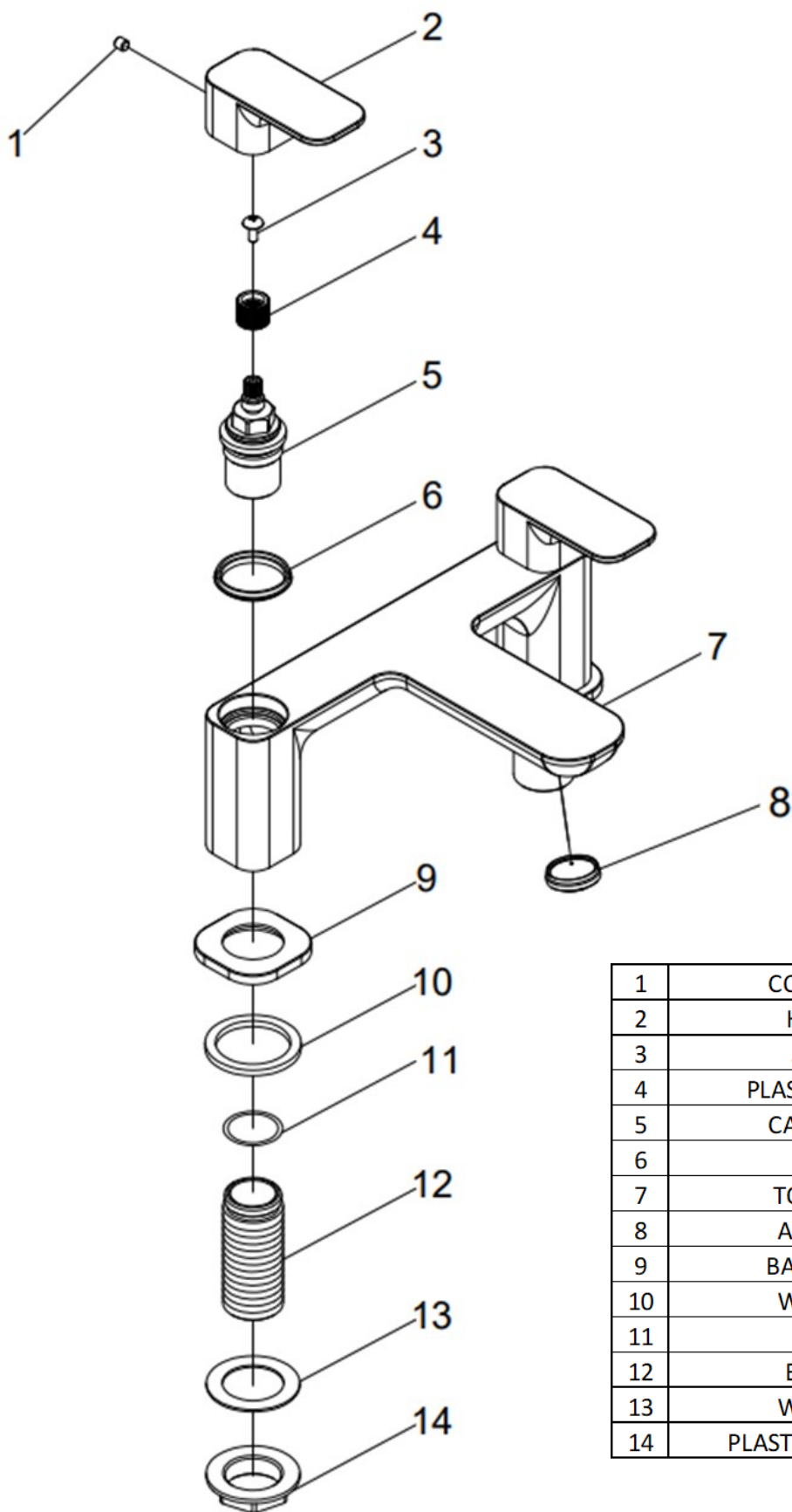
FOR FURTHER ADVICE PLEASE CONTACT :-

SAGITTARIUS LTD UNIT 1 LOWER VICTORIA STREET—CHADDERTON—OLDHAM—OL9 9TU TEL:0616 6202029

EMAIL:TECHNICAL@SAGITTARIUSTAPS.CO.UK

Flow Rates (Litres per minute)

System Pressure	0.1 Bar	0.2 Bar	0.3 Bar	0.5 Bar	1.0 Bar	1.5 Bar	2.0 Bar	3.0 Bar	4.0 Bar	5.0 Bar
	-	-	-	18.2	21.7	-	28.5	34.8	39.6	-



1	COVER CAP	2
2	HANDLE	2
3	SCREW	2
4	PLASTIC INSERT	2
5	CARTRIDGE	2
6	O-RING	2
7	TOP BODY	1
8	AERATOR	1
9	BASE PLATE	2
10	WASHERS	2
11	O-RING	2
12	BSP TAIL	2
13	WASHERS	2
14	PLASTIC LOCK NUT	2

FOR FURTHER ADVICE PLEASE CONTACT :-

SAGITTARIUS LTD UNIT 1 LOWER VICTORIA STREET—CHADDERTON—OLDHAM—OL9 9TU TEL:0616 6202029

EMAIL:TECHNICAL@SAGITTARIUSTAPS.CO.UK