

SAGITTARIUS

TAPS & SHOWERING

Construction Brass Body (H59-1), equivalent to BS CZ122 / EN CW617N / CuZn40Pb2; Brass Base plate; Stainless steel grub screws

Finishes Chrome plated to BS EN 248

Product Type Contemporary

Water Pressure Tested Between Fitting Min. 0.1 bar, Max. 6.0 bar

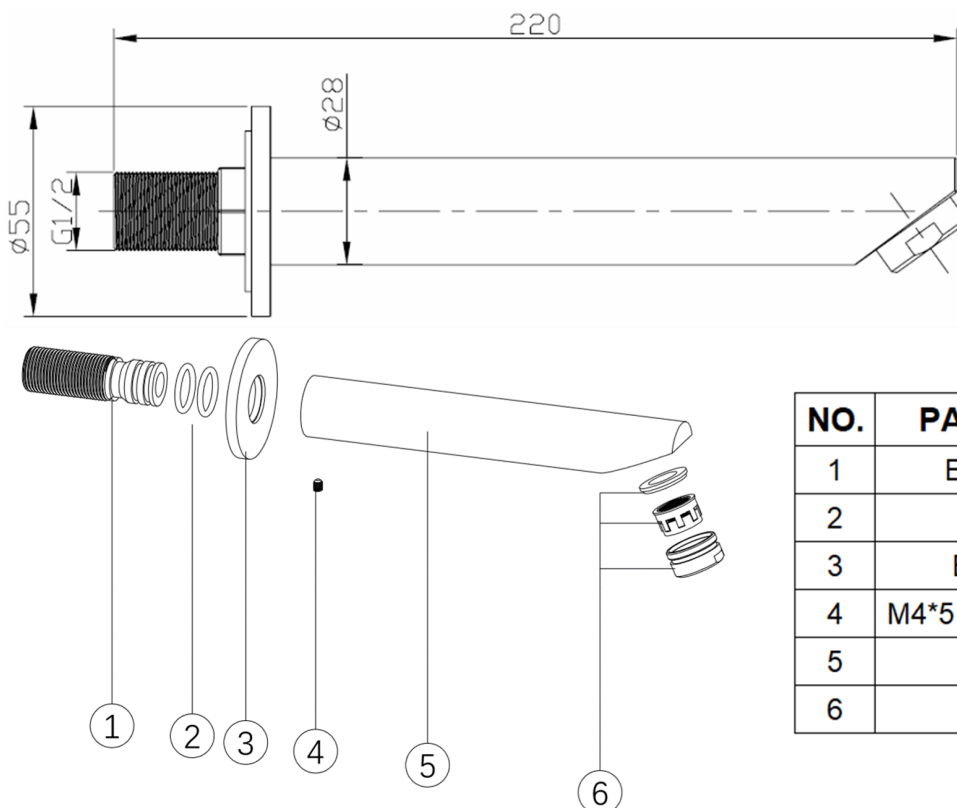
Fitting Brass G1/2" BSP tail

Guarantee 1 year against manufacturing faults (excluding serviceable parts)

Additional Information M24*1 Spout aerator

170mm 1/2" LINEA BATH
SPOUT CHROME

SP/028/C



NO.	PARTS DESCRIPTION	QTY
1	BRASS CONNECTOR	1
2	20*2 NBR O-RING	2
3	BRASS BASE PLATE	1
4	M4*5 S/STEEL GRUB SCREW	1
5	BRASS SPOUT	1
6	M24*1 AERATOR	1

The information contained on this page was correct at the date of issue. Fitting dimensions are provided as a guide only. Some variation may occur due to manufacturing tolerances. We pursue a policy of continuing improvement in design and performance of our products and so reserve the right to change specifications without prior notice

FOR FURTHER ADVICE PLEASE CONTACT :-

SAGITTARIUS LTD UNIT 1 LOWER VICTORIA STREET—CHADDERTON—OLDHAM—OL9 9TU TEL:0616 6202029

EMAIL:TECHNICAL@SAGITTARIUSTAPS.CO.UK