

SAGITTARIUS

TAPS & SHOWERING

Construction Brass Body & Spout (H59), equivalent to BS CZ122 / EN CW617N / CuZn40Pb2; Brass Base plate (H62)

Finishes Chrome (Ni : 8-12um, Cr : 0.25-0.3um)

Product Type Contemporary

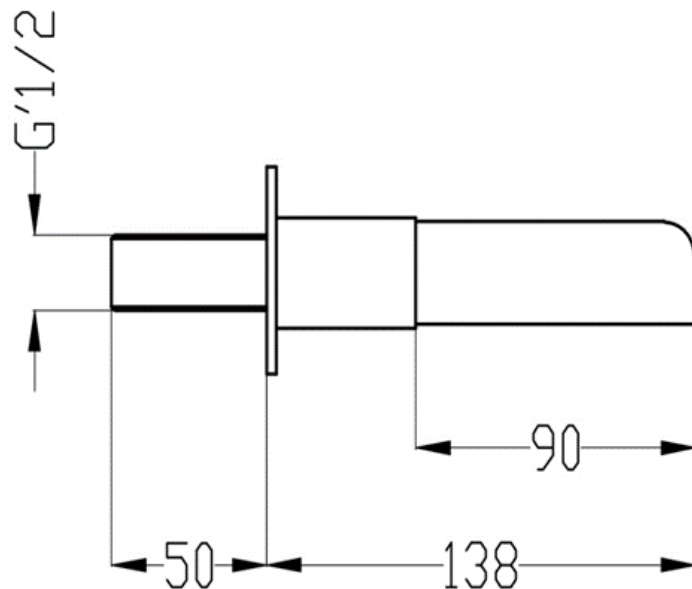
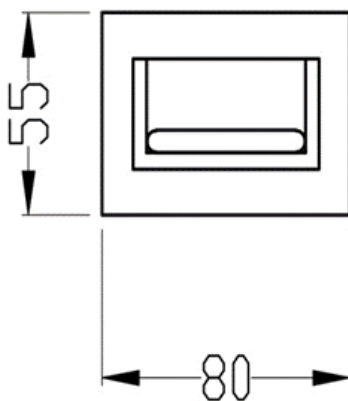
Water Pressure Tested Between Min. 0.5 bar, Max. 6.0 bar

Standards Complies with BS5412, BS EN200

Fitting Brass G1/2" BSP spout connector tail

Guarantee 10 years against manufacturing faults (excluding serviceable parts)

1/2" 135 x 60mm NICE
CASCADE BASIN SPOUT
CHROME
SP/025/C

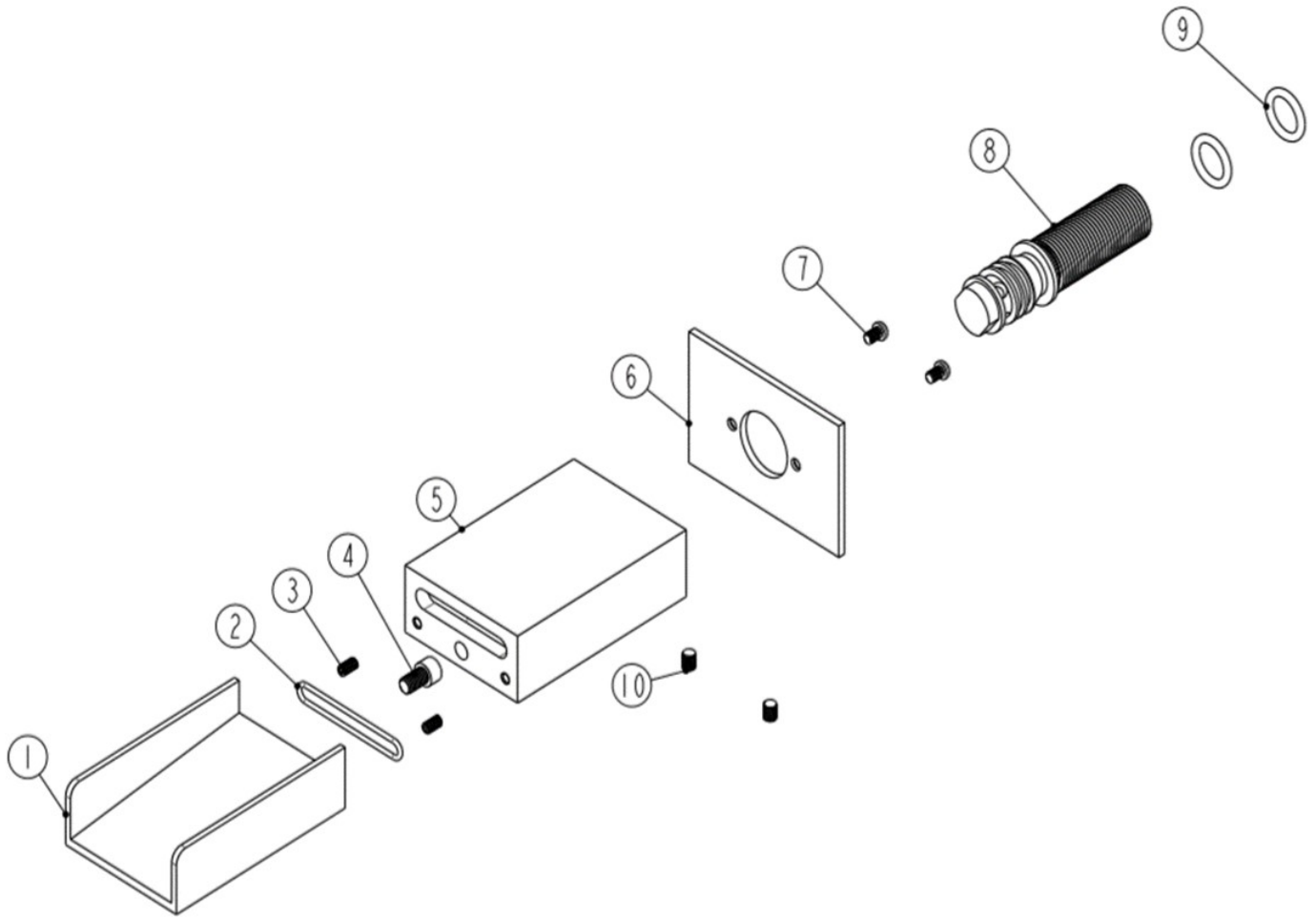


The information contained on this page was correct at the date of issue. Fitting dimensions are provided as a guide only. Some variation may occur due to manufacturing tolerances. We pursue a policy of continuing improvement in design and performance of our products and so reserve the right to change specifications without prior notice

FOR FURTHER ADVICE PLEASE CONTACT :-

SAGITTARIUS LTD UNIT 1 LOWER VICTORIA STREET—CHADDERTON—OLDHAM—OL9 9TU TEL:0616 6202029

EMAIL:TECHNICAL@SAGITTARIUSTAPS.CO.UK



NO.	PARTS DESCRIPTION	QTY
1	BRASS SPOUT	1
2	NBR O-RING	1
3	M4x7 S/STEEL GRUB SCREW	2
4	M6x10 SS304 GRUB SCREW	1
5	BRASS VALVE BODY	1
6	80*55*3 BRASS FACE PLATE	1
7	M4x6 S/STEEL SCREW	2
8	BRASS SPOUT CONNECTOR	1
9	Ø20*3 NBR O-RING	2
10	M5x7 S/STEEL GRUB SCREW	2

FOR FURTHER ADVICE PLEASE CONTACT :-

SAGITTARIUS LTD UNIT 1 LOWER VICTORIA STREET—CHADDERTON—OLDHAM—OL9 9TU TEL:0616 6202029

EMAIL:TECHNICAL@SAGITTARIUSTAPS.CO.UK