

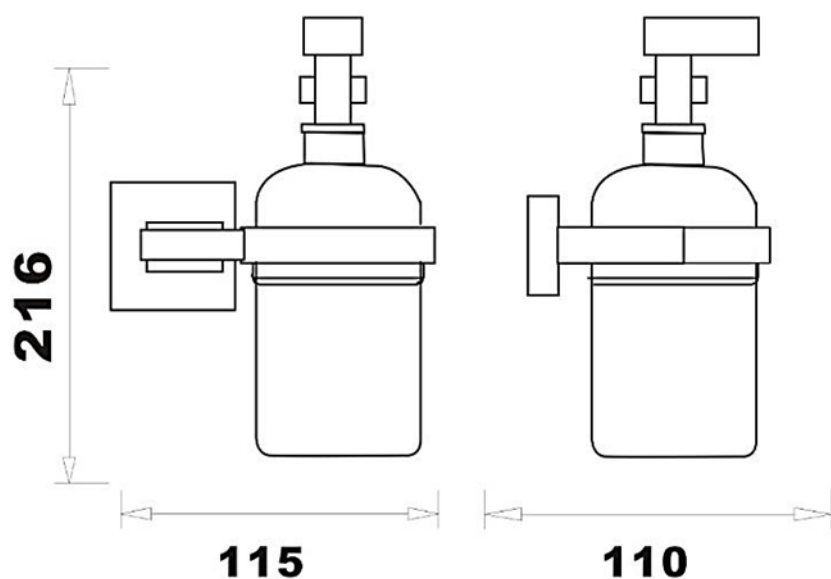
# SAGITTARIUS

## TAPS & SHOWERING

### SIENA SOAP DISPENSER

SIA/726

<b>Construction</b>	Brass & ceramic
<b>Finishes</b>	Chrome plated
<b>Product Type</b>	Contemporary
<b>Standards</b>	Complies with BS5412, BS EN200



The information contained on this page was correct at the date of issue. Fitting dimensions are provided as a guide only. Some variation may occur due to manufacturing tolerances. We pursue a policy of continuing improvement in design and performance of our products and so reserve the right to change specifications without prior notice

FOR FURTHER ADVICE PLEASE CONTACT :-

SAGITTARIUS LTD UNIT 1 LOWER VICTORIA STREET—CHADDERTON—OLDHAM—OL9 9TU TEL:0616 6202029

EMAIL:TECHNICAL@SAGITTARIUSTAPS.CO.UK