

SAGITTARIUS

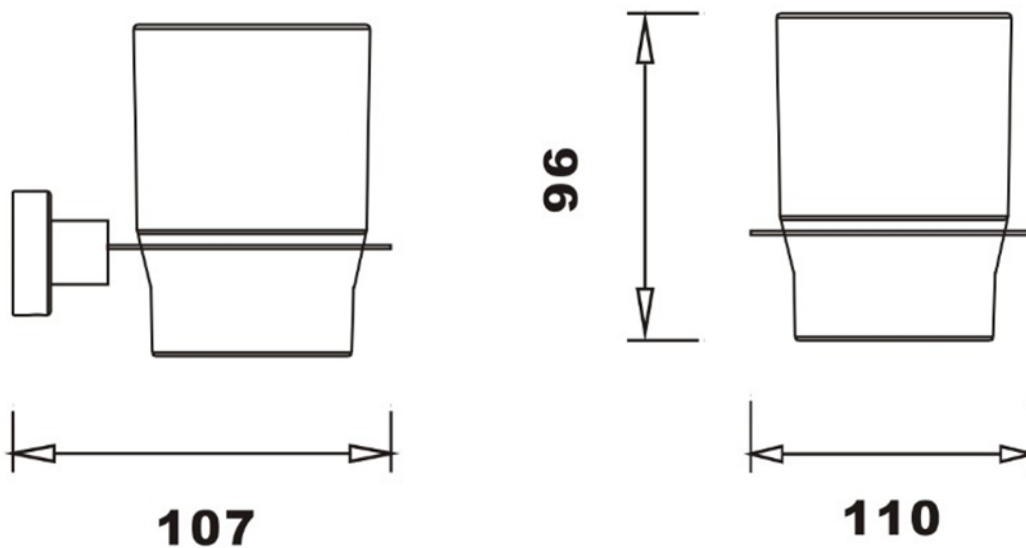
TAPS & SHOWERING

Construction	Brass & ceramic
Finishes	Matt Black
Product Type	Contemporary
Standards	Complies with BS5412, BS EN200
Guarantee	5 year against manufacturing faults (excluding Ceramic or Glass parts)

SIENA TUMBLER HOLDER

MATT BLACK

SIA/722/B



The information contained on this page was correct at the date of issue. Fitting dimensions are provided as a guide only. Some variation may occur due to manufacturing tolerances. We pursue a policy of continuing improvement in design and performance of our products and so reserve the right to change specifications without prior notice

FOR FURTHER ADVICE PLEASE CONTACT :-

SAGITTARIUS LTD UNIT 1 LOWER VICTORIA STREET—CHADDERTON—OLDHAM—OL9 9TU TEL:0616 6202029

EMAIL:TECHNICAL@SAGITTARIUSTAPS.CO.UK