

SAGITTARIUS

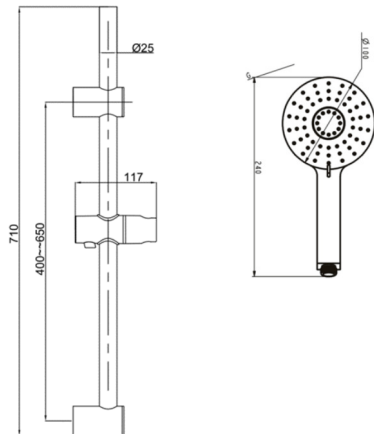
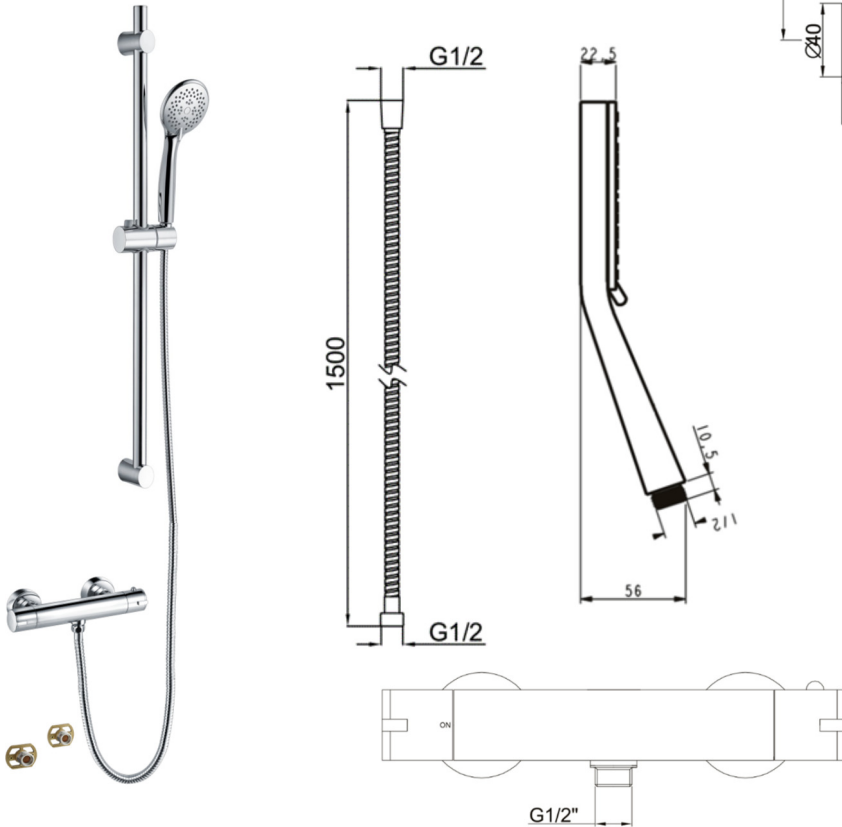
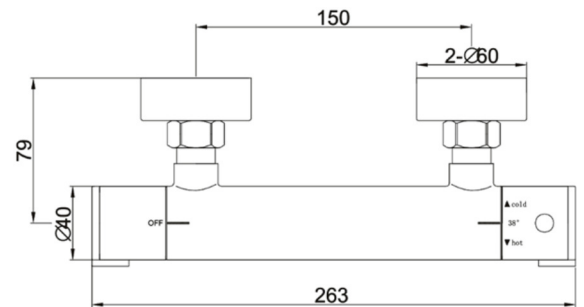
TAPS & SHOWERING

SIRIO HP (EASY FIT)

SHOWER PACK CHROME

SHOW61

- Construction** Brass Body (CuZn38Pb18)
Finishes Chrome plated to BS EN 248
Product Type Contemporary
Water Pressure Min. 0.5 bar, Max. 6.0 bar
Plumbing Systems Suitable for all plumbing systems, preferably balanced. Min. supply pressure differential requirement is 5:1
Standards Complies with BSEN 1111
Certification Manufactured to comply with WRAS, TMV2
Cartridge Thermostatic
Fitting Easy Fit
Diverter Ceramic disc
Check valve 0.5-10 gpm
Packaging 73x31.5x39.5cm/carton(10pcs), Box size: 71.5x15x7.5cm, Weight: 2.46kg/pcs
Guarantee 10 years against manufacturing faults (excluding serviceable parts).
Additional Information 1. Temperature: Pre-set 38°C, with push button override to 48°C.
 2. Automatic shut off in the event of hot or cold water supply failure.
 3. Shower handset : Chrome, ABS, 3 modes
 4. Shower hose : 1.5m stainless steel
 5. Adjustable bracket stainless steel slider rail



Flow Rates (Litres per minute)

System Pressure	0.1 Bar	0.2 Bar	0.3 Bar	0.5 Bar	1.0 Bar	1.5 Bar	2.0 Bar	3.0 Bar	4.0 Bar	5.0 Bar
SHOW61	6.0	7.0	-	8.5	12.0	14.0	18.5	22.0	-	-

The information contained on this page was correct at the date of issue. Fitting dimensions are provided as a guide only. Some variation may occur due to manufacturing tolerances. We pursue a policy of continuing improvement in design and performance of our products and so reserve the right to change specifications without prior notice

FOR FURTHER ADVICE PLEASE CONTACT :-

SAGITTARIUS LTD UNIT 1 LOWER VICTORIA STREET—CHADDERTON—OLDHAM—OL9 9TU TEL:0616 6202029

EMAIL:TECHNICAL@SAGITTARIUSTAPS.CO.UK

NO.	DESCRIPTION	QTY
1	ROUND THERMOSTATIC VALVE BODY	1
2	QUARTER-TURN CARTRIDGE	1
3	WASHER	2
4	SAFETY BUTTON	1
5	DIVERTOR HANDLE	1
6	HANDLE COVER	2
7	SCREW	2
8	THERMOSTATIC CARTRIDGE	1
9	MOUNTING NUT	1
10	THERMOSTATIC HANDLE	1
11	HPb59-1	2
12	CHECK VALVE	2
13	CONNECTOR	2
14	O RING	2
15	COVER	1
16	MOUNTING NUT	1
17	O RING	1
18	G1/2" CONNECTOR	1
19	ROUND WALL COVERS	2
20	FILTER WASHER	2
21	OFF-SET CONNECTORS	2
22	SEAL CONNECTOR	1
23	O RING	1
24	SRPING	1
25	WASHER	2
26	COVER	1
27	1.5M SHOWER HOSE	1
28	ROUND HANDSHOWER	1
29	SLIDING RAIL	1

