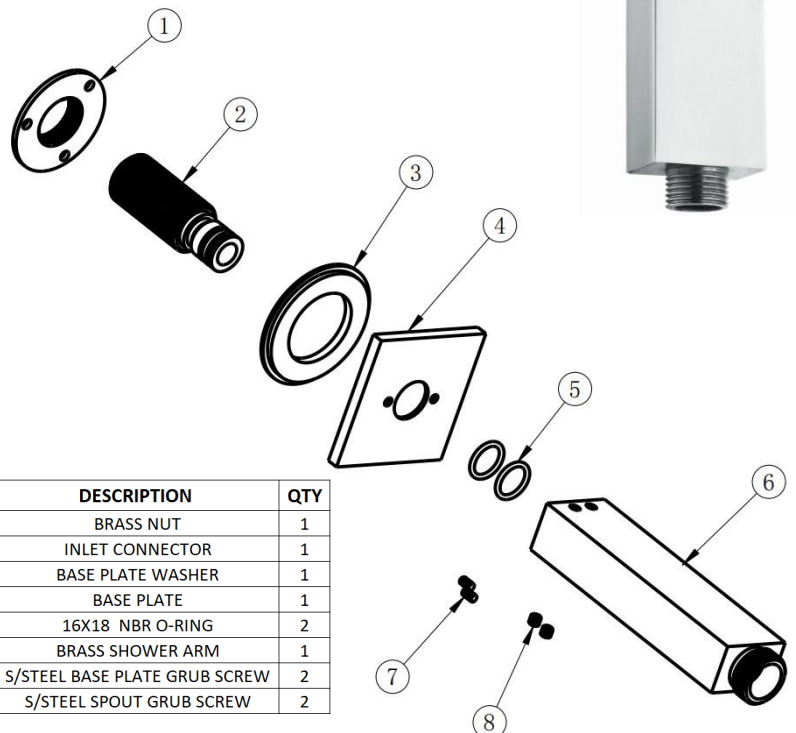
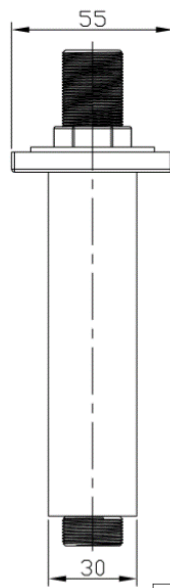
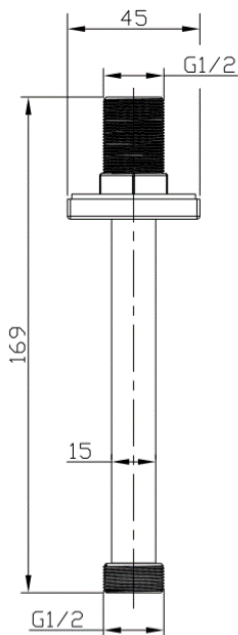


SAGITTARIUS

TAPS & SHOWERING

Construction	Brass Body (CuZn38Pb18)
Finishes	Chrome plated to BS EN 248
Product Type	Contemporary
Plumbing Systems	Suitable for all plumbing systems
Certification	Manufactured to comply with WRAS
Fitting	G1/2" BSP external (male) thread
Packaging	68.5 x 39 x 35cm / carton (100 boxes), Dimension: 18.6 x 6.6 x 6.6cm / box; Weight: 0.33Kg / box
Guarantee	5 years against manufacturing faults (excluding serviceable parts)
Additional Information	Length: 120mm

120mm CUBE CEILING ARM CHROME SHA/393/C



No.	DESCRIPTION	QTY
1	BRASS NUT	1
2	INLET CONNECTOR	1
3	BASE PLATE WASHER	1
4	BASE PLATE	1
5	16X18 NBR O-RING	2
6	BRASS SHOWER ARM	1
7	S/STEEL BASE PLATE GRUB SCREW	2
8	S/STEEL SPOUT GRUB SCREW	2

The information contained on this page was correct at the date of issue. Fitting dimensions are provided as a guide only. Some variation may occur due to manufacturing tolerances. We pursue a policy of continuing improvement in design and performance of our products and so reserve the right to change specifications without prior notice

FOR FURTHER ADVICE PLEASE CONTACT :-

SAGITTARIUS LTD UNIT 1 LOWER VICTORIA STREET—CHADDERTON—OLDHAM—OL9 9TU TEL:0616 6202029

EMAIL:TECHNICAL@SAGITTARIUSTAPS.CO.UK