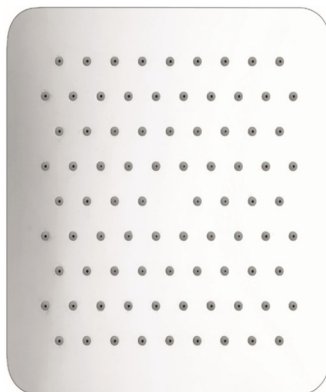
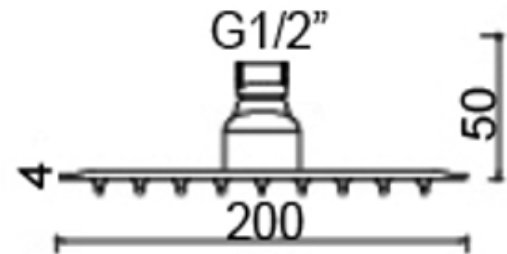


SAGITTARIUS

TAPS & SHOWERING

Finishes	Chrome
Product Type	Contemporary
Water Pressure	Min 0.2bar and Max 5.0bar
Plumbing Systems	Suitable for all plumbing systems
Standards	-
Certification	-
Weight(net)	0.15kg/piece
Size	200 x 200 mm
Fitting	G1/2"
Packaging	45.5 x 44 x 40cm / carton (20 boxes / carton)
Guarantee	1 year against manufacturing faults (excluding serviceable parts).
Additional Information	1. Swivel connector : Brass 2. Rub-clean rubber nozzle 3. Aerator/Induction

**MORELLA SLIM 200 X200 MM
SQUARE HEAD AND ARM
SH/800/C**



Flow Rates (Litres per minute)

System Pressure	0.1 Bar	0.2 Bar	0.3 Bar	0.5 Bar	1.0 Bar	1.5 Bar	2.0 Bar	3.0 Bar	4.0 Bar	5.0 Bar
SH/800/C	4.3	7.5	10.0	12.1	13.3	14.5	16.2	18.2	19.8	21.4

The information contained on this page was correct at the date of issue. Fitting dimensions are provided as a guide only. Some variation may occur due to manufacturing tolerances. We pursue a policy of continuing improvement in design and performance of our products and so reserve the right to change specifications without prior notice

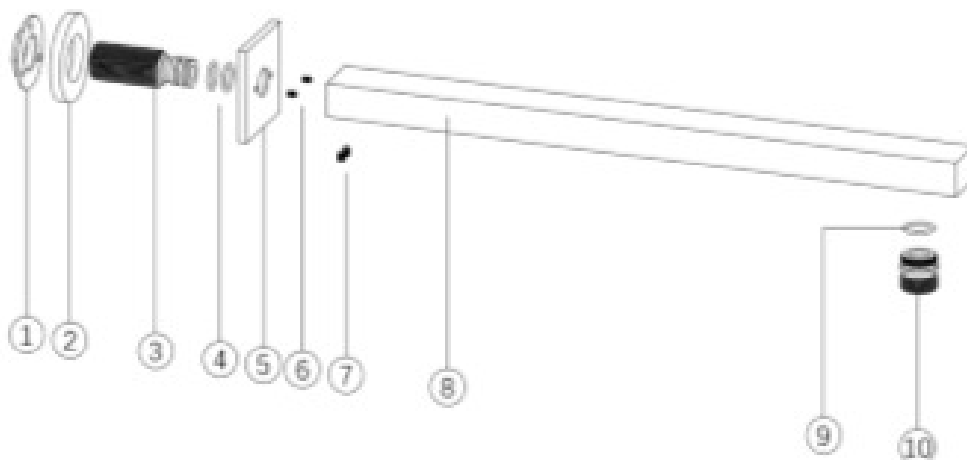
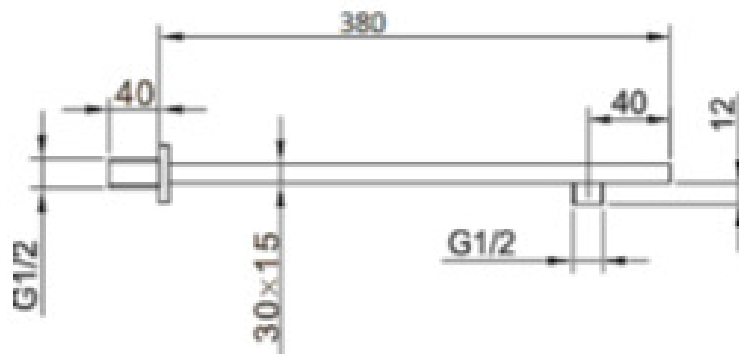
FOR FURTHER ADVICE PLEASE CONTACT :-

SAGITTARIUS LTD UNIT 1 LOWER VICTORIA STREET—CHADDERTON—OLDHAM—OL9 9TU TEL:0616 6202029

EMAIL:TECHNICAL@SAGITTARIUSTAPS.CO.UK

Construction
Finishes
Product Type
Plumbing Systems
Certification
Fitting
Packaging
Guarantee

Brass Body (CuZn38Pb18)
 Chrome plated to BS EN 248
 Contemporary
 Suitable for all plumbing systems
 -
 G1/2" BSP
 73 x 48 x 37cm / carton (50 boxes / carton)
 5 years against manufacturing faults (excluding serviceable parts).



10	SHOWER CONNECTOR	1
9	O-RING	1
8	BODY	1
7	SCREW	2
6	SCREW	2
5	BASE PLATE	1
4	O-RING	2
3	CONNECTOR	1
2	WASHER	1
1	BACK NUT	1
No.	DESCRIPTION	QTY

The information contained on this page was correct at the date of issue. Fitting dimensions are provided as a guide only. Some variation may occur due to manufacturing tolerance.
 We pursue a policy of continuing improvement in design and performance of our products and so reserve the right to change specifications without prior notice.

FOR FURTHER ADVICE PLEASE CONTACT :-

SAGITTARIUS LTD UNIT 1 LOWER VICTORIA STREET—CHADDERTON—OLDHAM—OL9 9TU TEL:0616 6202029

EMAIL:TECHNICAL@SAGITTARIUSTAPS.CO.UK