

SAGITTARIUS

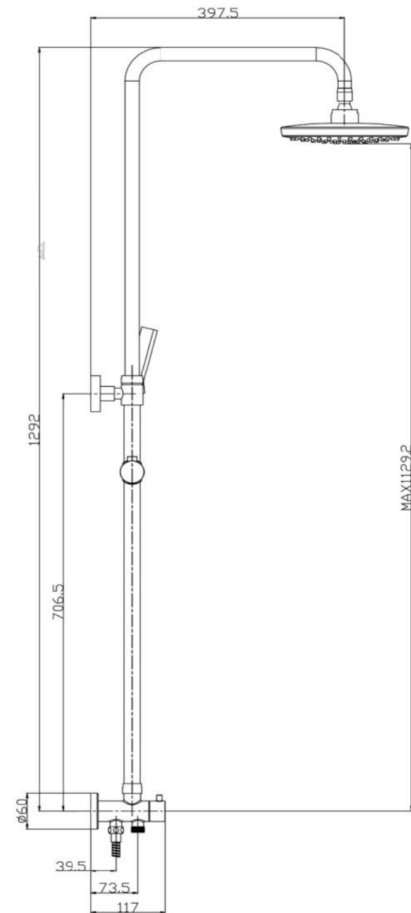
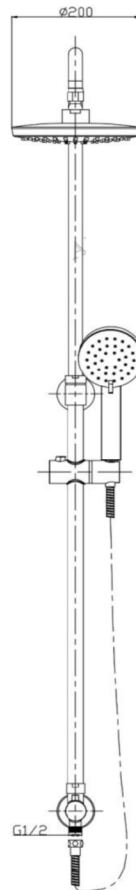
TAPS & SHOWERING

Finishes	Brass Body (CuZn38Pb18)
Product Type	Chrome plated to BS EN 248
Water Pressure	Contemporary
Plumbing Systems	Min. 0.5 bar, Max. 6.0 bar
	Suitable for all plumbing systems, preferably balanced. Min. supply pressure differential requirement is 5:1
Standards	Complies with BSEN 1111
Certification	-
Cartridge	1/4 Turn 1/2" Ceramic Disc Divertor Cartridge
Fitting	3/4" BSP
Packaging	92 x 40 x 68cm / carton (5 boxes / carton)
Guarantee	10 years against manufacturing faults (excluding serviceable parts).
Additional Information	1. Shower head : Chrome , Ø200mm, ABS 2. Shower handset : Chrome , ABS, 3 mode 3. Shower hose : Stainless steel , 1.5m & 1.0m 4. Stainless steel adjustable riser rail

TROPIC RIGID RISER

CHROME

SH/675/C



Flow Rates (Litres per minute)

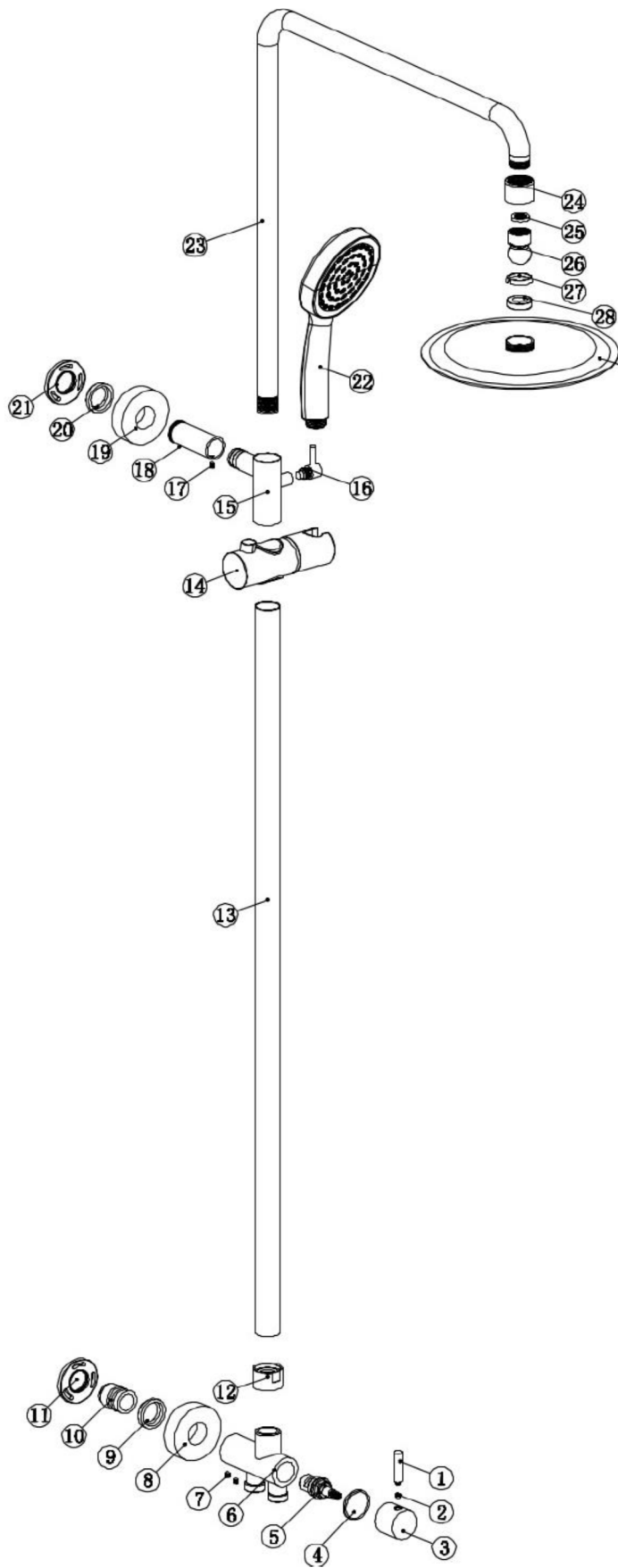
System Pressure	0.1 Bar	0.2 Bar	0.3 Bar	0.5 Bar	1.0 Bar	1.5 Bar	2.0 Bar	3.0 Bar	4.0 Bar	5.0 Bar
SH/675/C					11.5	13.9	16.1	19.9	23.1	26.0

The information contained on this page was correct at the date of issue. Fitting dimensions are provided as a guide only. Some variation may occur due to manufacturing tolerances. We pursue a policy of continuing improvement in design and performance of our products and so reserve the right to change specifications without prior notice

FOR FURTHER ADVICE PLEASE CONTACT :-

SAGITTARIUS LTD UNIT 1 LOWER VICTORIA STREET—CHADDERTON—OLDHAM—OL9 9TU TEL:0616 6202029

EMAIL:TECHNICAL@SAGITTARIUSTAPS.CO.UK



No	Name	Qty
29	Shower head	1
28	Washer	1
27	Clamp ring	1
26	Ball connector	1
25	Filter	1
24	Nut	1
23	Riser Rail	1
22	Handset	1
21	Fixing plate	1
20	O Ring	1
19	Wall plate	1
18	Connector	1
17	Grub	1
16	Tighting handle	1
15	Rail connector	1
14	Handset holder	1
13	Rail	1
12	Rail nut	1
11	Fixing plate	1
10	Connector	1
9	O Ring	1
8	Wall plate	1
7	Grub	2
6	Diverter	1
5	Diverter cartridge	1
4	O Ring	1
3	Handle	1
2	Grub	1
1	Handle lever	1