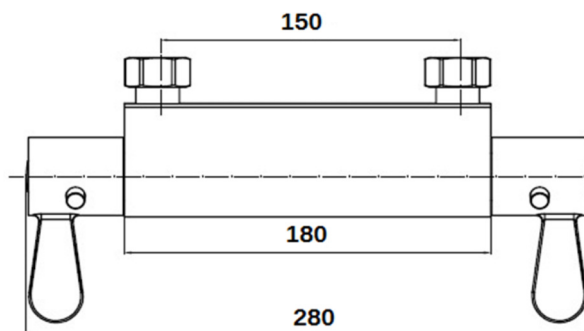
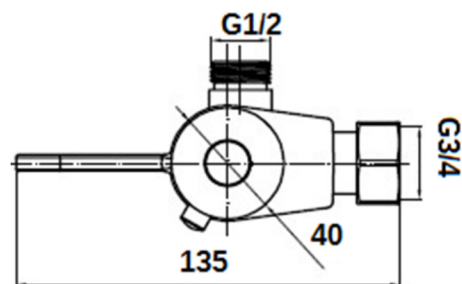


SAGITTARIUS

TAPS & SHOWERING

THERMOSTATIC TMV3 LEVER EXP SHOWER VALVE SH/631/C

Construction	Brass Body
Finishes	Chrome plated to BS EN 248
Product Type	Contemporary
Water Pressure	Min. 0.5 bar, Max. 6.0 bar
Plumbing Systems	Suitable for all plumbing systems, preferably balanced. Min. supply pressure differential requirement is 5:1
Standards	N.H.S. Model Engineering Specifications- D08 Thermostatic Mixing Valve (Healthcare Premises).
Certification	Manufactured to comply with TMV3 and WRAS Approved
Cartridge	Thermostatic, Ceramic disc valve
Fitting	1/2" BSP offset inlet connectors
Check valve	0.5-10gpm
Packaging	43 x 39 x 18cm / carton (10 boxes / carton) 34.5 x 8 x 8cm inner box
Guarantee	10 years against manufacturing faults (excluding serviceable parts).
Additional Information	<ol style="list-style-type: none"> 1. Temperature: Pre-set 38°C, with push button override to 48°C. 2. Automatic shut off in the event of hot or cold water supply failure. 3. Independent flow and temperature controls for easy use. 4. Eco stop button for economical showering. 5. Reliable thermostatic performance.



Flow Rates (Litres per minute)

System Pressure	0.1 Bar	0.2 Bar	0.3 Bar	0.5 Bar	1.0 Bar	1.5 Bar	2.0 Bar	3.0 Bar	4.0 Bar	5.0 Bar
SH/631/C	2.0	2.5	3.2	5.0	7.3	-	11.2	13.5	-	-

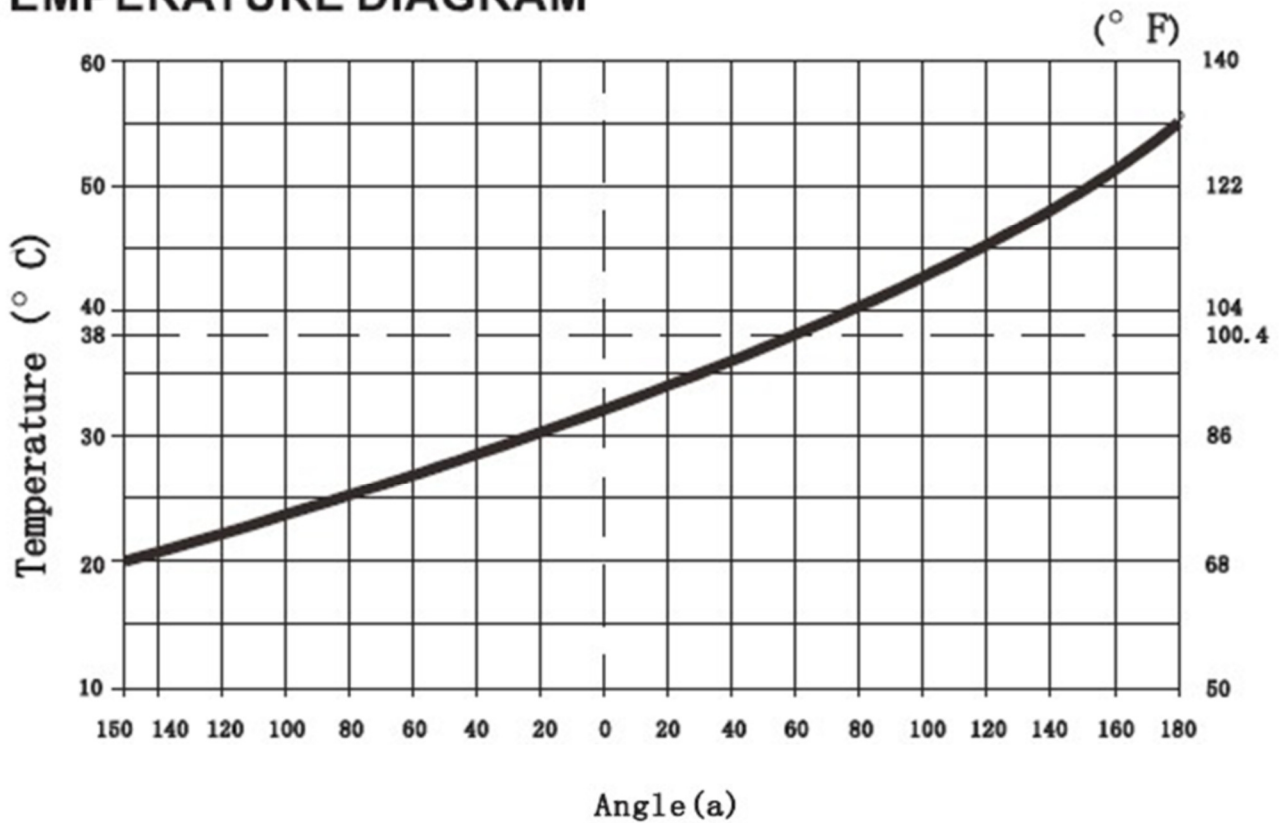
The information contained on this page was correct at the date of issue. Fitting dimensions are provided as a guide only. Some variation may occur due to manufacturing tolerances. We pursue a policy of continuing improvement in design and performance of our products and so reserve the right to change specifications without prior notice

FOR FURTHER ADVICE PLEASE CONTACT :-

SAGITTARIUS LTD UNIT 1 LOWER VICTORIA STREET—CHADDERTON—OLDHAM—OL9 9TU TEL:0616 6202029

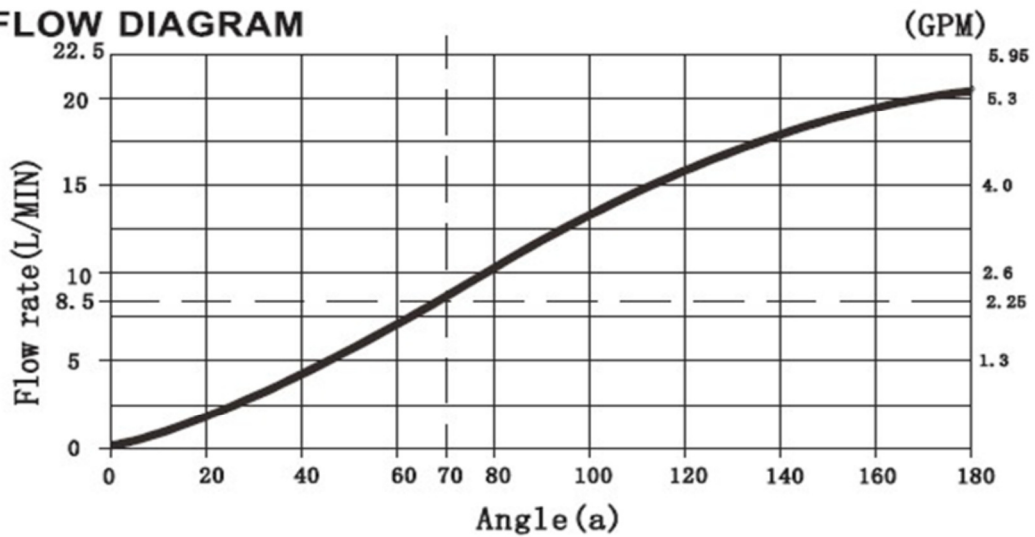
EMAIL:TECHNICAL@SAGITTARIUSTAPS.CO.UK

TEMPERATURE DIAGRAM



The optimum thermostatic temperature control range of mixer: 35°C~45°C(95°F~113°F).

FLOW DIAGRAM



Flow rate @ 3bar(43.5psi) inlet pressure and 38°C (100.4°F) preset temperature curve is for reference only. The actual pressure drop may vary depending on inlet temperature and pressure.

The information contained on this page was correct at the date of issue. Fitting dimensions are provided as a guide only. Some variation may occur due to manufacturing tolerances. We pursue a policy of continuing improvement in design and performance of our products and so reserve the right to change specifications without prior notice

APPROVED FOR USING IN THE FOLLOWING DESIGNATIONS

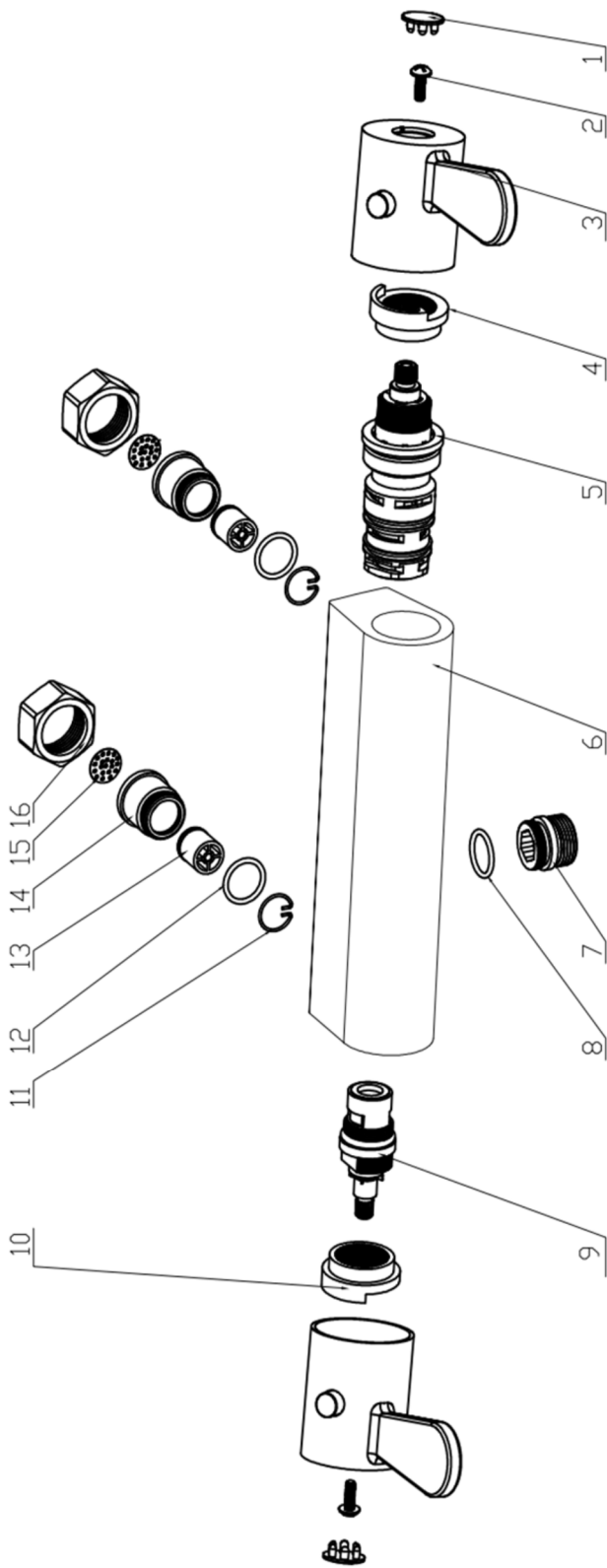
CODE	HIGH PRESSURE	APPLICATION
HP-S	OPERATING PRESSURE	SHOWER
LP-SE	LOW PRESSURE	SHOWER

CONDITIONS FOR NORMAL USE

Operating pressure range	High pressure	Low pressure
Maximum static pressure-bar	10 (145psi)	10 (145psi)
Maximum hot temperature	85°C(185°F)	85°C(185°F)
Flow pressure, hot and cold-bar	1 to 5 (14.5psi to 72.5psi)	0.2 to 1 (2.9psi to 14.5psi)
Hot supply temperature-°C	52-65 (125.6-149°F)	52-65 (125.6-149°F)
Cold supply temperature-°C	5 to 20 (41-68°F)	5 to 20 (41-68°F)
Minimum temperature differential (cold/hot to mixed water)	10°C(50°F)	10°C(50°F)

The information contained on this page was correct at the date of issue. Fitting dimensions are provided as a guide only. Some variation may occur due to manufacturing tolerances. We pursue a policy of continuing improvement in design and performance of our products and so reserve the right to change specifications without prior notice

FOR FURTHER ADVICE PLEASE CONTACT :-
 SAGITTARIUS LTD UNIT 1 LOWER VICTORIA STREET—CHADDERTON—OLDHAM—OL9 9TU TEL:0616 6202029
 EMAIL:TECHNICAL@SAGITTARIUSTAPS.CO.UK



16	Inlet Nut	2
15	Filter Washer	2
14	Connector	2
13	Check Valve	2
12	O-ring	2
11	Clip	2
10	Indice	1
9	Compression Turn Cartridge	1
8	O-ring	1
7	Connector	1
6	Thermostatic Valve Body	1
5	Thermostatic Cartridge	1
4	Mounting Nut	1
3	Thermostatic Handle	2
2	Screw	2
1	Handle Cover	2
No.	Name	Qty.

The information contained on this page was correct at the date of issue. Fitting dimensions are provided as a guide only. Some variation may occur due to manufacturing tolerances. We pursue a policy of continuing improvement in design and performance of our products and so reserve the right to change specifications without prior notice

FOR FURTHER ADVICE PLEASE CONTACT :-
 SAGITTARIUS LTD UNIT 1 LOWER VICTORIA STREET—CHADDERTON—OLDHAM—OL9 9TU TEL:0616 6202029
 EMAIL:TECHNICAL@SAGITTARIUSTAPS.CO.UK