

# SAGITTARIUS

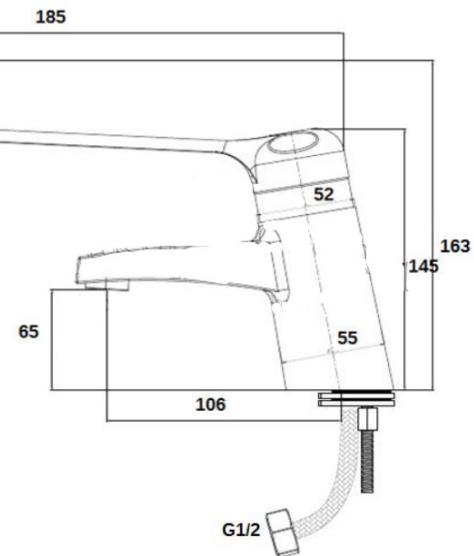
## TAPS & SHOWERING

### THERMOSTATIC TMV3

### SEQUENTIAL BASIN MIXER

### SH/630/C

<b>Construction</b>	Brass Body
<b>Finishes</b>	Chrome plated to BS EN 248
<b>Product Type</b>	Contemporary
<b>Water Pressure</b>	Min. 0.2 bar, Max. 6.0 bar
<b>Plumbing Systems</b>	Suitable for all plumbing systems
<b>Standards</b>	N.H.S. Model Engineering Specifications- D08 Thermostatic Mixing Valve (Healthcare Premises).
<b>Certification</b>	TMV3 and WRAS Approved
<b>Cartridge</b>	Thermostatic
<b>Aerator</b>	Air Aerator
<b>Fitting</b>	15mm compression unions or 1/2" BSP male available
<b>Guarantee</b>	10 years against manufacturing faults (excluding serviceable parts).
<b>Additional Information</b>	<ol style="list-style-type: none"> <li>1. Simple to use, single lever sequential control.</li> <li>2. Easy to install, fits all single hole basin.</li> <li>3. Integrated hoses with check valves and strainers.</li> <li>4. Sequential operation from Off to Cold and Warm to Maximum blending temperature preset at 41° C, which can be adjusted if required.</li> <li>5. Approved for High and Low Operating Pressure.</li> </ol>



### Flow Rates (Litres per minute)

System Pressure	0.1 Bar	0.2 Bar	0.3 Bar	0.5 Bar	1.0 Bar	1.5 Bar	2.0 Bar	3.0 Bar	4.0 Bar	5.0 Bar
SH/630/C				8.70	12.90		16.40	23.00		31.0

The information contained on this page was correct at the date of issue. Fitting dimensions are provided as a guide only. Some variation may occur due to manufacturing tolerances. We pursue a policy of continuing improvement in design and performance of our products and so reserve the right to change specifications without prior notice

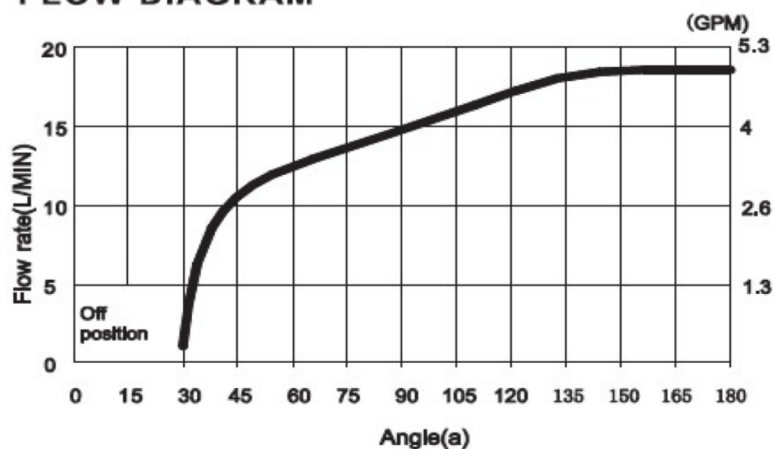
FOR FURTHER ADVICE PLEASE CONTACT :-

SAGITTARIUS LTD UNIT 1 LOWER VICTORIA STREET—CHADDERTON—OLDHAM—OL9 9TU TEL:0616 6202029

EMAIL:TECHNICAL@SAGITTARIUSTAPS.CO.UK

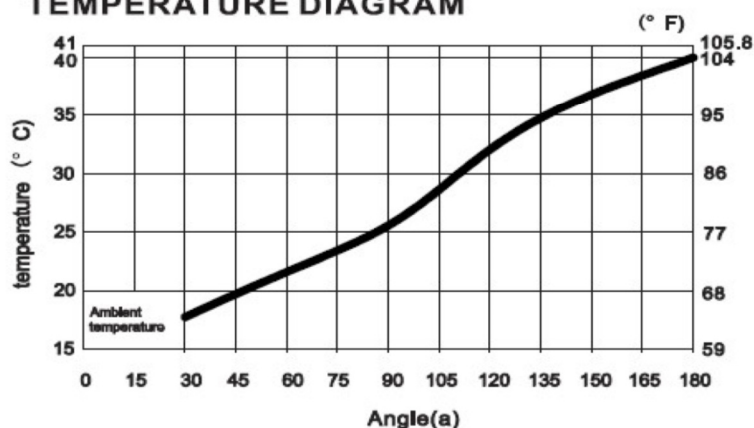
## Exploded diagram EL/149/C

### FLOW DIAGRAM



Flow rate curve is for reference only. The actual pressure drop may vary depending on system temperature and pressure.

### TEMPERATURE DIAGRAM



### CONDITIONS FOR NORMAL USE

Operating pressure range	High pressure	Low pressure
Maximum static pressure-bar	10 (145psi)	10 (145psi)
Maximum hot temperature	85°C (185°F)	85°C (185°F)
Flow pressure, hot and cold-bar	1 to 5 (14.5psi to 72.5psi)	0.2 to 1 (14.5psi to 72.5psi)
Hot supply temperature-°C	52-65 (125.6-149°F)	52-65 (125.6-149°F)
Cold supply temperature-°C	5 to 20 (41-68°F)	5 to 20 (41-68°F)
Minimum temperature differential (cold/hot to mixed water)	10°C (50°F)	10°C (50°F)

**NOTE:** Basin mixer operating outside these conditions cannot be guaranteed by the scheme to operate as Type 3 valves.

The information contained on this page was correct at the date of issue. Fitting dimensions are provided as a guide only. Some variation may occur due to manufacturing tolerances. We pursue a policy of continuing improvement in design and performance of our products and so reserve the right to change specifications without prior notice

FOR FURTHER ADVICE PLEASE CONTACT :-  
SAGITTARIUS LTD UNIT 1 LOWER VICTORIA STREET—CHADDERTON—OLDHAM—OL9 9TU TEL:0616 6202029  
EMAIL:TECHNICAL@SAGITTARIUSTAPS.CO.UK