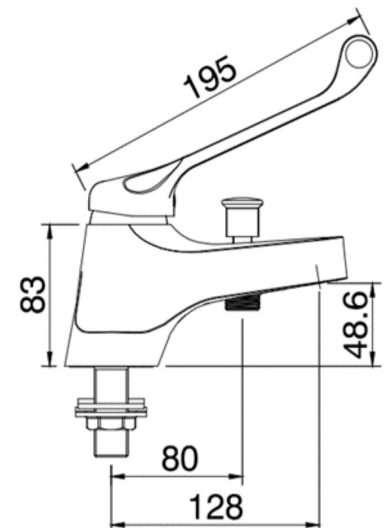
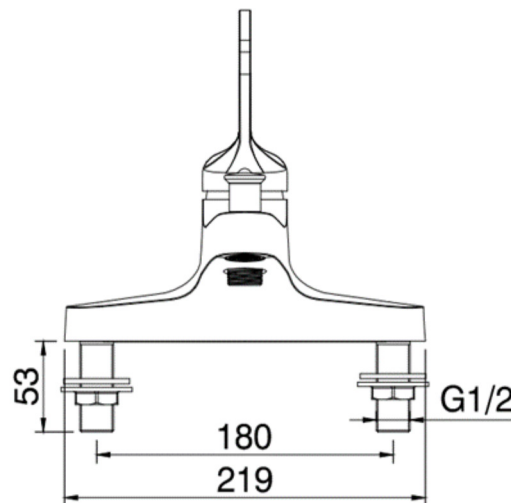


SAGITTARIUS

TAPS & SHOWERING

THERMOSTATIC EXTENDED LEVER TMV2 BSM CHROME SH/629/C

Construction	Brass Body (CuZn40Pb18)
Finishes	Chrome plated to BS EN 248
Product Type	Contemporary
Water Pressure	Min. 0.5 bar, Max. 6.0 bar
Plumbing Systems	Suitable for all plumbing systems
Standards	Complies with BS5412, BS EN200
Certification	Manufactured to comply with WRAS, TMV2
Cartridge	Triduon®
Check Valve	0.5-10 gpm (EN 1717)
Aerator	Adjustable Slim Air
Fitting	Brass 3/4" BSP tail
Packaging	53 x 44 x 33cm / carton (4 boxes / carton)
Guarantee	1 years against manufacturing faults (excluding serviceable parts).
Additional Information	Handle: Zinc Alloy



Flow Rates (Litres per minute)

System Pressure	0.1 Bar	0.2 Bar	0.3 Bar	0.5 Bar	1.0 Bar	1.5 Bar	2.0 Bar	3.0 Bar	4.0 Bar	5.0 Bar
SH/629/C	-	4.5	-	7.4	10.5	12.8	14.6	17.9	-	-

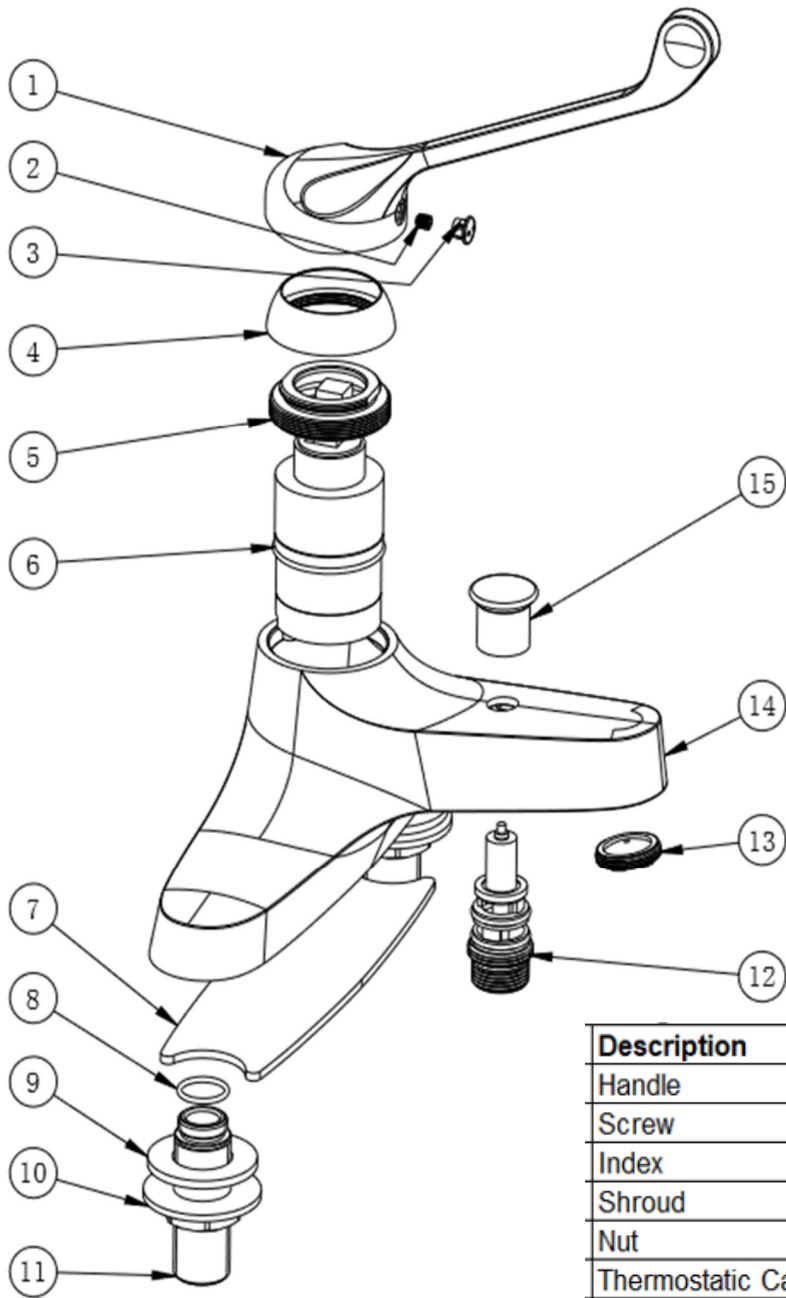
The information contained on this page was correct at the date of issue. Fitting dimensions are provided as a guide only. Some variation may occur due to manufacturing tolerances. We pursue a policy of continuing improvement in design and performance of our products and so reserve the right to change specifications without prior notice

FOR FURTHER ADVICE PLEASE CONTACT :-

SAGITTARIUS LTD UNIT 1 LOWER VICTORIA STREET—CHADDERTON—OLDHAM—OL9 9TU TEL:0616 6202029

EMAIL:TECHNICAL@SAGITTARIUSTAPS.CO.UK

EXPLODED DIAGRAM SH/629/C



Description	Qty.
Handle	1
Screw	1
Index	1
Shroud	1
Nut	1
Thermostatic Cartridge	1
Base Washer	1
O-ring	2
Wahser	2
Brass Nut	2
Inlet Connector	2
Diverter	1
Aerator	1
Body	1
Diverter Knob	1

The information contained on this page was correct at the date of issue. Fitting dimensions are provided as a guide only. Some variation may occur due to manufacturing tolerances. We pursue a policy of continuing improvement in design and performance of our products and so reserve the right to change specifications without prior notice

FOR FURTHER ADVICE PLEASE CONTACT :-
 SAGITTARIUS LTD UNIT 1 LOWER VICTORIA STREET—CHADDERTON—OLDHAM—OL9 9TU TEL:0616 6202029
 EMAIL:TECHNICAL@SAGITTARIUSTAPS.CO.UK