

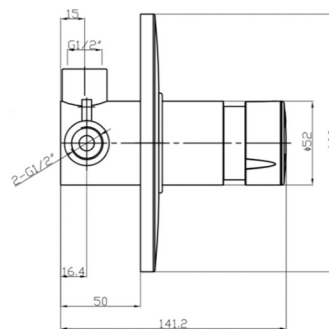
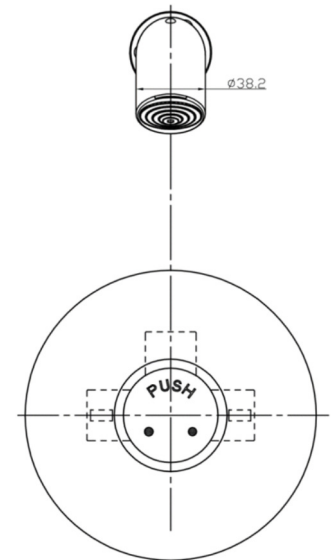
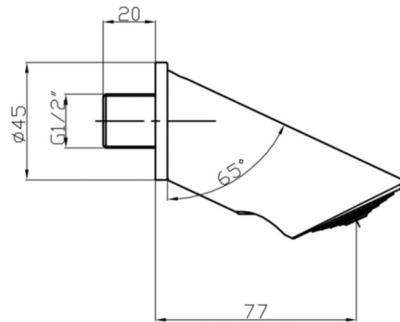
SAGITTARIUS

TAPS & SHOWERING

Construction	Brass Body (CuZn40Pb18)
Finishes	Chrome plated to BS EN 248
Product Type	Contemporary
Water Pressure	Min. 0.2 bar, Max. 6.0 bar
Plumbing Systems	Suitable for all plumbing systems
Standards	Complies with BS5412, BS EN200
Certification	Manufactured to comply with CE
Cartridge	Non concussive mixer valve
Aerator	Aerated
Fitting	15mm compression
Packaging	21 x 34.5 x 32cm / carton (6 boxes / carton)
Guarantee	1 years against manufacturing faults (excluding serviceable parts).
Additional Information	Handle: Zinc Alloy

Concealed Temp –Flow

Adjustable non concussive shower chrome SH/622/C



Flow Rates (Litres per minute)

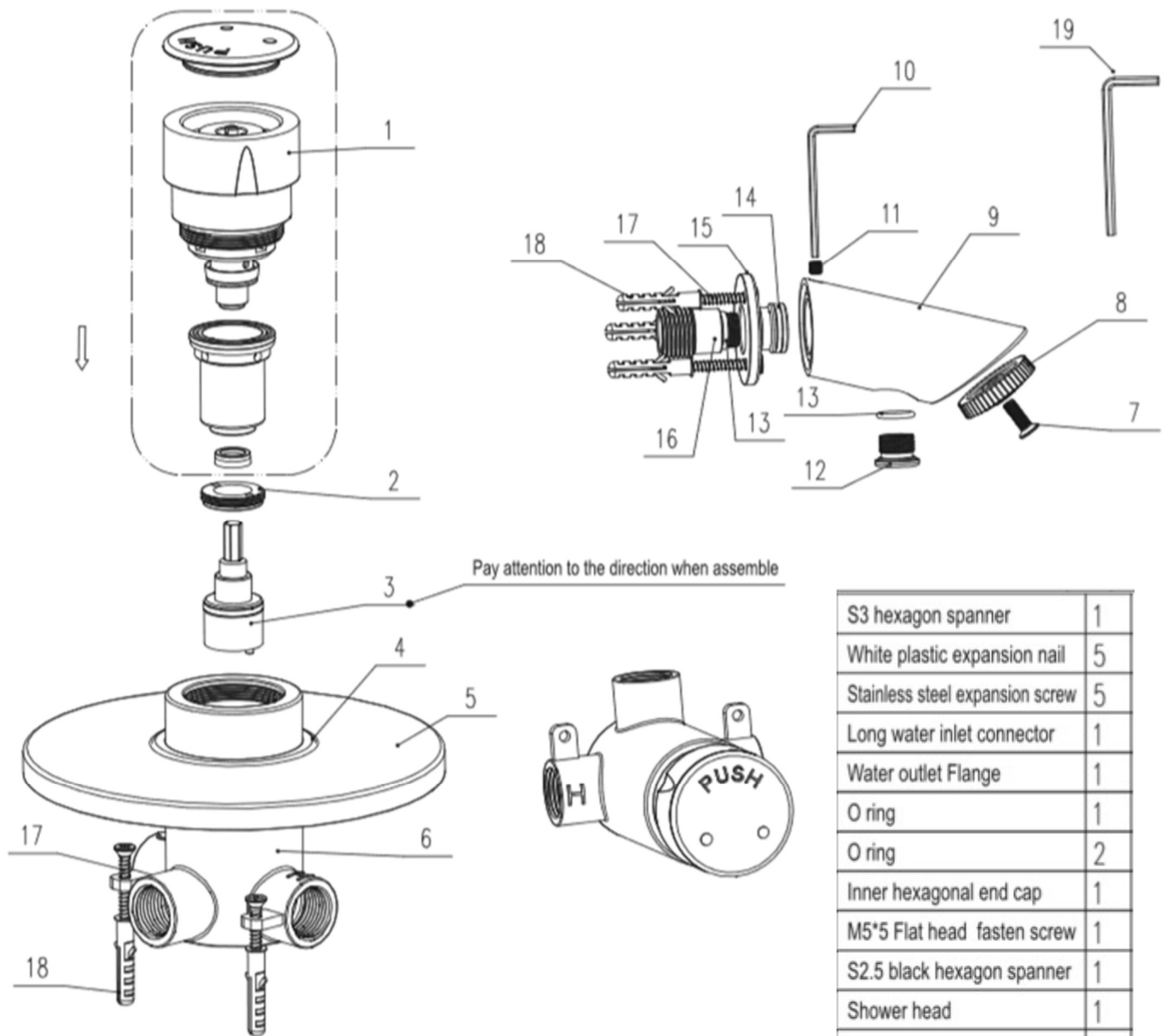
System Pressure	0.1 Bar	0.2 Bar	0.3 Bar	0.5 Bar	1.0 Bar	1.5 Bar	2.0 Bar	3.0 Bar	4.0 Bar	5.0 Bar
SH/622/C	-	2.9	-	3.8	6.7	8.6	10.0	11.7	13.6	14.8

The information contained on this page was correct at the date of issue. Fitting dimensions are provided as a guide only. Some variation may occur due to manufacturing tolerances. We pursue a policy of continuing improvement in design and performance of our products and so reserve the right to change specifications without prior notice

FOR FURTHER ADVICE PLEASE CONTACT :-

SAGITTARIUS LTD UNIT 1 LOWER VICTORIA STREET—CHADDERTON—OLDHAM—OL9 9TU TEL:0616 6202029

EMAIL:TECHNICAL@SAGITTARIUSTAPS.CO.UK



S3 hexagon spanner	1
White plastic expansion nail	5
Stainless steel expansion screw	5
Long water inlet connector	1
Water outlet Flange	1
O ring	1
O ring	2
Inner hexagonal end cap	1
M5*5 Flat head fasten screw	1
S2.5 black hexagon spanner	1
Shower head	1
Plastic spray nozzle	1
M5*5 Flat head fasten screw	1
Shower tap body	1
Decorative cover	1
Rubber fixing ring	1
Siverter cartridge	1
Press nut	1
Time adjustable cartridge (assembled)	1
Component Description	Qty

The information contained on this page was correct at the date of issue. Fitting dimensions are provided as a guide only. Some variation may occur due to manufacturing tolerances. We pursue a policy of continuing improvement in design and performance of our products and so reserve the right to change specifications without prior notice

FOR FURTHER ADVICE PLEASE CONTACT :-
 SAGITTARIUS LTD UNIT 1 LOWER VICTORIA STREET—CHADDERTON—OLDHAM—OL9 9TU TEL:0616 6202029
 EMAIL:TECHNICAL@SAGITTARIUSTAPS.CO.UK