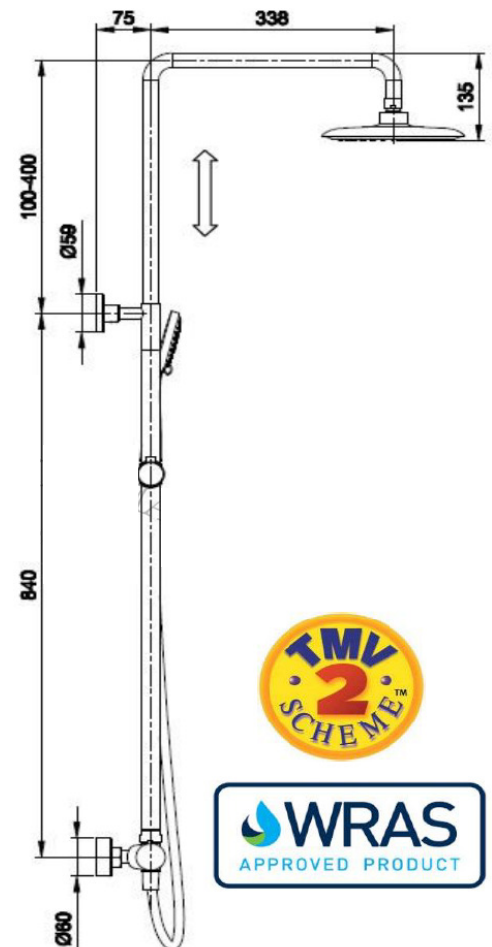
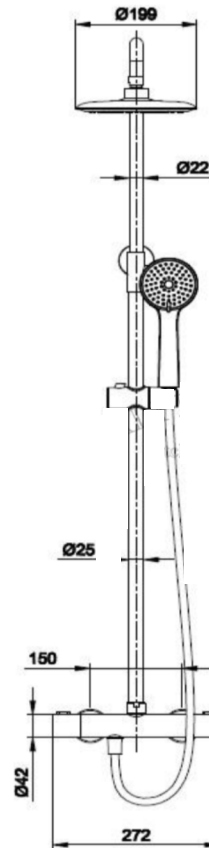


# SAGITTARIUS

## TAPS & SHOWERING

### PADUA LOW PRESSURE EXP VALVE & RISER KIT CHROME SH/619/C

<b>Construction</b>	Brass Body (CuZn38Pb18)
<b>Finishes</b>	Chrome plated to BS EN 248
<b>Product Type</b>	Contemporary
<b>Water Pressure</b>	Min. 0.5 bar, Max. 6.0 bar
<b>Plumbing Systems</b>	Suitable for all plumbing systems, preferably balanced. Min. supply pressure differential requirement is 5:1
<b>Standards</b>	Complies with BSEN 1111
<b>Certification</b>	WRAS, TMV2
<b>Cartridge</b>	Thermostatic
<b>Valve</b>	Integrate diverter ceramic valve
<b>Check valve</b>	0.5-10 gpm
<b>Fitting</b>	Easy Fit (15mm compression connection)
<b>Packaging</b>	96.5 x 46 x 56cm / carton (4 boxes / carton)
<b>Guarantee</b>	10 years against manufacturing faults (excluding serviceable parts).
<b>Additional Information</b>	<ol style="list-style-type: none"> <li>1. Temperature: Pre-set 38°C, with push button override to 48°C.</li> <li>2. Automatic shut off in the event of hot or cold water supply failure.</li> <li>3. Shower head : 250mm Brass head</li> <li>4. Shower handset : Chrome , 3 mode, ABS</li> <li>5. Shower hose : 1.5m Chrome</li> <li>6. Stainless steel adjustable riser rail</li> </ol>



### Flow Rates (Litres per minute)

System Pressure	0.1 Bar	0.2 Bar	0.3 Bar	0.5 Bar	1.0 Bar	1.5 Bar	2.0 Bar	3.0 Bar	4.0 Bar	5.0 Bar
<b>SH/619/C</b>	-	-	-	-	11.5	-	-	20.2	-	-
<b>Without Filter</b>	-	-	-	-	12.6	15.8	18.2	22.9	26.5	29.8
<b>Single Mode Handset</b>	-	-	-	-	10.1	12.4	14.3	17.9	20.9	23.5

The information contained on this page was correct at the date of issue. Fitting dimensions are provided as a guide only. Some variation may occur due to manufacturing tolerances. We pursue a policy of continuing improvement in design and performance of our products and so reserve the right to change specifications without prior notice

FOR FURTHER ADVICE PLEASE CONTACT :-

SAGITTARIUS LTD UNIT 1 LOWER VICTORIA STREET—CHADDERTON—OLDHAM—OL9 9TU TEL:0616 6202029

EMAIL:TECHNICAL@SAGITTARIUSTAPS.CO.UK