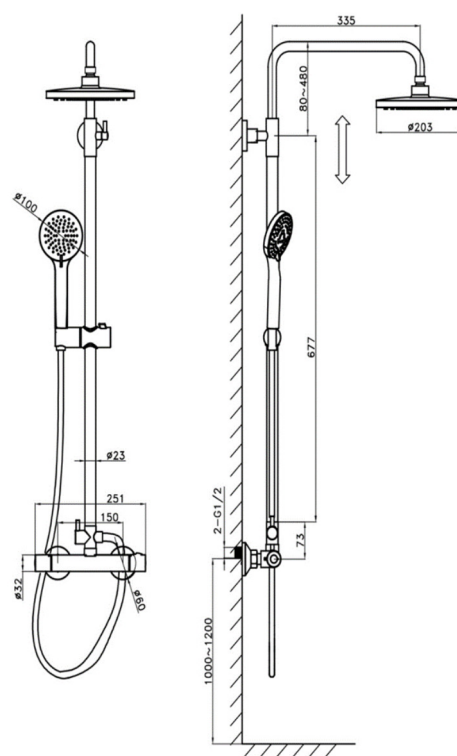


# SAGITTARIUS

## TAPS & SHOWERING

### VERONA EXPOSED VALVE AND RIGID RISER KIT SH/614/C

<b>Construction</b>	Brass Body (CuZn40Pb18); Check valve
<b>Finishes</b>	Chrome plated to BS EN 248
<b>Product Type</b>	Contemporary
<b>Water Pressure</b>	Min. 0.5 bar, Max. 6.0 bar
<b>Plumbing Systems</b>	Suitable for all plumbing systems, preferably balanced. Min. supply pressure
<b>Standards</b>	Complies with BSEN 1111
<b>Certification</b>	-
<b>Cartridge</b>	Thermostatic
<b>Check valve</b>	0.5-10 gpm
<b>Diverter</b>	Ceramic disc
<b>Fitting</b>	Escutcheon(S-unions)
<b>Packaging</b>	79 x 44 x 45cm / carton (5 boxes / carton)
<b>Guarantee</b>	10 years against manufacturing faults (excluding serviceable parts).
<b>Additional Information</b>	<ol style="list-style-type: none"> <li>1. Thermostatic cartridge maintains showering temperature to +/- 1°C by compensating for changes in the incoming water temperature and pressure giving the stable outlet.</li> <li>2. Automatic shut off in the event of hot or cold water supply failure.</li> <li>3. Shower head : Chrome , Ø200mm, ABS</li> <li>4. Shower handset : Chrome, ABS, 3 modes</li> <li>5. Shower hose : 1.5m stainless steel</li> <li>6. Telescopic adjustable height stainless steel shower rail.</li> </ol>



### Flow Rates (Litres per minute)

System Pressure	0.1 Bar	0.2 Bar	0.3 Bar	0.5 Bar	1.0 Bar	1.5 Bar	2.0 Bar	3.0 Bar	4.0 Bar	5.0 Bar
SH/614/C	3.8	5.3	6.5	8.4	12.0	-	16.9	20.6	23.8	26.5

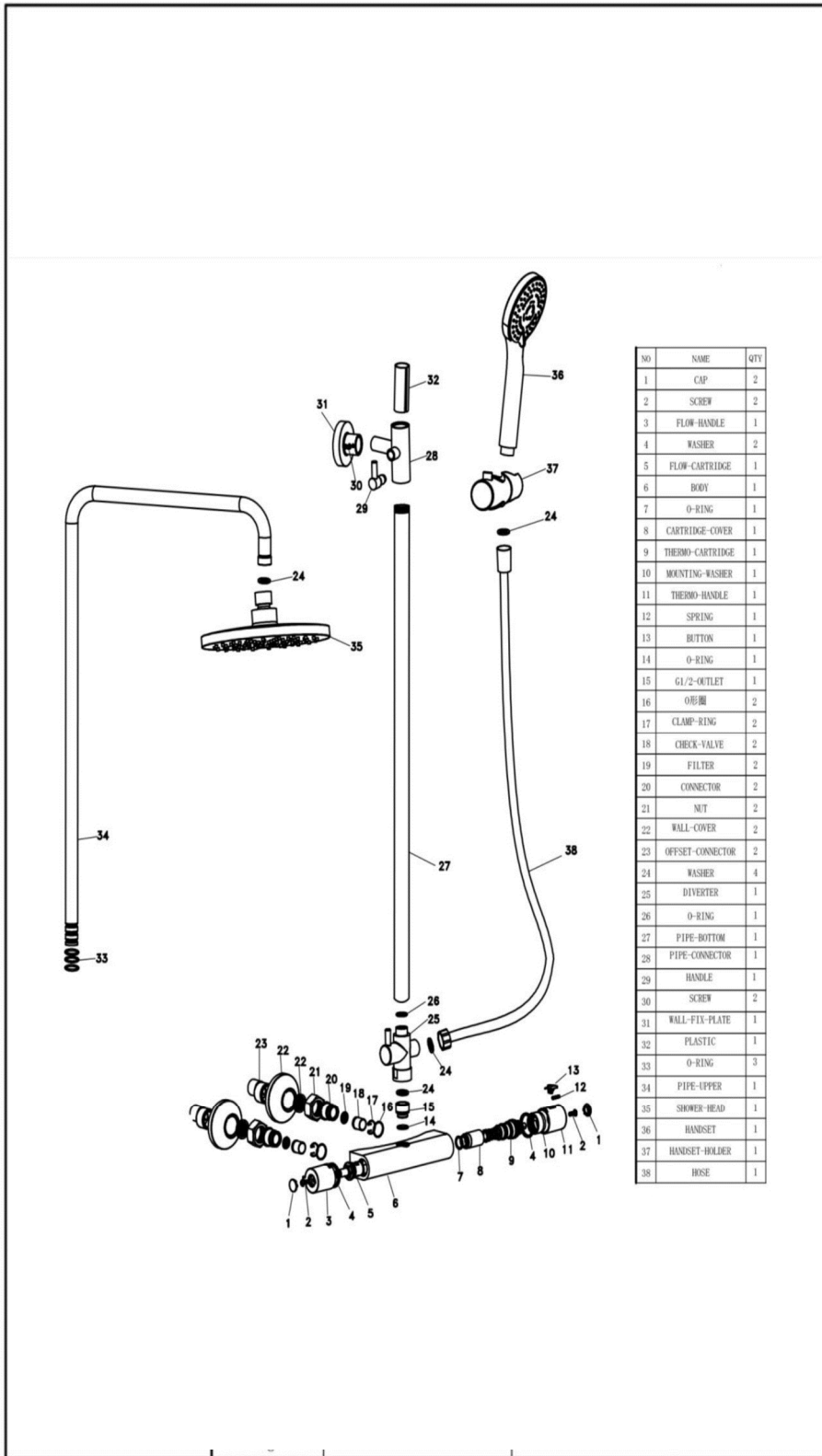
The information contained on this page was correct at the date of issue. Fitting dimensions are provided as a guide only. Some variation may occur due to manufacturing tolerances. We pursue a policy of continuing improvement in design and performance of our products and so reserve the right to change specifications without prior notice

FOR FURTHER ADVICE PLEASE CONTACT :-

SAGITTARIUS LTD UNIT 1 LOWER VICTORIA STREET—CHADDERTON—OLDHAM—OL9 9TU TEL:0616 6202029

EMAIL:TECHNICAL@SAGITTARIUSTAPS.CO.UK

**SH/614/C EXPLOADED**



NO	NAME	QTY
1	CAP	2
2	SCREW	2
3	FLOW-HANDLE	1
4	WASHER	2
5	FLOW-CARTRIDGE	1
6	BODY	1
7	O-RING	1
8	CARTRIDGE-COVER	1
9	THERMO-CARTRIDGE	1
10	MOUNTING-WASHER	1
11	THERMO-HANDLE	1
12	SPRING	1
13	BUTTON	1
14	O-RING	1
15	G1/2-OUTLET	1
16	O-RING	2
17	CLAMP-RING	2
18	CHECK-VALVE	2
19	FILTER	2
20	CONNECTOR	2
21	NUT	2
22	WALL-COVER	2
23	OFFSET-CONNECTOR	2
24	WASHER	4
25	DIVERTER	1
26	O-RING	1
27	PIPE-BOTTOM	1
28	PIPE-CONNECTOR	1
29	HANDLE	1
30	SCREW	2
31	WALL-FIX-PLATE	1
32	PLASTIC	1
33	O-RING	3
34	PIPE-UPPER	1
35	SHOWER-HEAD	1
36	HANSET	1
37	HANSET-HOLDER	1
38	HOSE	1

The information contained on this page was correct at the date of issue. Fitting dimensions are provided as a guide only. Some variation may occur due to manufacturing tolerances. We pursue a policy of continuing improvement in design and performance of our products and so reserve the right to change specifications without prior notice

FOR FURTHER ADVICE PLEASE CONTACT :-  
 SAGITTARIUS LTD UNIT 1 LOWER VICTORIA STREET—CHADDERTON—OLDHAM—OL9 9TU TEL:0616 6202029  
 EMAIL:TECHNICAL@SAGITTARIUSTAPS.CO.UK