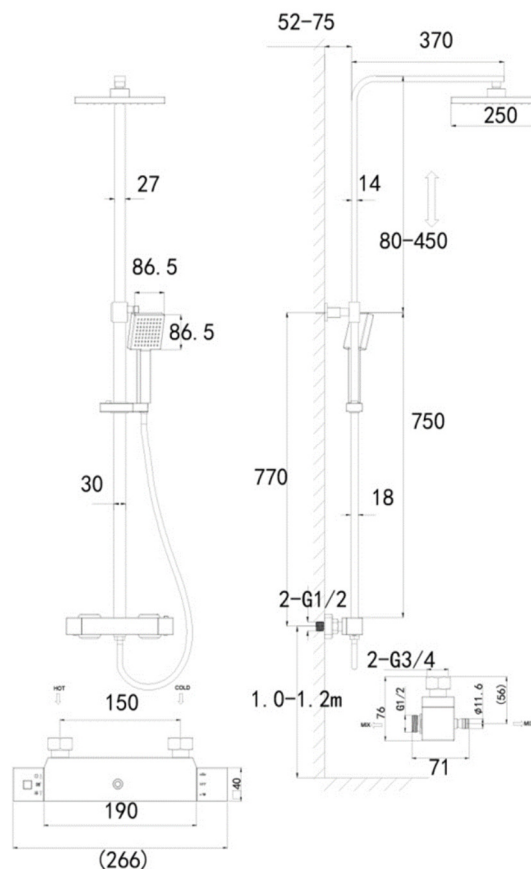


# SAGITTARIUS

## TAPS & SHOWERING

### STARK CUBE EXPOSED VALVE AND RIGID RISER KIT SH/611/C

<b>Construction</b>	Brass Body (CuZn38Pb18); Zinc alloy handle
<b>Finishes</b>	Chrome : Ni : 8-12um, Cr : 0.25-0.3um
<b>Product Type</b>	Contemporary
<b>Water Pressure</b>	Min. 0.5 bar, Max. 6.0 bar
<b>Plumbing Systems</b>	Suitable for all plumbing systems, preferably balanced. Min. supply pressure differential requirement is 5:1
<b>Standards</b>	Complies with BSEN 1111
<b>Certification</b>	Manufactured to comply with WRAS, TMV2
<b>Cartridge</b>	Thermostatic
<b>Valve</b>	Integrate diverter ceramic valve
<b>Check valve</b>	0.5-10 gpm
<b>Fitting</b>	easy fit(15mm compression connection)
<b>Packaging</b>	96.5 x 46 x 56cm / carton (4 boxes / carton)
<b>Guarantee</b>	10 years against manufacturing faults (excluding serviceable parts).
<b>Additional Information</b>	<ol style="list-style-type: none"> <li>1. Temperature: Pre-set 38°C, with push button override to 48°C.</li> <li>2. Automatic shut off in the event of hot or cold water supply failure.</li> <li>3. Stainless steel adjustable riser rail</li> <li>4. Shower head : Chrome , ABS , 225mm</li> <li>5. Handset : Chrome, ABS / Hose : Smooth PVC, 1.5m</li> <li>6. Cool touch technology</li> </ol>



### Flow Rates (Litres per minute)

System Pressure	0.1 Bar	0.2 Bar	0.3 Bar	0.5 Bar	1.0 Bar	1.5 Bar	2.0 Bar	3.0 Bar	4.0 Bar	5.0 Bar
SH/611/C	4.9	6.6	7.9	10.1	14.1	17.3	19.7	24.2	27.7	31.0

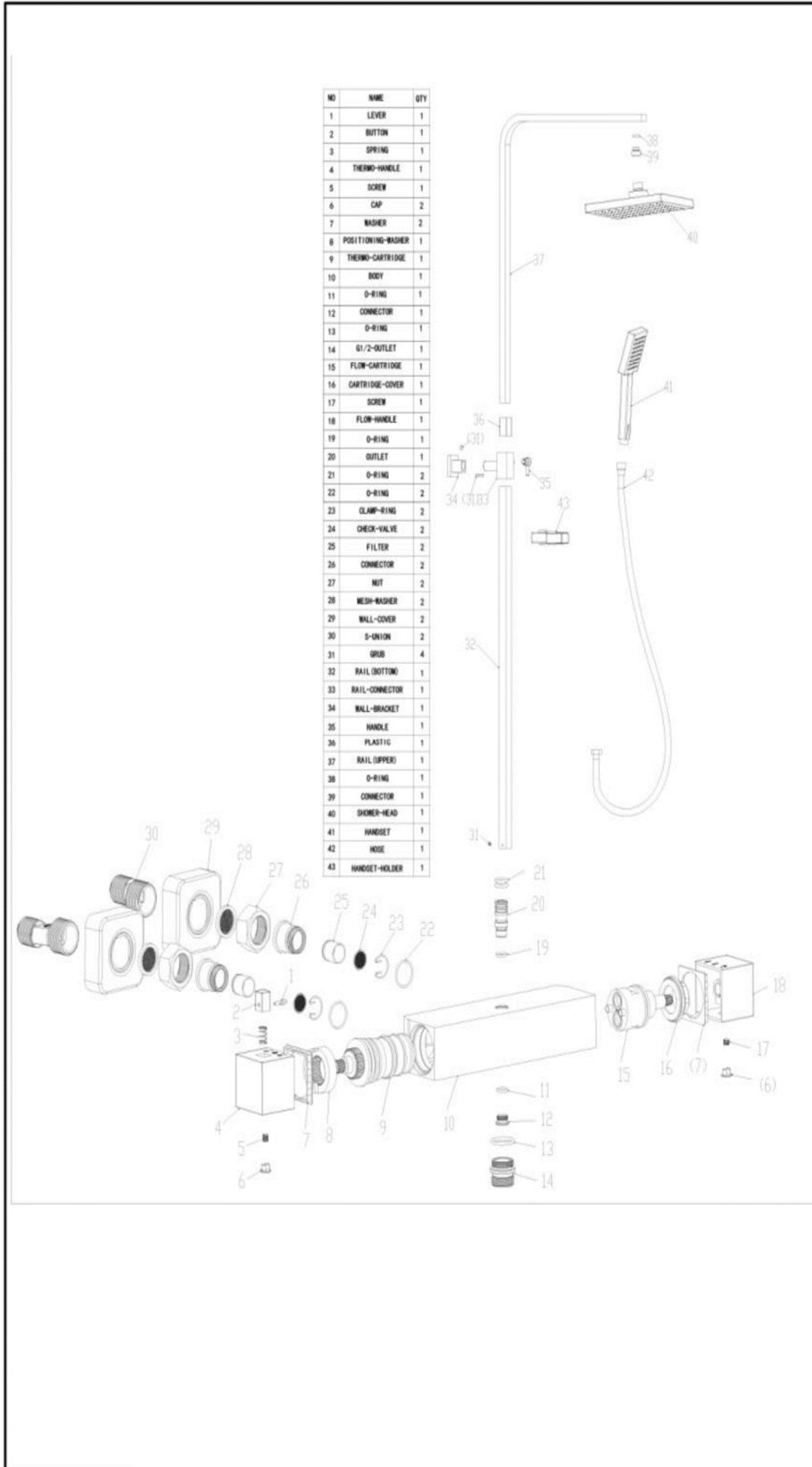
The information contained on this page was correct at the date of issue. Fitting dimensions are provided as a guide only. Some variation may occur due to manufacturing tolerances. We pursue a policy of continuing improvement in design and performance of our products and so reserve the right to change specifications without prior notice

FOR FURTHER ADVICE PLEASE CONTACT :-

SAGITTARIUS LTD UNIT 1 LOWER VICTORIA STREET—CHADDERTON—OLDHAM—OL9 9TU TEL:0616 6202029

EMAIL:TECHNICAL@SAGITTARIUSTAPS.CO.UK

SH/611/C EXPLOADED DRAWING



The information contained on this page was correct at the date of issue. Fitting dimensions are provided as a guide only. Some variation may occur due to manufacturing tolerances. We pursue a policy of continuing improvement in design and performance of our products and so reserve the right to change specifications without prior notice

FOR FURTHER ADVICE PLEASE CONTACT :-  
 SAGITTARIUS LTD UNIT 1 LOWER VICTORIA STREET—CHADDERTON—OLDHAM—OL9 9TU TEL:0616 620209  
 EMAIL:TECHNICAL@SAGITTARIUSTAPS.CO.UK