

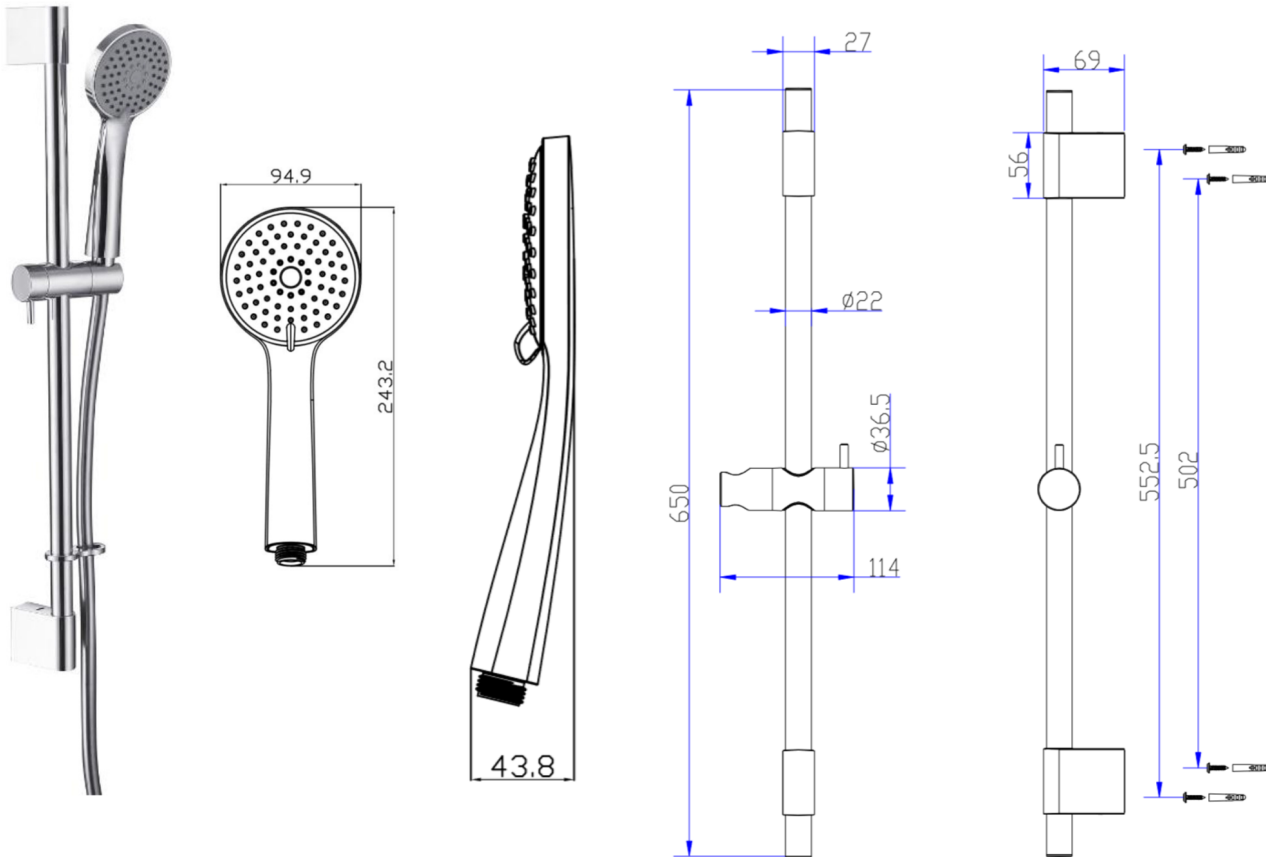
# SAGITTARIUS

## TAPS & SHOWERING

<b>Construction</b>	Stainless steel & ABS
<b>Finishes</b>	Chrome plated to BS EN 248
<b>Product Type</b>	Contemporary
<b>Plumbing Systems</b>	Suitable for all plumbing systems
<b>Certification</b>	-
<b>Packaging</b>	-
<b>Guarantee</b>	-
<b>Additional Information</b>	1 year against manufacturing faults (excluding serviceable parts).

### PESCARA ADJUSTABLE 3 MODE SLIDE RAIL KIT SH/593/C

1. Adjustable ABS handset holder
2. Chrome, ABS shower handset; and Stainless steel 1.5m shower hose



### Flow Rates (Litres per minute)

System Pressure	0.1 Bar	0.2 Bar	0.3 Bar	0.5 Bar	1.0 Bar	1.5 Bar	2.0 Bar	3.0 Bar	4.0 Bar	5.0 Bar
SH/593/C	-	-	-	8.0	10.9	13.3	15.5	19.4	24.9	-

The information contained on this page was correct at the date of issue. Fitting dimensions are provided as a guide only. Some variation may occur due to manufacturing tolerances. We pursue a policy of continuing improvement in design and performance of our products and so reserve the right to change specifications without prior notice

FOR FURTHER ADVICE PLEASE CONTACT :-

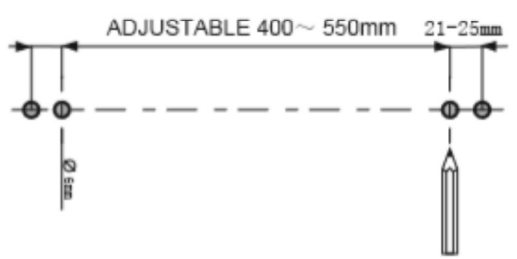
SAGITTARIUS LTD UNIT 1 LOWER VICTORIA STREET—CHADDERTON—OLDHAM—OL9 9TU TEL:0616 6202029

EMAIL:TECHNICAL@SAGITTARIUSTAPS.CO.UK

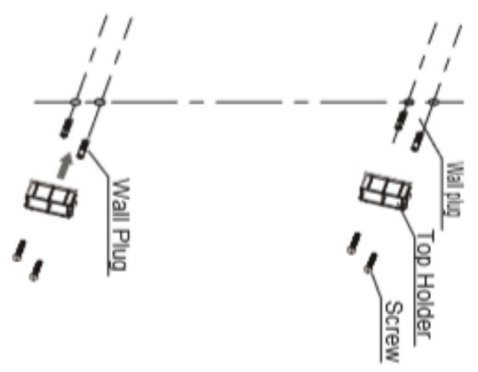
1

a) Measure and mark desired mounting positioning.

b) Drill mounting holes with 6mm drill bit.



2

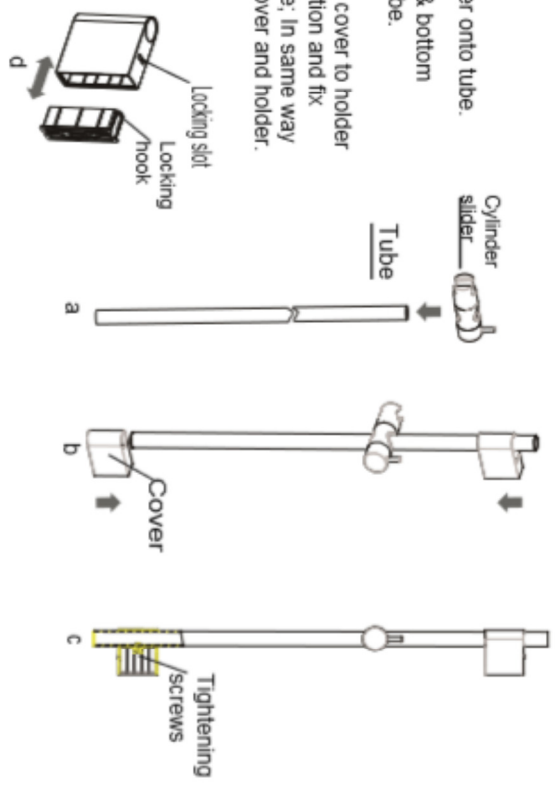


a) Push both Wall Plugs into each 6mm hole

b) Place top & bottom holders over top Wall Plug and fix in position with screw provided.

3

- a) Place slider onto tube.
- b) Slide top & bottom holders to tube.
- c) Align one cover to holder in same position and fix screw to tube. In same way to another cover and holder.



4

- a) Be noted to keep top and bottom holders in alignment and same distance; then push assembled top & bottom cover with rail bar to the holders, and ensure the locking hook is locked into the locking slot.
- b) Attach the top and bottom covers to the tube. Then finish assembly of all parts.

