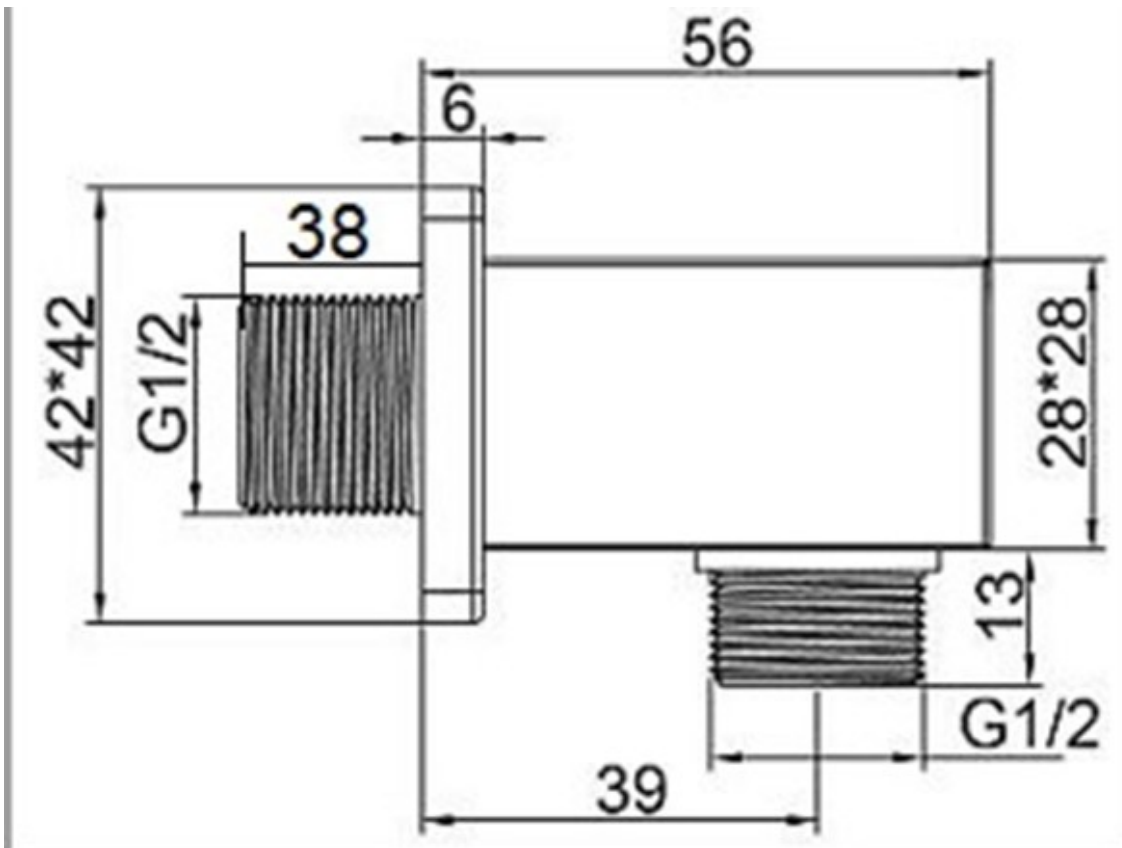


# SAGITTARIUS

## TAPS & SHOWERING

<b>Construction</b>	Brass Body (CuZn40Pb18)
<b>Finishes</b>	Chrome plated to BS EN 248
<b>Water Pressure Tested Between</b>	Min. 0.1 bar, Max. 6.0 bar
<b>Fitting</b>	Brass G1/2" BSP tail
<b>Guarantee</b>	1 year against manufacturing faults (excluding serviceable parts)

**CUBE WALL OUTLET**  
**CHROME**  
**SH/521/C**

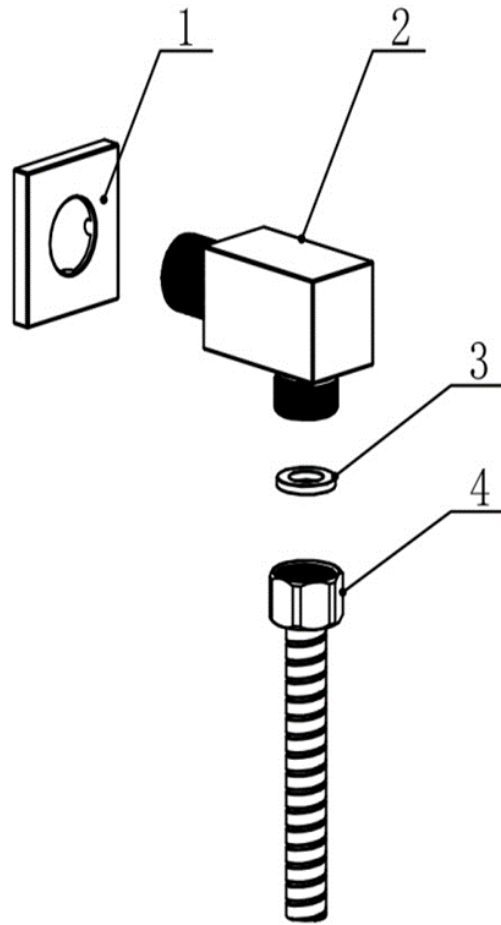


The information contained on this page was correct at the date of issue. Fitting dimensions are provided as a guide only. Some variation may occur due to manufacturing tolerances. We pursue a policy of continuing improvement in design and performance of our products and so reserve the right to change specifications without prior notice

FOR FURTHER ADVICE PLEASE CONTACT :-

SAGITTARIUS LTD UNIT 1 LOWER VICTORIA STREET—CHADDERTON—OLDHAM—OL9 9TU TEL:0616 6202029

EMAIL:TECHNICAL@SAGITTARIUSTAPS.CO.UK



4	Hose
3	Rubber seal
2	Body
1	Base plate