

# SAGITTARIUS

## TAPS & SHOWERING

**Construction** Brass Body (HPb59-1), equivalent to BS CZ122 / EN CW617N / CuZn40Pb2

**Finishes** Chrome plated to BS EN 248

**Product Type** Contemporary

**Plumbing Systems** Suitable for all plumbing systems

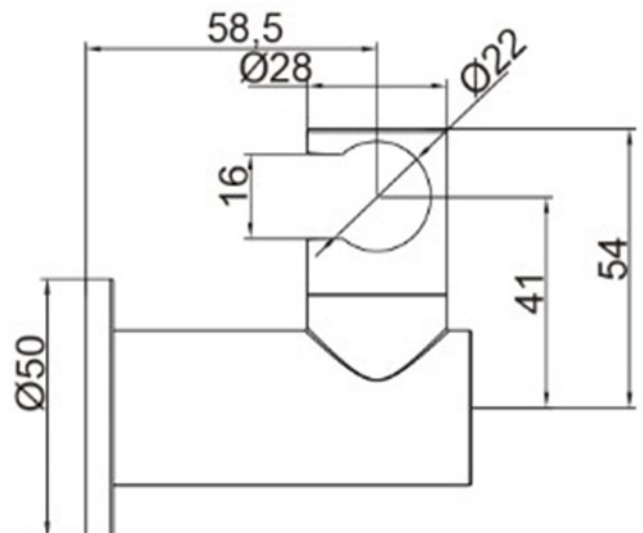
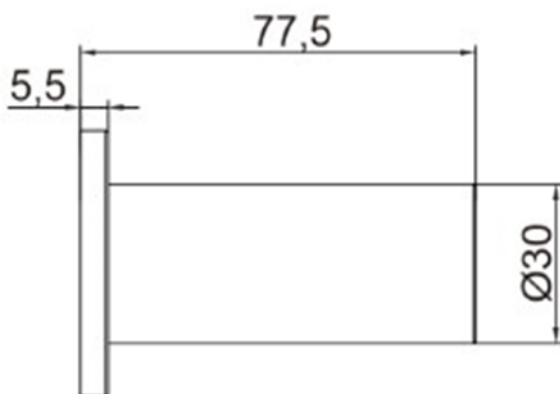
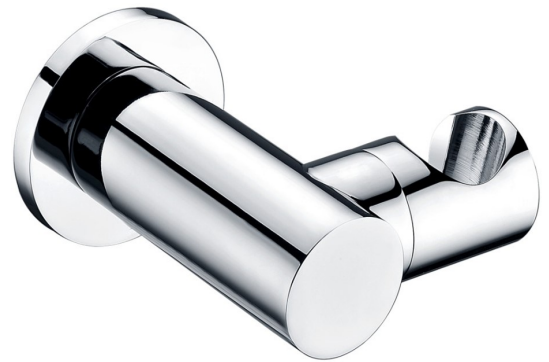
**Fitting** Brass G1/2" BSP Male thread

**Guarantee** 1 year against manufacturing faults (excluding serviceable parts)

**Additional Information** Adjustable Brass handset holder

**ROUND ADJUSTABLE WALL  
BRACKET CHROME**

**SH/516/C**

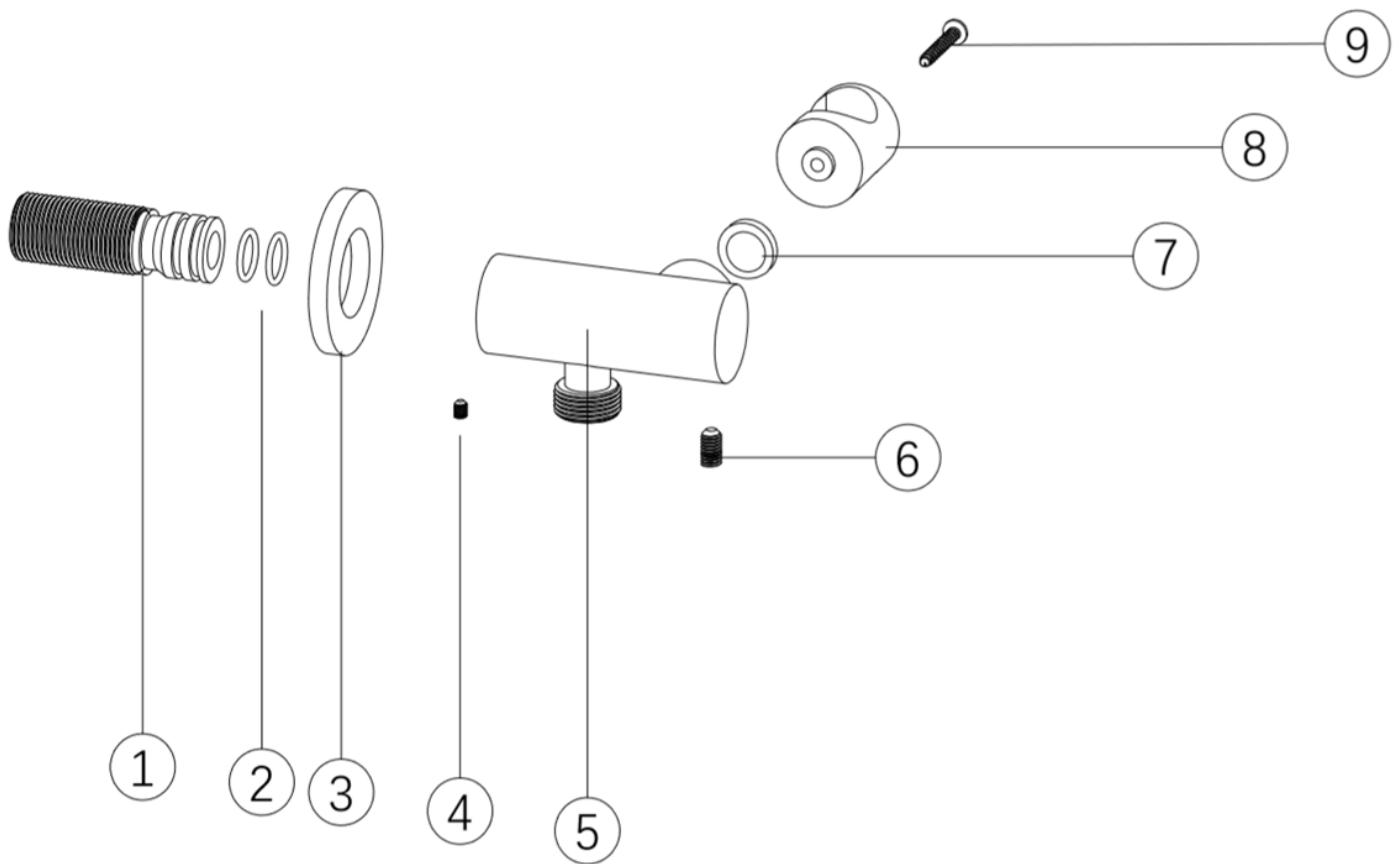


The information contained on this page was correct at the date of issue. Fitting dimensions are provided as a guide only. Some variation may occur due to manufacturing tolerances. We pursue a policy of continuing improvement in design and performance of our products and so reserve the right to change specifications without prior notice

FOR FURTHER ADVICE PLEASE CONTACT :-

SAGITTARIUS LTD UNIT 1 LOWER VICTORIA STREET—CHADDERTON—OLDHAM—OL9 9TU TEL:0616 6202029

EMAIL:TECHNICAL@SAGITTARIUSTAPS.CO.UK



<b>NO.</b>	<b>PART DESCRIPTION</b>	<b>QTY</b>
1	BRASS INLET CONNECTOR	1
2	20*2 NBR INLET O-RING	2
3	BRASS BASE PLATE	1
4	M4*5 S/STEEL GRUB SCREW	1
5	BRASS WALL BRACKET OUTLET	1
6	M5*8 S/STEEL GRUB SCREW	1
7	POM WASHER	1
8	BRASS HANDSET HOLDER	1
9	M4*15 S/S CROSS HEAD SCREW	1

FOR FURTHER ADVICE PLEASE CONTACT :-

SAGITTARIUS LTD UNIT 1 LOWER VICTORIA STREET—CHADDERTON—OLDHAM—OL9 9TU TEL:0616 6202029

EMAIL:TECHNICAL@SAGITTARIUSTAPS.CO.UK