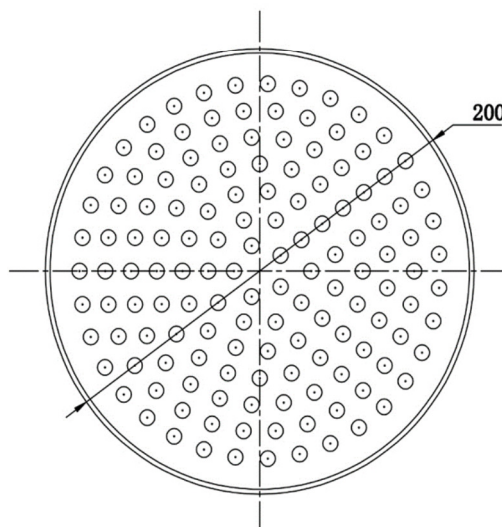
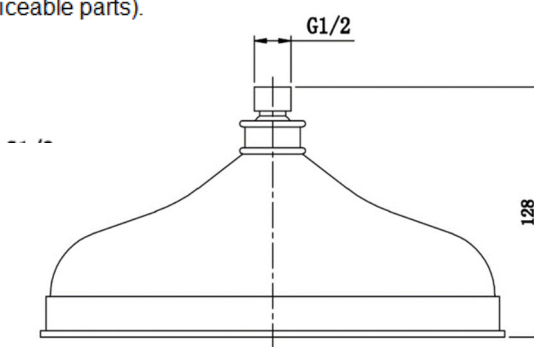


SAGITTARIUS

TAPS & SHOWERING

YORK 200mm SHOWER HEAD & ARM CHROME SH/365/C

Construction	Brass
Finishes	Chrome
Product Type	Contemporary
Water Pressure	Min 0.1bar and Max 5.0bar
Plumbing Systems	Suitable for all plumbing systems
Certification	-
Fitting	G1/2"
Packaging	47 x 45 x 44cm / carton (10 boxes / carton)
Guarantee	1 year against manufacturing faults (excluding serviceable parts).
Additional Information	<ol style="list-style-type: none"> 1. Rub-clean rubber nozzle 2. 100% Chromed 3. Swivel connector 4. Size : Ø200mm



System Pressure	0.1 Bar	0.2 Bar	0.3 Bar	0.5 Bar	1.0 Bar	1.5 Bar	2.0 Bar	3.0 Bar	4.0 Bar	5.0 Bar
SH/365/C	8.5	10.3	12.3	15.0	16.6	18.2	20.3	22.8	25.2	27.4

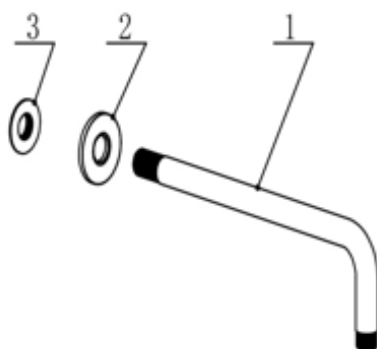
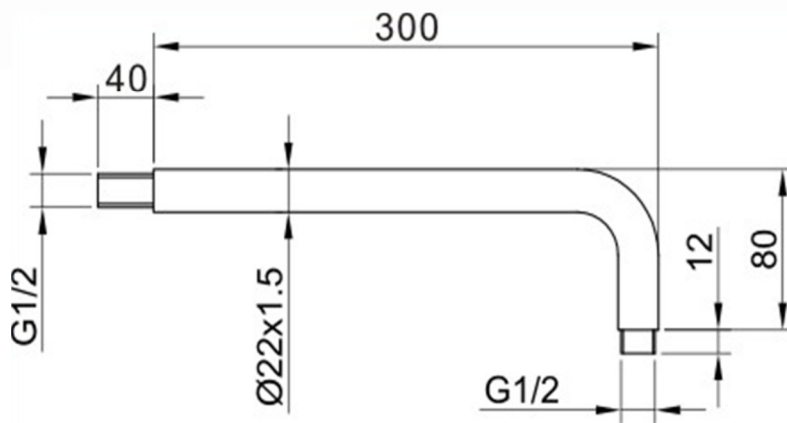
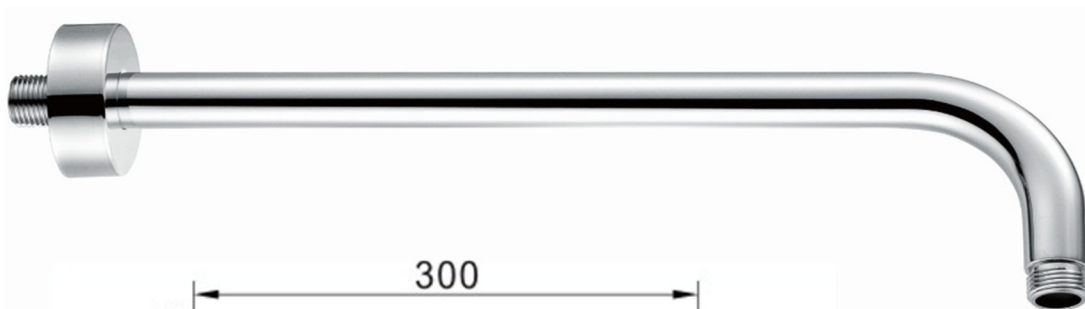
The information contained on this page was correct at the date of issue. Fitting dimensions are provided as a guide only. Some variation may occur due to manufacturing tolerances. We pursue a policy of continuing improvement in design and performance of our products and so reserve the right to change specifications without prior notice

FOR FURTHER ADVICE PLEASE CONTACT :-

SAGITTARIUS LTD UNIT 1 LOWER VICTORIA STREET—CHADDERTON—OLDHAM—OL9 9TU TEL:0616 6202029

EMAIL:TECHNICAL@SAGITTARIUSTAPS.CO.UK

Construction	Brass Body (CuZn40Pb18)
Finishes	Chrome plated to BS EN 248
Product Type	Contemporary
Plumbing Systems	Suitable for all plumbing systems
Certification	-
Fitting	G1/2" BSP
Packaging	47 x 41 x 38cm / carton (50 boxes / carton)
Guarantee	5 years against manufacturing faults (excluding serviceable parts).
Additional Information	-



3	Back nut
2	Base ring
1	Spout

The information contained on this page was correct at the date of issue. Fitting dimensions are provided as a guide only. Some variation may occur due to manufacturing tolerances. We pursue a policy of continuing improvement in design and performance of our products and so reserve the right to change specifications without prior notice

FOR FURTHER ADVICE PLEASE CONTACT :-
 SAGITTARIUS LTD UNIT 1 LOWER VICTORIA STREET—CHADDERTON—OLDHAM—OL9 9TU TEL:0616 6202029
 EMAIL:TECHNICAL@SAGITTARIUSTAPS.CO.UK