

SAGITTARIUS

TAPS & SHOWERING

WALL MOUNTED SHOWER SEAT –WOOD/CHROME SEA/795/C

Finishes:	Wood/Chrome
Maintenance:	Clean with warm water and a soft cloth. Do not use harsh abrasives or other household cleaning products.
Maximum Weight:	160kg



Notice: The mounting brackets must be anchored to a solid structure assuring a safe and secure installation. As a minimum standard, follow recommended installation.

Installation: Drill 4 or 6 holes, whichever is required for installation using template provided. Secure wall brackets to the wall as shown. Place covers over brackets and secure seat assembly in place with the mounting pins. After assembly is completed snap in pin caps.

Stud Wall: 11.8" on center (use template provided) use (4) flat head screws provided for this installation. Screws should penetrate into the studs a minimum of 1 1/2". A 1/4" diameter masonry tool bit should be used to drill thru the tile and Cement board for screw clearance hole (see Figure 1).

Header: 11.8" on center (use template provided). Header to be 2" x 6" or equivalent and must be adequate anchor base, secure into studs.

Use (6) flat head screws provided for this installation. Screws should penetrate into the header a minimum of 1 1/2". A 1/4" diameter masonry tool bit should be used to drill thru tile and Cement board for screw clearance hole (see Figure 2).

Mounting (Masonry, Brick or Block Wall): 11.8" on center (use template provided). Install (6) plastic anchor provided for this installation. A 5/16" diameter tool bit should be used for this application (see Figure 3).

Figure 1 - Stud Wall

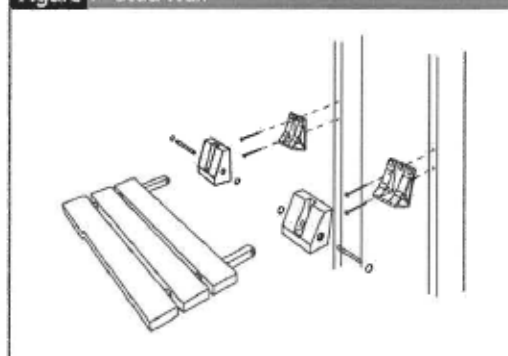


Figure 2 - Header

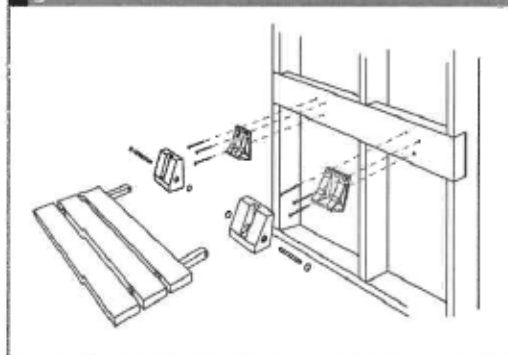
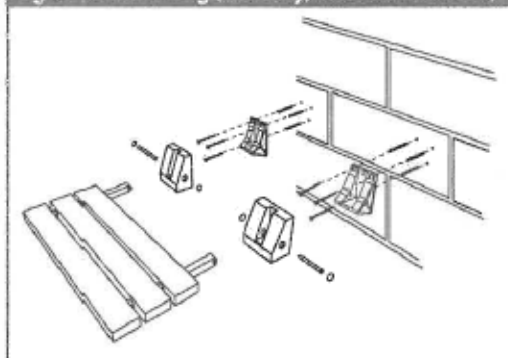


Figure 3 - Mounting (Masonry, brick or Block Wall)



The information contained on this page was correct at the date of issue. Fitting dimensions are provided as a guide only. Some variation may occur due to manufacturing tolerances. We pursue a policy of continuing improvement in design and performance of our products and so reserve the right to change specifications without prior notice

FOR FURTHER ADVICE PLEASE CONTACT :-

SAGITTARIUS LTD UNIT 1 LOWER VICTORIA STREET—CHADDERTON—OLDHAM—OL9 9TU TEL:0616 6202029

EMAIL:TECHNICAL@SAGITTARIUSTAPS.CO.UK