

SAGITTARIUS

TAPS & SHOWERING

Construction Brass Body & Spout, Brass Face plate, Zinc

Finishes Chrome

Product Type Contemporary

Water Pressure Min. 0.2 - 3.0 bar, Max. 6.0 bar

Cartridge 40mm WANHAI Ceramic disc

Aerator Laminar

Fitting Brass G1/2" BSP Female Thread inlets;
Two F3/4*G1/2*160 Flexible hoses sup-

Guarantee 10 years against manufacturing faults
(excluding serviceable parts)

Operating Water Pressure



LOW PRESSURE
0.2-0.5 bar

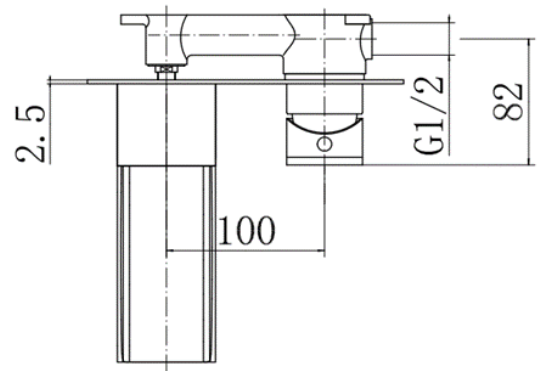
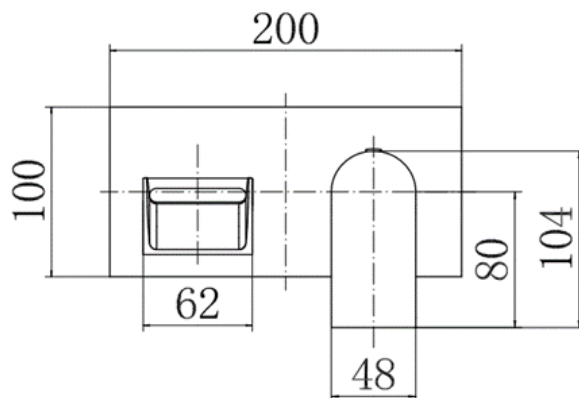
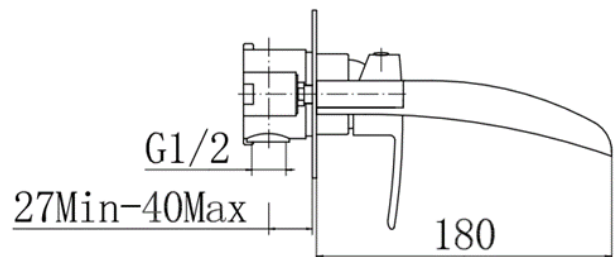


COMBI BOILER



HIGH PRESSURE
1.2- 1.5+ bar

SCALA WALL MOUNTED BATH MIXER SC/170



The information contained on this page was correct at the date of issue. Fitting dimensions are provided as a guide only. Some variation may occur due to manufacturing tolerances. We pursue a policy of continuing improvement in design and performance of our products and so reserve the right to change specifications without prior notice

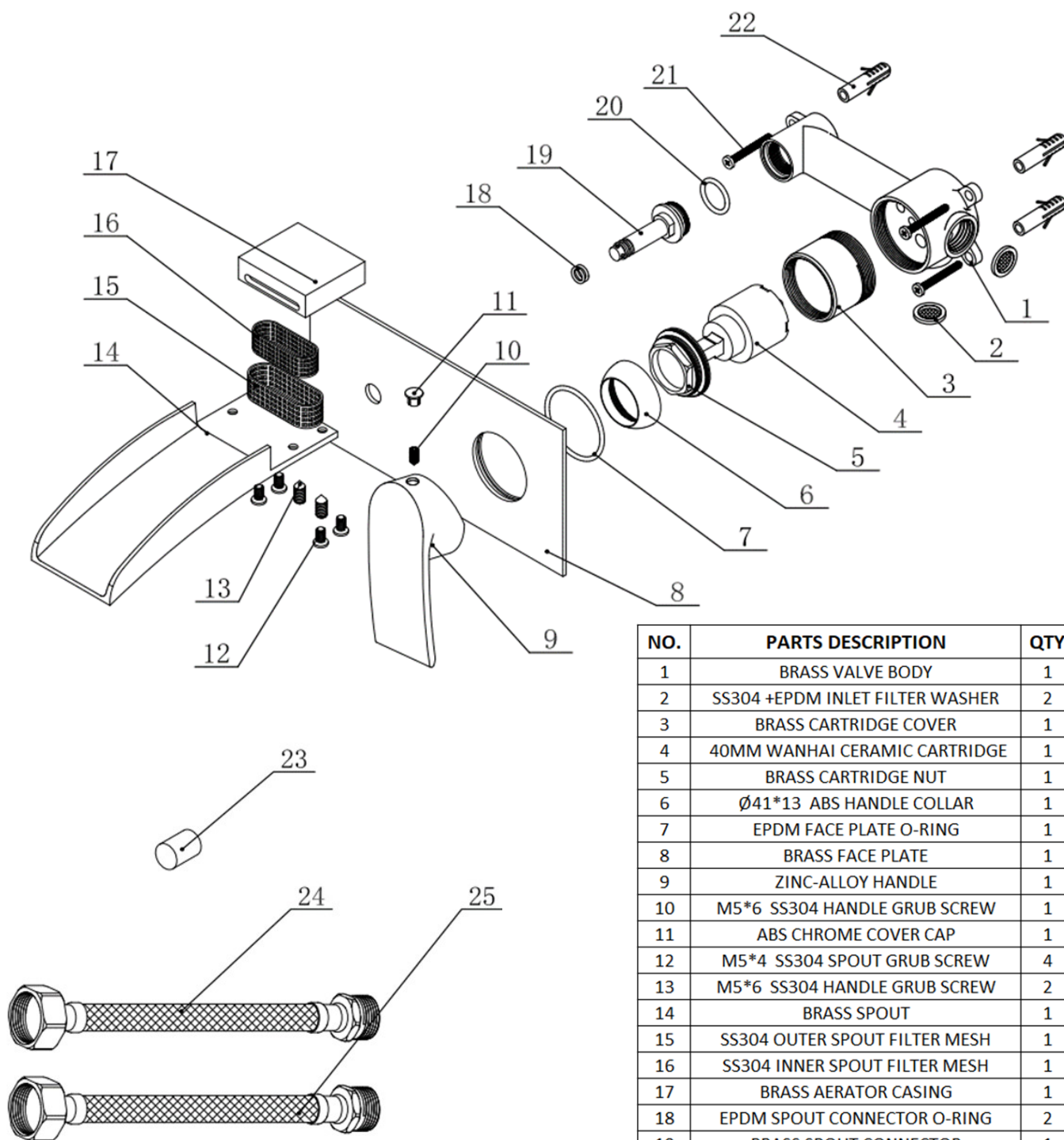
FOR FURTHER ADVICE PLEASE CONTACT :-

SAGITTARIUS LTD UNIT 1 LOWER VICTORIA STREET—CHADDERTON—OLDHAM—OL9 9TU TEL:0616 6202029

EMAIL:TECHNICAL@SAGITTARIUSTAPS.CO.UK

Flow Rates (Litres per minute)

System Pressure	0.1 Bar	0.2 Bar	0.3 Bar	0.5 Bar	1.0 Bar	1.5 Bar	2.0 Bar	3.0 Bar	4.0 Bar	5.0 Bar
	2.1	3.4	3.9	4.8	6.7	8.2	9.5	11.6	13.3	14.8



NO.	PARTS DESCRIPTION	QTY
1	BRASS VALVE BODY	1
2	SS304 +EPDM INLET FILTER WASHER	2
3	BRASS CARTRIDGE COVER	1
4	40MM WANHAI CERAMIC CARTRIDGE	1
5	BRASS CARTRIDGE NUT	1
6	Ø41*13 ABS HANDLE COLLAR	1
7	EPDM FACE PLATE O-RING	1
8	BRASS FACE PLATE	1
9	ZINC-ALLOY HANDLE	1
10	M5*6 SS304 HANDLE GRUB SCREW	1
11	ABS CHROME COVER CAP	1
12	M5*4 SS304 SPOUT GRUB SCREW	4
13	M5*6 SS304 HANDLE GRUB SCREW	2
14	BRASS SPOUT	1
15	SS304 OUTER SPOUT FILTER MESH	1
16	SS304 INNER SPOUT FILTER MESH	1
17	BRASS AERATOR CASING	1
18	EPDM SPOUT CONNECTOR O-RING	2
19	BRASS SPOUT CONNECTOR	1
20	EPDM SPOUT CONNECTOR INLET O-RING	1
21	Ø4.2*40 SS304 SELF TAPPING SCREW	3
22	ABS WALL PLUG	3
23	ABS PROTECTION COVER	1
24	F3/4*G1/2*160 FLEXITAIL (BLUE)	1
25	F3/4*G1/2*160 FLEXITAIL (RED)	1

FOR FURTHER ADVICE PLEASE CONTACT :-
 SAGITTARIUS LTD UNIT 1 LOWER VICTORIA STREET—CHADDERTON—OLDHAM—OL9 9TU TEL:0616 6202029
 EMAIL:TECHNICAL@SAGITTARIUSTAPS.CO.UK