

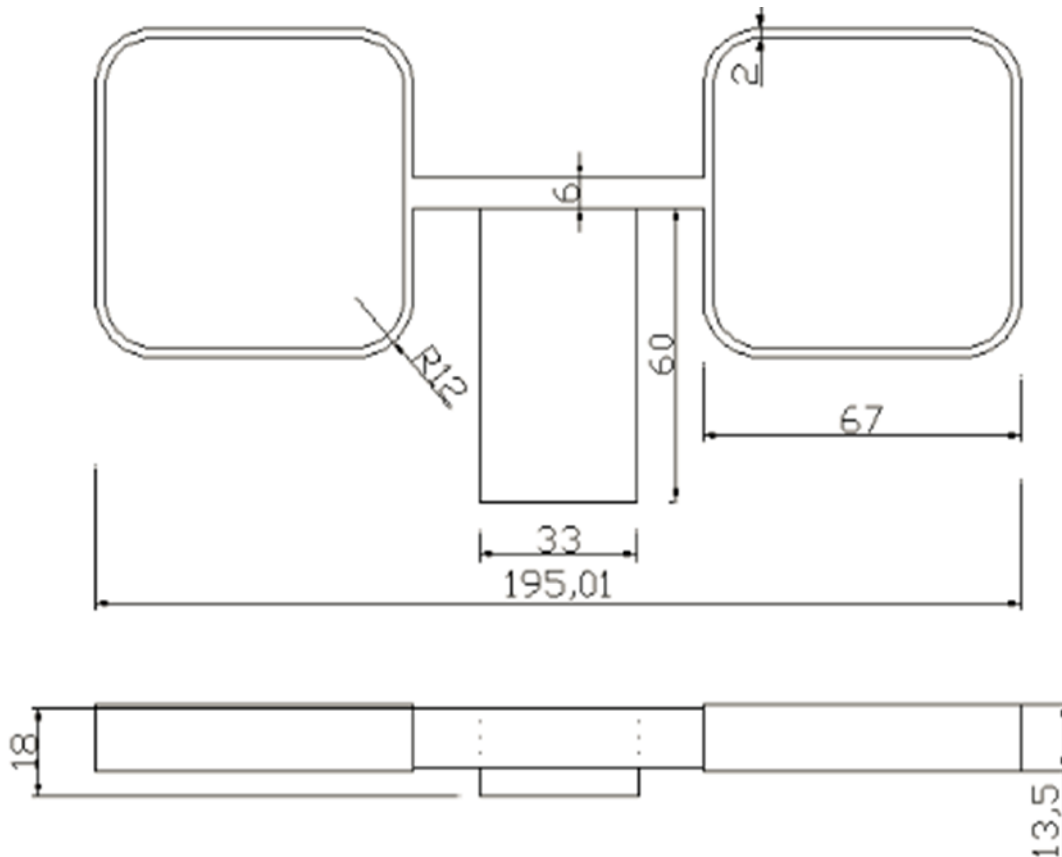
SAGITTARIUS

TAPS & SHOWERING

Construction	Brass
Finishes	Chrome plated
Product Type	Contemporary
Standards	Complies with BS5412, BS EN200
Guarantee	10 year against manufacturing faults (excluding Ceramic or Glass parts)

**RAVELLO DOUBLE GLASS
HOLDER CHROME**

RVA/723/C



The information contained on this page was correct at the date of issue. Fitting dimensions are provided as a guide only. Some variation may occur due to manufacturing tolerances. We pursue a policy of continuing improvement in design and performance of our products and so reserve the right to change specifications without prior notice

FOR FURTHER ADVICE PLEASE CONTACT :-
SAGITTARIUS LTD UNIT 1 LOWER VICTORIA STREET—CHADDERTON—OLDHAM—OL9 9TU TEL:0616 6202029
EMAIL:TECHNICAL@SAGITTARIUSTAPS.CO.UK