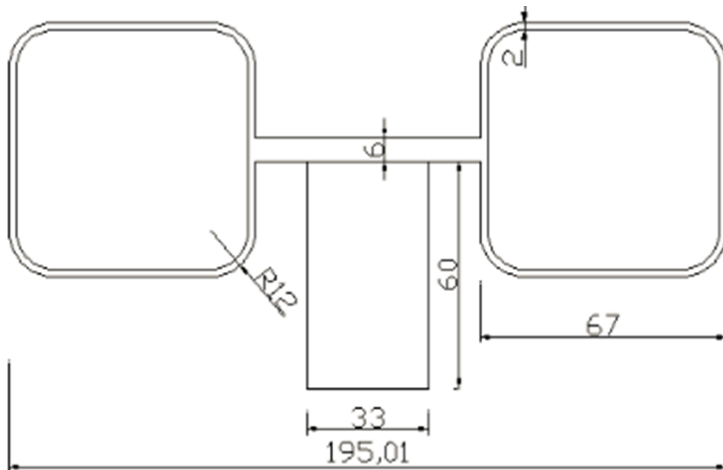


# SAGITTARIUS

## TAPS & SHOWERING

**Construction** Brass  
**Finishes** Matt Black  
**Product Type** Contemporary  
**Standards** Complies with BS5412, BS EN200  
**Guarantee** 5 year against manufacturing faults (excluding Ceramic or Glass parts)

**RAVELLO DOUBLE GLASS  
HOLDER**  
**RVA/723/B**



The information contained on this page was correct at the date of issue. Fitting dimensions are provided as a guide only. Some variation may occur due to manufacturing tolerances. We pursue a policy of continuing improvement in design and performance of our products and so reserve the right to change specifications without prior notice

FOR FURTHER ADVICE PLEASE CONTACT :-  
SAGITTARIUS LTD UNIT 1 LOWER VICTORIA STREET—CHADDERTON—OLDHAM—OL9 9TU TEL:0616 6202029  
EMAIL:TECHNICAL@SAGITTARIUSTAPS.CO.UK