

SAGITTARIUS

TAPS & SHOWERING

TROPIC EXPOSED RIGID RISER & DIVERTER KIT CHROME RR/665/C

Construction Brass Body, Rail, Shower head (HPb59-1), equivalent to BS CZ122; NBR & Zinc-alloy Handle; Stainless steel Base plates

Finishes Chrome plated to BS EN 248

Product Type Contemporary

Water Pressure Tested Between Standards Min. 0.5 bar, Max. 6.0 bar
Complies with BSEN 1111

Certification -

Diverter 1/4 Turn 1/2" Ceramic disc valve diverter

Fitting Brass G3/4" BSP Female thread (Riser rail); Brass G1/2" BSP Female (Hose)

Guarantee 10 years against manufacturing faults (excluding serviceable parts)

Additional Information

1. Shower head : Chrome , Brass , Round 200mm
2. Shower handset : Chrome , ABS , 3 modes , G1/2" BSP
3. Hose : Chrome , Stainless steel , double interlock , 1.5m & 1.0m , G1/2" BSP
4. Handset holder : Chrome , ABS , adjustable height
5. Chrome Brass adjustable riser rail



Flow Rates (Litres per minute)

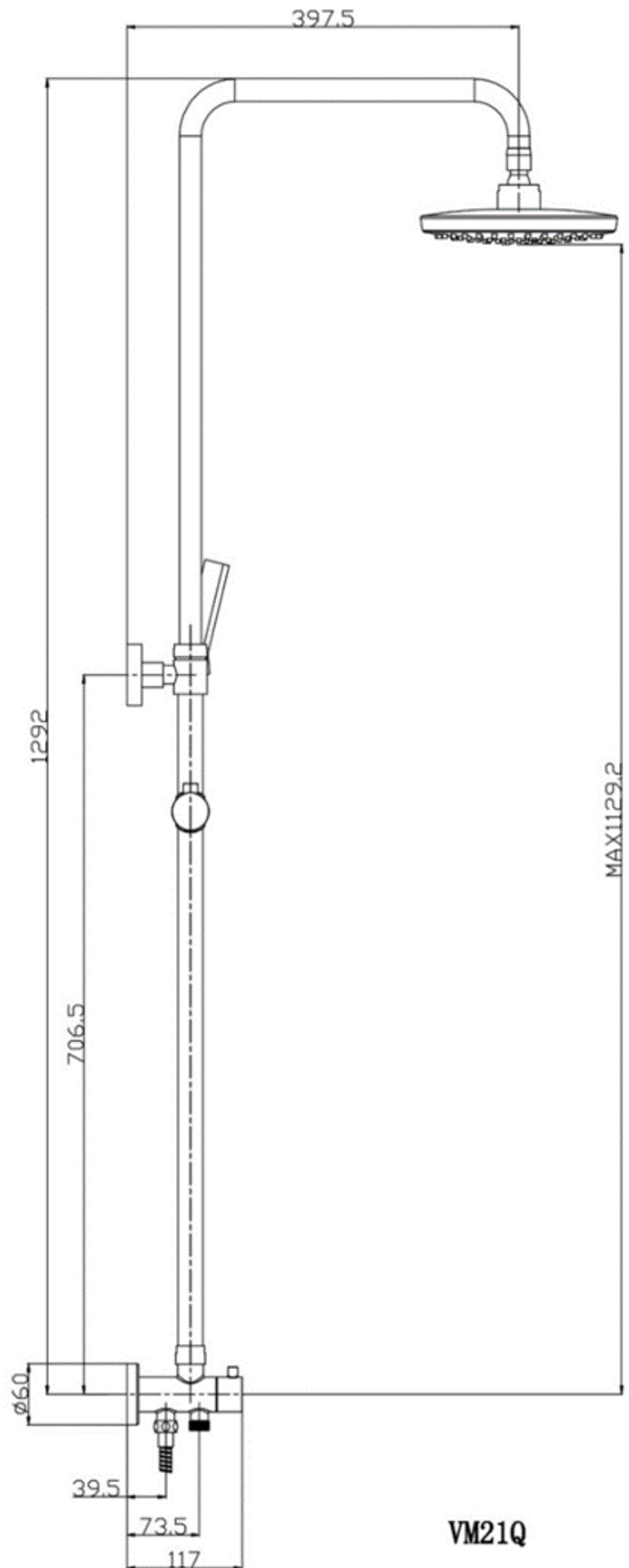
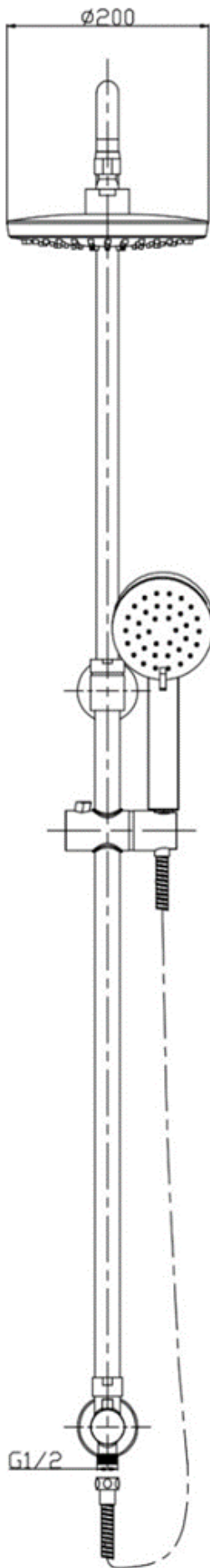
System Pressure	0.1 Bar	0.2 Bar	0.3 Bar	0.5 Bar	1.0 Bar	1.5 Bar	2.0 Bar	3.0 Bar	4.0 Bar	5.0 Bar
	2.5	4.2	5.7	7.9	11.5	13.9	16.1	19.9	23.1	26.0

The information contained on this page was correct at the date of issue. Fitting dimensions are provided as a guide only. Some variation may occur due to manufacturing tolerances. We pursue a policy of continuing improvement in design and performance of our products and so reserve the right to change specifications without prior notice

FOR FURTHER ADVICE PLEASE CONTACT :-

SAGITTARIUS LTD UNIT 1 LOWER VICTORIA STREET—CHADDERTON—OLDHAM—OL9 9TU TEL:0616 6202029

EMAIL:TECHNICAL@SAGITTARIUSTAPS.CO.UK

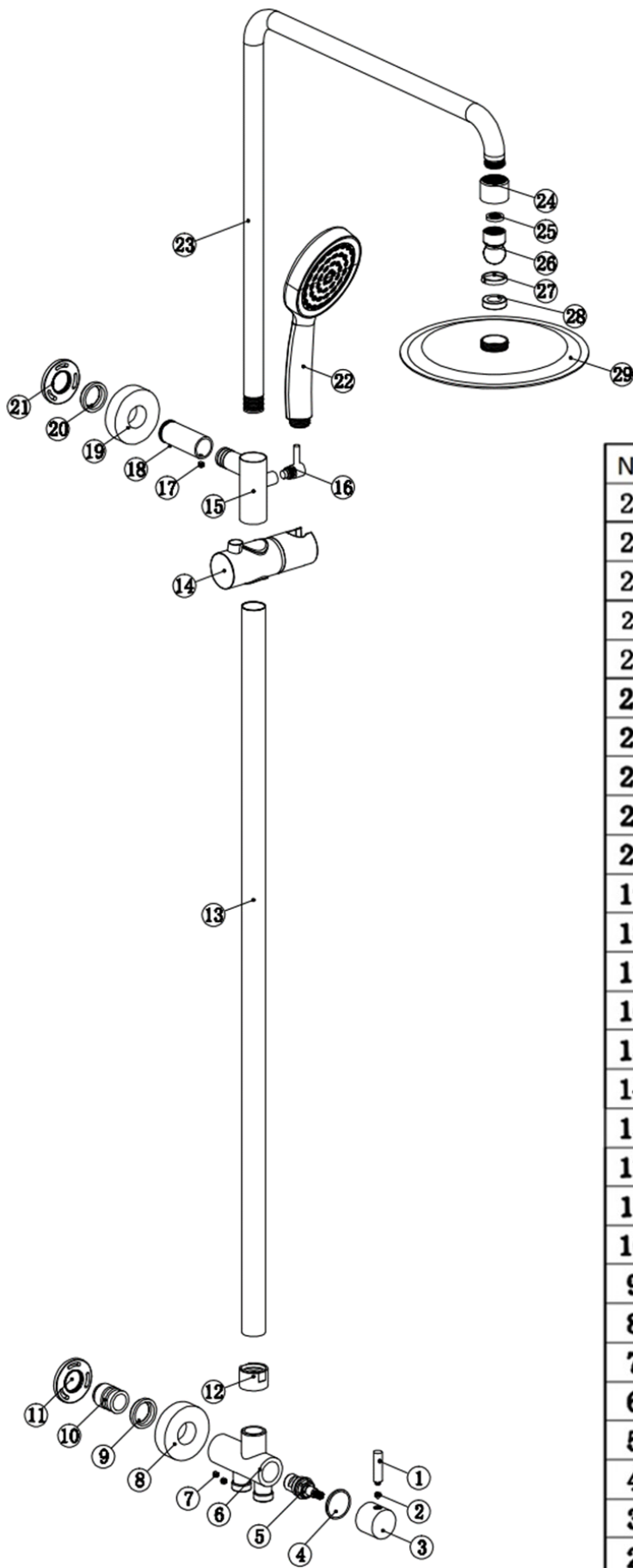


VM21Q

FOR FURTHER ADVICE PLEASE CONTACT :-

SAGITTARIUS LTD UNIT 1 LOWER VICTORIA STREET—CHADDERTON—OLDHAM—OL9 9TU TEL:0616 6202029

EMAIL:TECHNICAL@SAGITTARIUSTAPS.CO.UK



No	Name	Qty
29	Shower head	1
28	Washer	1
27	Clamp ring	1
26	Ball connector	1
25	Filter	1
24	Nut	1
23	Riser Rail	1
22	Handset	1
21	Fixing plate	1
20	O Ring	1
19	Wall plate	1
18	Connector	1
17	Grub	1
16	Tighting handle	1
15	Rail connector	1
14	Handset holder	1
13	Rail	1
12	Rail nut	1
11	Fixing plate	1
10	Connector	1
9	O Ring	1
8	Wall plate	1
7	Grub	2
6	Diverter	1
5	Diverter cartridge	1
4	O Ring	1
3	Handle	1
2	Grub	1
1	Handle lever	1

R FURTHER ADVICE PLEASE CONTACT :-

SAGITTARIUS LTD UNIT 1 LOWER VICTORIA STREET—CHADDERTON—OLDHAM—OL9 9TU TEL:0616 6202029

EMAIL:TECHNICAL@SAGITTARIUSTAPS.CO.UK