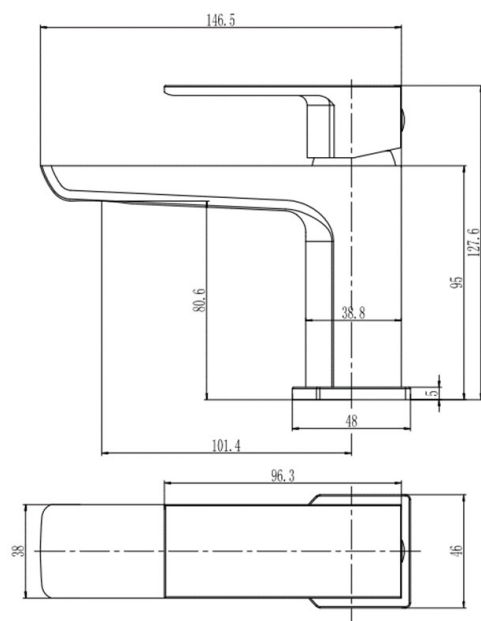


SAGITTARIUS

TAPS & SHOWERING

Construction	Brass Body, Zinc-alloy Handle
Finishes	Matt Black
Product Type	Contemporary
Water Pressure Tested Between Standards	Min. 0.1 bar, Max. 6.0 bar
Cartridge	Complies with BS6920, BS EN200
Fitting	35mm Ceramic disc cartridge UK: M10 x 350mm G½" BSP Female Flexi Tails EU: M10 x 350mm G3/8" BSP Female Flexi Tails
Aerator	M24*1 Spout aerator
Guarantee	5 years against manufacturing faults (excluding serviceable parts) Supplied with G1¼" slotted sprung waste (UK only)
Additional Information	

RAVENNA MINI BASIN MONO MIXER RA/186/B



LOW PRESSURE
0.2-0.5 bar



COMBI BOILER



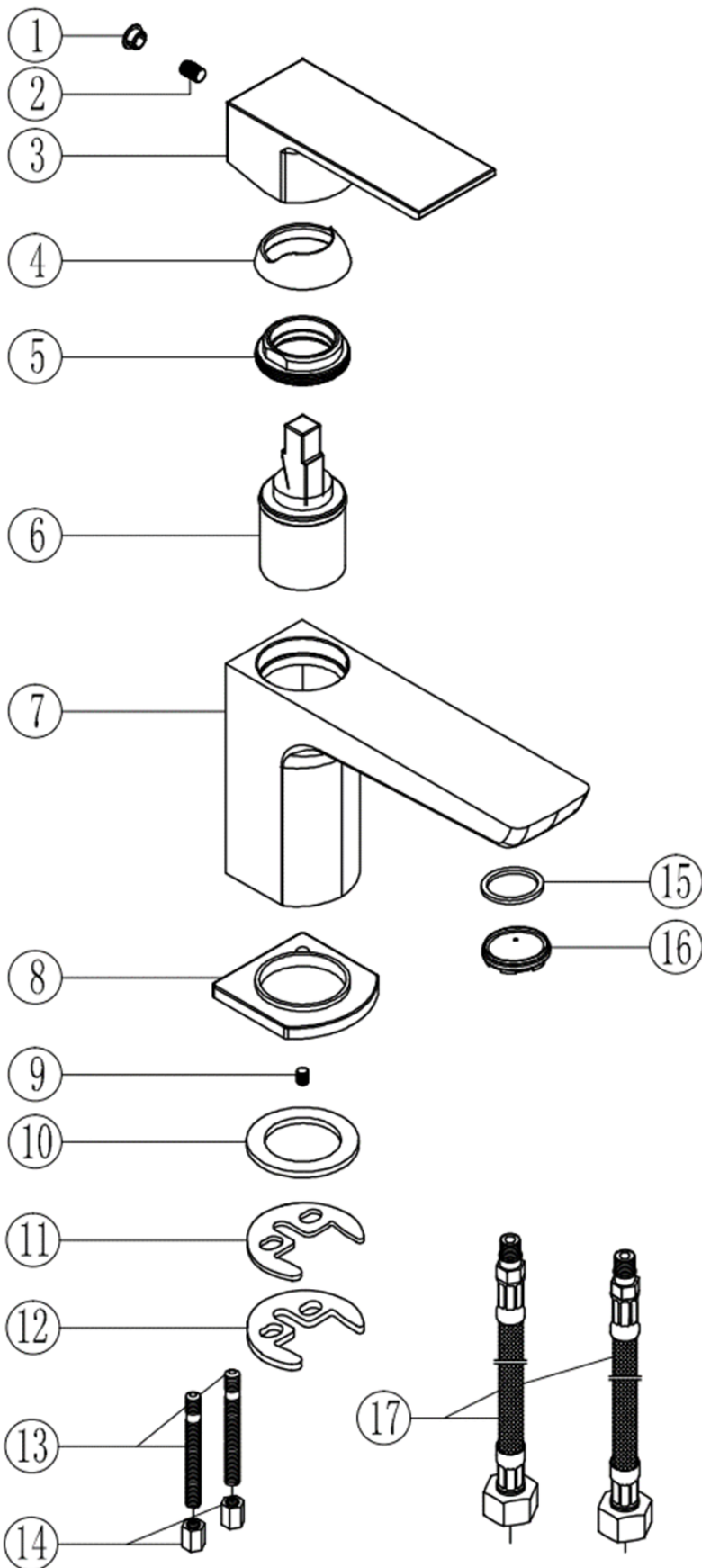
HIGH PRESSURE
1.2- 1.5+ bar

The information contained on this page was correct at the date of issue. Fitting dimensions are provided as a guide only. Some variation may occur due to manufacturing tolerances. We pursue a policy of continuing improvement in design and performance of our products and so reserve the right to change specifications without prior notice

FOR FURTHER ADVICE PLEASE CONTACT :-
SAGITTARIUS LTD UNIT 1 LOWER VICTORIA STREET—CHADDERTON—OLDHAM—OL9 9TU TEL:0616 6202029
EMAIL:TECHNICAL@SAGITTARIUSTAPS.CO.UK

Flow Rates (Litres per minute)

System Pressure	0.1 Bar	0.2 Bar	0.3 Bar	0.5 Bar	1.0 Bar	1.5 Bar	2.0 Bar	3.0 Bar	4.0 Bar	5.0 Bar
	3.8	5.2	-	7.8	10.9	13.3	15.3	18.7	-	-



No.	DESCRIPTION	QTY
1	Dia. 6.8 COVER CAP	1
2	M5*8 GRUB SCREW	1
3	HANDLE	1
4	HANDLE COLLAR	1
5	CATRIDGE LOCK NUT	1
6	30mm CARTRIDGE	1
7	TAP BODY	1
8	BASE PLATE	1
9	M4*8 GRUB SCREW	1
10	WASHER	1
11	HORSE-SHOE WASHER	1
12	HORSE-SHOE PLATE	1
13	FIXING ROD	2
14	FIXING NUT	2
15	AERATOR WASHER	1
16	M24*1 AERATOR	1
17	FLEXI-TAILS	2
18	SLOTTED WASTE	1

FOR FURTHER ADVICE PLEASE CONTACT :-
 SAGITTARIUS LTD UNIT 1 LOWER VICTORIA STREET—CHADDERTON—OLDHAM—OL9 9TU TEL:0616 6202029
 EMAIL:TECHNICAL@SAGITTARIUSTAPS.CO.UK