

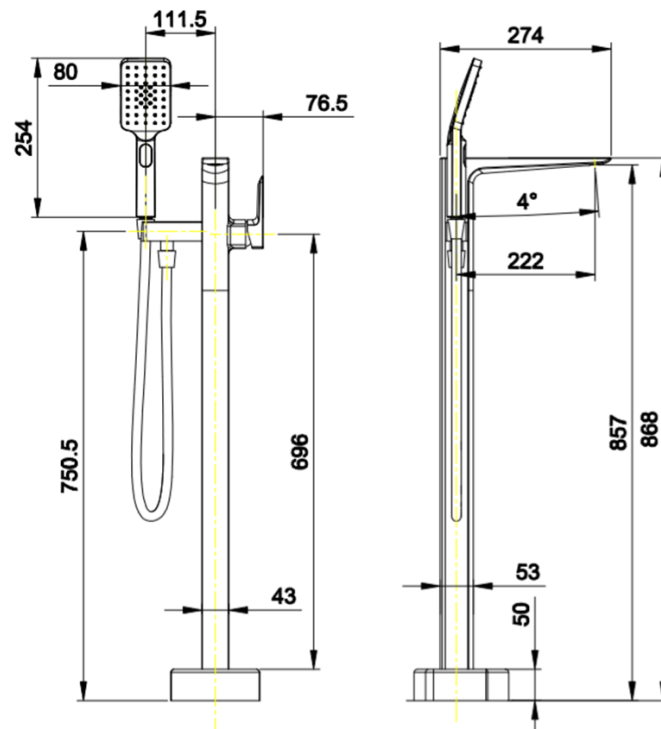
# SAGITTARIUS

## TAPS & SHOWERING

### RAVENNA FREESTANDING BATH SHOWER MIXER RA/174/BB

<b>Construction</b>	Brass Body, Zinc-alloy Handle
<b>Finishes</b>	Brushed Brass
<b>Product Type</b>	Contemporary
<b>Water Pressure Tested Between Standards</b>	Min. 0.2 bar (handset) 2.0 bar (spout), Max. 6.0 bar Complies with BS5412, BS EN200
<b>Cartridge</b>	35mm Ceramic disc cartridge
<b>Diverter</b>	Integrated pull and lock diverter at shower hose inlet
<b>Aerator</b>	Neoperl spout aerator
<b>Fitting</b>	M10x1*G3/4" BSP Female Flexible inlet connection hoses, 750mm
<b>Guarantee</b>	10 years against manufacturing faults (excluding serviceable parts)
<b>Additional Information</b>	Supplied with Brushed brass smooth PVC 1.5m shower hose and 3 modes ABS handset

#### Operating Water Pressure



The information contained on this page was correct at the date of issue. Fitting dimensions are provided as a guide only. Some variation may occur due to manufacturing tolerances. We pursue a policy of continuing improvement in design and performance of our products and so reserve the right to change specifications without prior notice

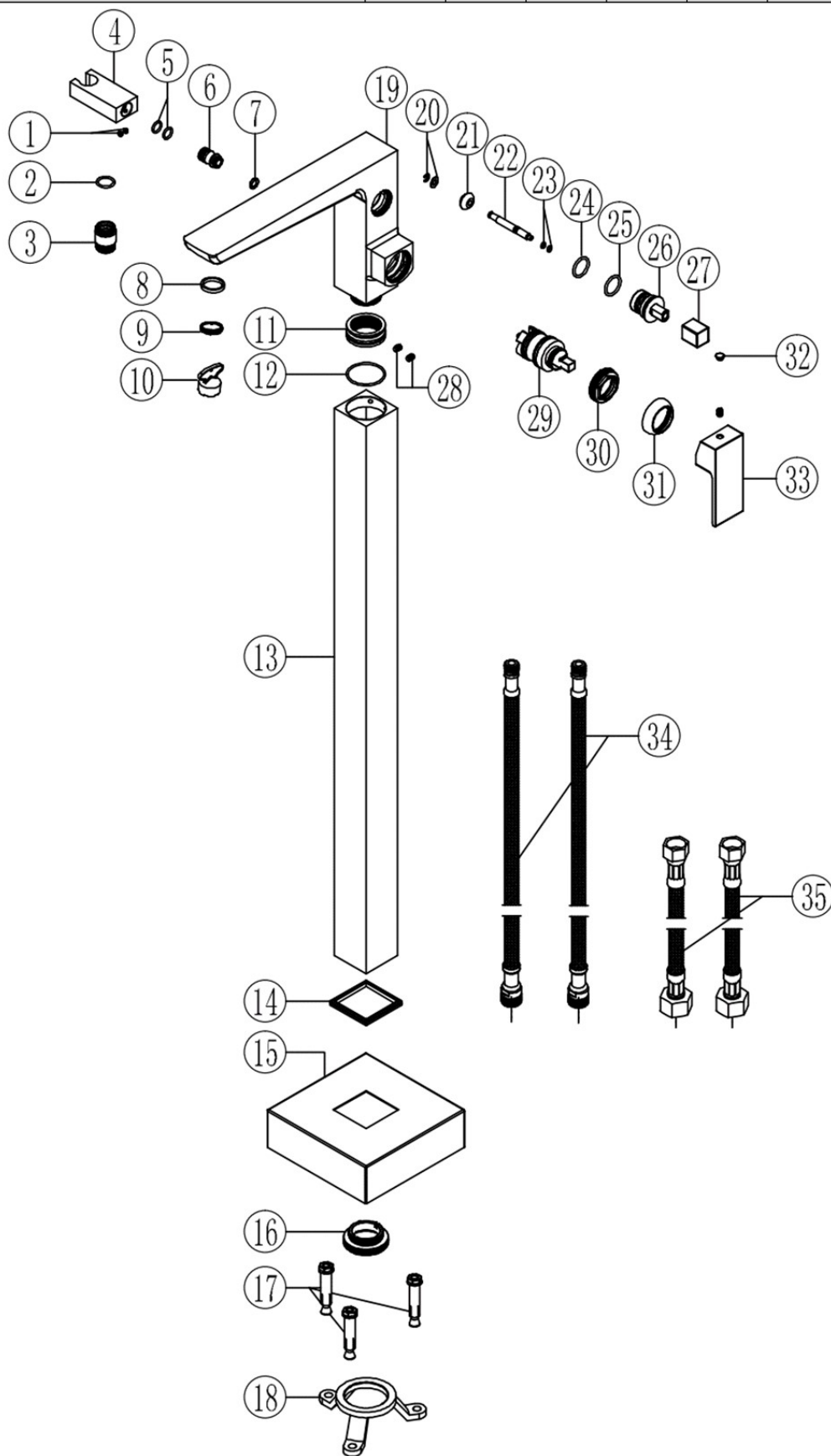
FOR FURTHER ADVICE PLEASE CONTACT :-

SAGITTARIUS LTD UNIT 1 LOWER VICTORIA STREET—CHADDERTON—OLDHAM—OL9 9TU TEL:0616 6202029

EMAIL:TECHNICAL@SAGITTARIUSTAPS.CO.UK

**Flow Rates** (Litres per minute)

System Pressure	0.1 Bar	0.2 Bar	0.3 Bar	0.5 Bar	1.0 Bar	1.5 Bar	2.0 Bar	3.0 Bar	4.0 Bar	5.0 Bar
	-	4.8	-	7.5	10.7	12.6	14.9	17.8	-	-



No.	DESCRIPTION	QTY
1	M4*4 GRUB SCREW	2
2	Ø20*2 NBR O-RING	1
3	G1/2" HANSET CONNECTOR	1
4	BRASS HANDSET HOLDER	1
5	Ø14*2 NBR O-RING	2
6	12*1 BRASS CONNECTOR	1
7	Ø10*2 NBR O-RING	1
8	Ø25*Ø21*3.5 SPOUT WASHER	1
9	M24*1 ABS AERATOR	1
10	M24*1 AERATOR REMOVAL KEY	1
11	M32X1.5 BRASS SPOUT CONNECTOR	1
12	Ø38*2 NBR O-RING	1
13	48*48 BRASS STANDPIPE	1
14	NBR STANDPIPE WASHER	1
15	S/STEEL SQUARE BASE PLATE	1
16	BRASS TWO-HEADED CONNECTOR	1
17	M8*60 S/STEEL ANCHOR BOLT	3
18	BRASS 3 LEG FLOOR ANCHOR	1
19	BRASS TAP BODY	1
20	S/STEEL WASHER	1
21	NBR DIVERTER WASHER	1
22	M5*63 BRASS DIVERTER STEM	1
23	Ø7*1.9 NBR O-RING	2
24	Ø24*2.4 NBR O-RING	1
25	Ø26*2.4 NBR O-RING	1
26	M24*1.5 BRASS DIVERTER	1
27	M5 BRASS SQUARE DIVERTER CAP	1
28	M5*6 S/STEEL GRUB SCREW	2
29	35mm CERAMIC DISC CARTRIDGE	1
30	35mm BRASS CARTRIDGE LOCK NUT	1
31	35mm ABS HANDLE COLLAR	1
32	HANDLE GRUB SCREW & COVER CAP	1
33	42 ZINC-ALLOY SQUARE HANDLE	1
34	M10*1*750mm FLEXITAIL	2
35	M15*1*1/2*110mm FLEXITAIL	2

FOR FURTHER ADVICE PLEASE CONTACT :-  
 SAGITTARIUS LTD UNIT 1 LOWER VICTORIA STREET—CHADDERTON—OLDHAM—OL9 9TU TEL:0616 6202029  
 EMAIL:TECHNICAL@SAGITTARIUSTAPS.CO.UK