

SAGITTARIUS

TAPS & SHOWERING

Construction Brass Body, Zinc-alloy Handles

Finishes Chrome plated

Product Type Contemporary

Water Pressure Tested Between Min. 0.2 bar, Max. 6.0 bar

Standards Complies with BS5412, BS EN200

Cartridge 35mm WANHAI Ceramic disc cartridge

Aerator Spout aerator

Fitting Two G1/2" x G1/2" BSP Flexible inlet connection hoses supplied (hot and cold)

Guarantee 10 years against manufacturing faults (excluding serviceable parts)

Operating Water Pressure

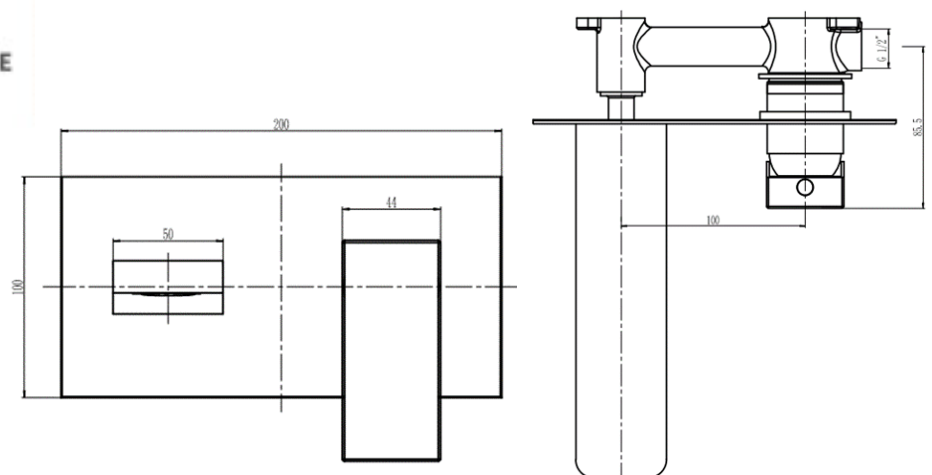
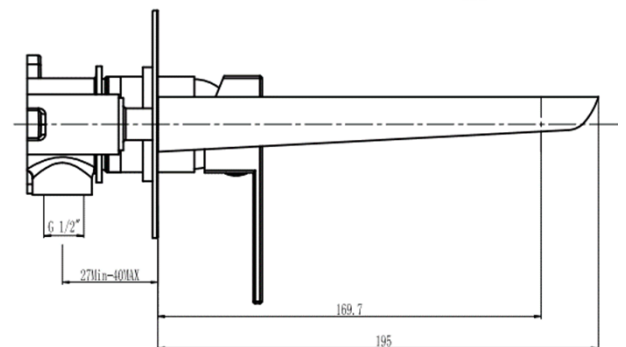


COMBI BOILER
1.2-1.5+ bar



HIGH PRESSURE
1.2-1.5+ bar

RAVENNA WALL MOUNTED BATH MIXER RA/117



The information contained on this page was correct at the date of issue. Fitting dimensions are provided as a guide only. Some variation may occur due to manufacturing tolerances. We pursue a policy of continuing improvement in design and performance of our products and so reserve the right to change specifications without prior notice

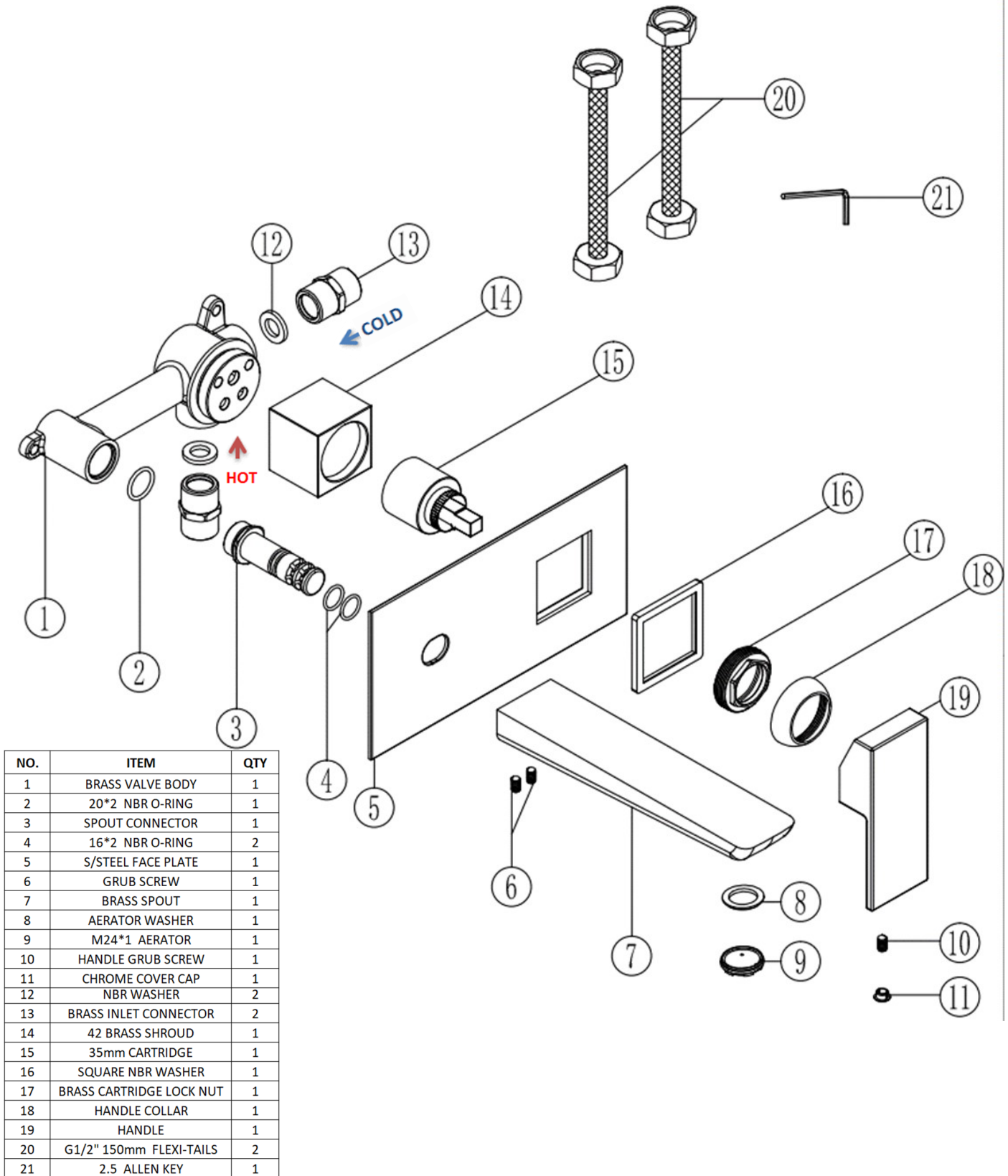
FOR FURTHER ADVICE PLEASE CONTACT :-

SAGITTARIUS LTD UNIT 1 LOWER VICTORIA STREET—CHADDERTON—OLDHAM—OL9 9TU TEL:0616 6202029

EMAIL:TECHNICAL@SAGITTARIUSTAPS.CO.UK

Flow Rates (Litres per minute)

System Pressure	0.1 Bar	0.2 Bar	0.3 Bar	0.5 Bar	1.0 Bar	1.5 Bar	2.0 Bar	3.0 Bar	4.0 Bar	5.0 Bar
	5.3	7.2	-	11.3	15.7	18.4	21.3	26.0	-	-



NO.	ITEM	QTY
1	BRASS VALVE BODY	1
2	20*2 NBR O-RING	1
3	SPOUT CONNECTOR	1
4	16*2 NBR O-RING	2
5	S/STEEL FACE PLATE	1
6	GRUB SCREW	1
7	BRASS SPOUT	1
8	AERATOR WASHER	1
9	M24*1 AERATOR	1
10	HANDLE GRUB SCREW	1
11	CHROME COVER CAP	1
12	NBR WASHER	2
13	BRASS INLET CONNECTOR	2
14	42 BRASS SHROUD	1
15	35mm CARTRIDGE	1
16	SQUARE NBR WASHER	1
17	BRASS CARTRIDGE LOCK NUT	1
18	HANDLE COLLAR	1
19	HANDLE	1
20	G1/2" 150mm FLEXI-TAILS	2
21	2.5 ALLEN KEY	1

FOR FURTHER ADVICE PLEASE CONTACT :-
 SAGITTARIUS LTD UNIT 1 LOWER VICTORIA STREET—CHADDERTON—OLDHAM—OL9 9TU TEL:0616 6202029
 EMAIL:TECHNICAL@SAGITTARIUSTAPS.CO.UK