

# SAGITTARIUS

## TAPS & SHOWERING

<b>Construction</b>	Brass Body, Zinc-alloy Handle
<b>Finishes</b>	Chrome (Ni : 8-12um, Cr : 0.25-0.3um)
<b>Product Type</b>	Contemporary
<b>Water Pressure</b>	Min. 0.2 bar, Max. 6.0 bar
<b>Standards</b>	Complies with BS6920, BS EN200
<b>Certification</b>	WRAS approved
<b>Cartridge</b>	35mm Ceramic disc cartridge
<b>Fitting</b>	UK: M10 x 350mm G½" BSP Female Flexi Tails EU: M10 x 350mm G3/8" BSP Female

### RAVENNA TALL MONO BASIN MIXER RA/109

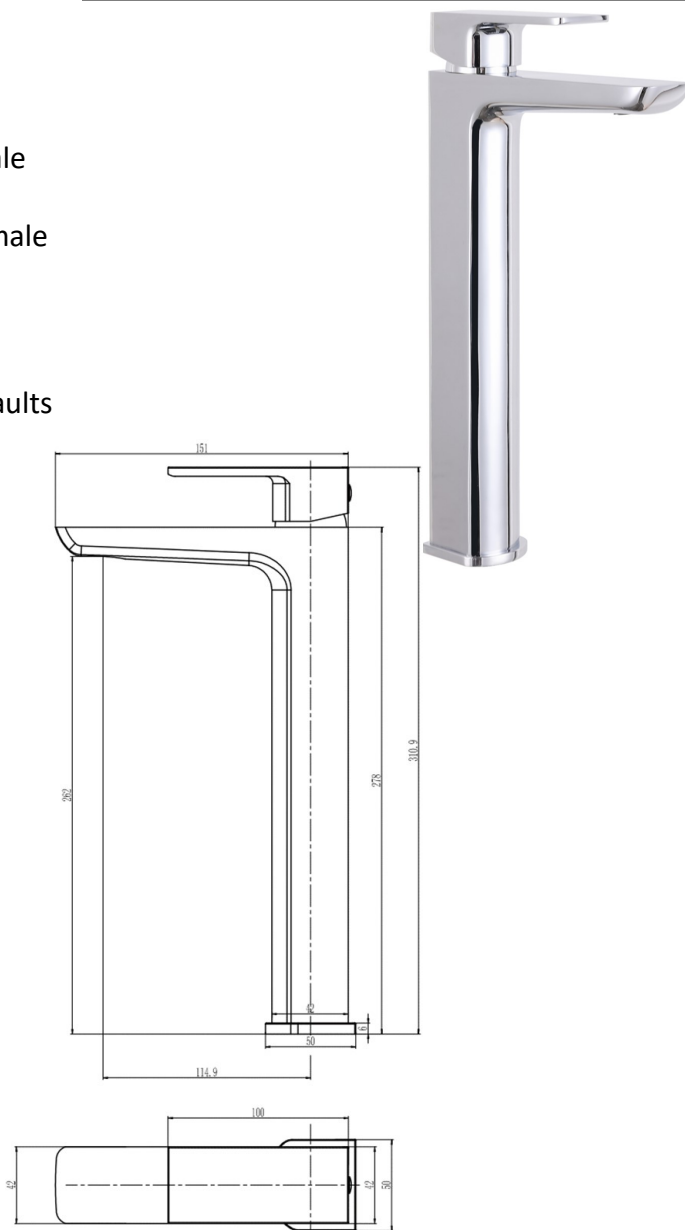
<b>Aerator</b>	M24*1 Spout aerator
<b>Guarantee</b>	10 years against manufacturing faults
<b>Operating Water Pressure</b>	



**COMBI BOILER**  
1.2 - 1.5+ bar



**HIGH PRESSURE**  
1.2 - 1.5+ bar



The information contained on this page was correct at the date of issue. Fitting dimensions are provided as a guide only. Some variation may occur due to manufacturing tolerances. We pursue a policy of continuing improvement in design and performance of our products and so reserve the right to change specifications without prior notice

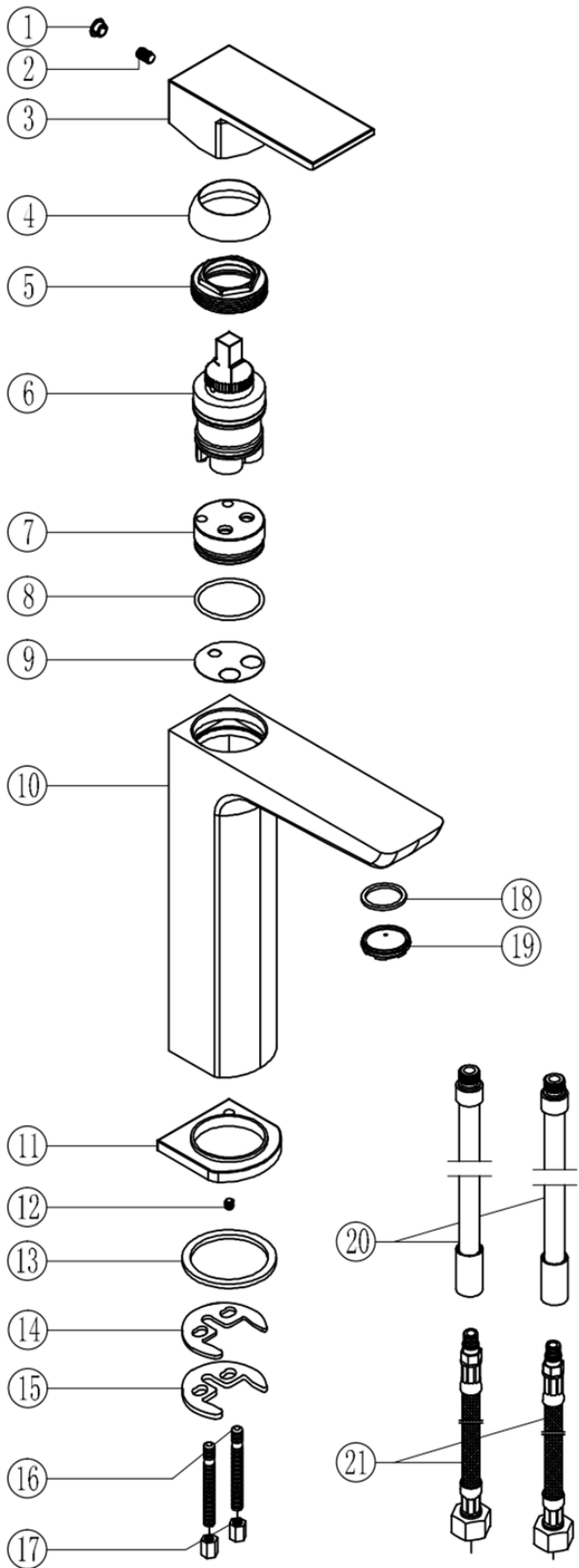
FOR FURTHER ADVICE PLEASE CONTACT :-

SAGITTARIUS LTD UNIT 1 LOWER VICTORIA STREET—CHADDERTON—OLDHAM—OL9 9TU TEL:0616 6202029

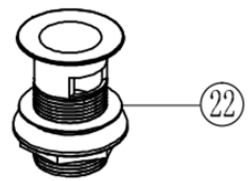
EMAIL:TECHNICAL@SAGITTARIUSTAPS.CO.UK

**Flow Rates** (Litres per minute)

System Pressure	0.1 Bar	0.2 Bar	0.3 Bar	0.5 Bar	1.0 Bar	1.5 Bar	2.0 Bar	3.0 Bar	4.0 Bar	5.0 Bar
	-	4.6	-	7.2	10.4	12.4	14.6	17.5	-	-



No.	DESCRIPTION	QTY
1	Ø6.8 ABS COVER CAP	1
2	M5*8 S/S GRUB SCREW	1
3	ZINC-ALLOY HANDLE	1
4	BRASS HANDLE COLLAR	1
5	BRASS CATRIDGE LOCK NUT	1
6	35mm CERAMIC DISC CARTRIDGE	1
7	M10x1 CARTRIDGE BASE	1
8	34*2 NBR O-RING	1
9	0.3 S/STEEL WASHER	1
10	BRASS TAP BODY	1
11	ZINC-ALLOY BASE PLATE	1
12	M4*8 S/S GRUB SCREW	1
13	46*38*2.5 NBR BASE PLATE WASHER	1
14	HORSE-SHOE WASHER	1
15	HORSE-SHOE PLATE	1
16	M6*70 STEEL FIXING ROD	2
17	SW9*12 BRASS FIXING NUT	2
18	23*16*3 NBR AERATOR WASHER	1
19	M24*1 AERATOR	1
20	M10*1 COPPER PIPE	2
21	M10*1*G1/2*400 FLEXI-TAILS	2



FOR FURTHER ADVICE PLEASE CONTACT :-  
 SAGITTARIUS LTD UNIT 1 LOWER VICTORIA STREET—CHADDERTON—OLDHAM—OL9 9TU TEL:0616 6202029  
 EMAIL:TECHNICAL@SAGITTARIUSTAPS.CO.UK