

SAGITTARIUS

TAPS & SHOWERING

Construction Brass Body, Zinc-alloy Handle

Finishes Brushed Brass

Product Type Contemporary

Water Pressure Tested Between Min. 0.2 bar, Max. 6.0 bar

Fitting UK: M10 x 350mm G½" BSP Female
Flexi Tails
EU: M10 x 350mm G3/8" BSP Female
Flexi Tails

Guarantee 10 years against manufacturing faults
(excluding serviceable parts)

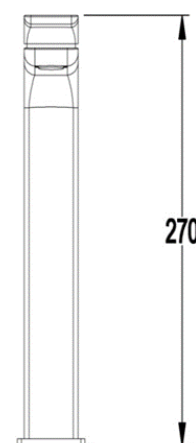
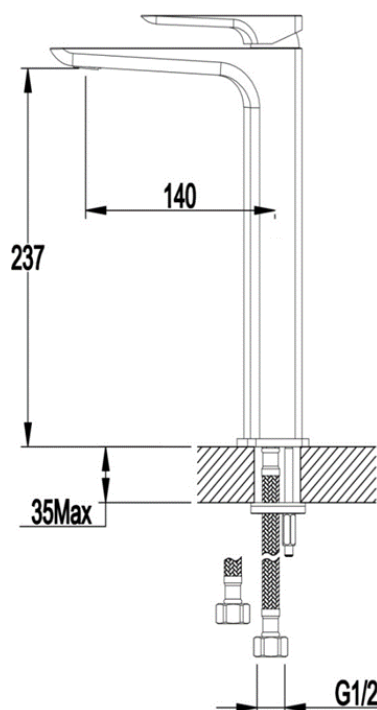
Operating Water Pressure



COMBI BOILER
1.2 - 1.5+ bar



HIGH PRESSURE
1.2 - 1.5+ bar



The information contained on this page was correct at the date of issue. Fitting dimensions are provided as a guide only. Some variation may occur due to manufacturing tolerances. We pursue a policy of continuing improvement in design and performance of our products and so reserve the right to change specifications without prior notice

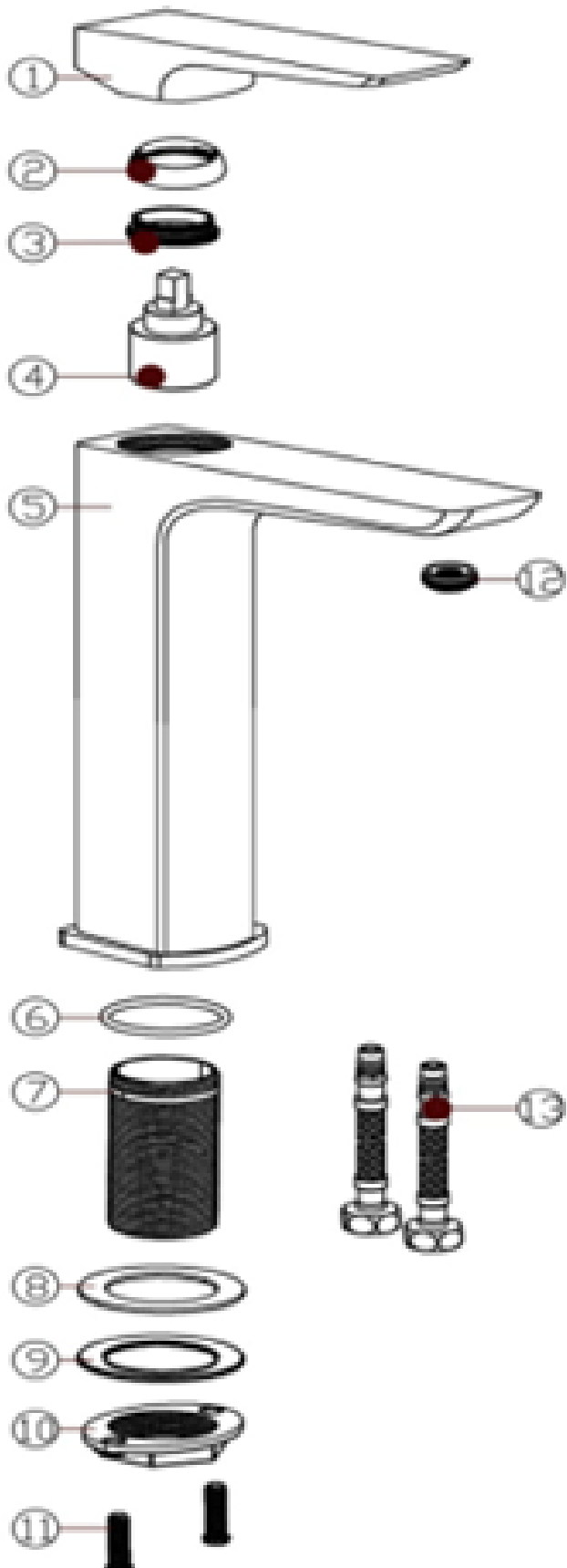
FOR FURTHER ADVICE PLEASE CONTACT :-

SAGITTARIUS LTD UNIT 1 LOWER VICTORIA STREET—CHADDERTON—OLDHAM—OL9 9TU TEL:0616 6202029

EMAIL:TECHNICAL@SAGITTARIUSTAPS.CO.UK

Flow Rates (Litres per minute)

System Pressure	0.1 Bar	0.2 Bar	0.3 Bar	0.5 Bar	1.0 Bar	1.5 Bar	2.0 Bar	3.0 Bar	4.0 Bar	5.0 Bar
D08BB	2.6	3.4	-	5.7	6.3	9.0	-	-	-	-



13		HOSE	2
12		AERATOR	1
11		SCREW	2
10		NUT	1
9		O RING	1
8		O RING	1
7		TAIL	1
6		O RING	1
5		BODY	1
4		CARTRIDGE	1
3		Cartridge nut	1
2		SHROUD	1
1		HANDLE	1
NO		NAME	QTY

FOR FURTHER ADVICE PLEASE CONTACT :-

SAGITTARIUS LTD UNIT 1 LOWER VICTORIA STREET—CHADDERTON—OLDHAM—OL9 9TU TEL:0616 6202029

EMAIL:TECHNICAL@SAGITTARIUSTAPS.CO.UK