

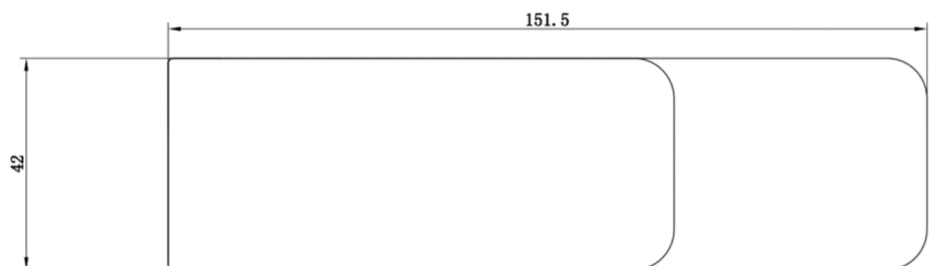
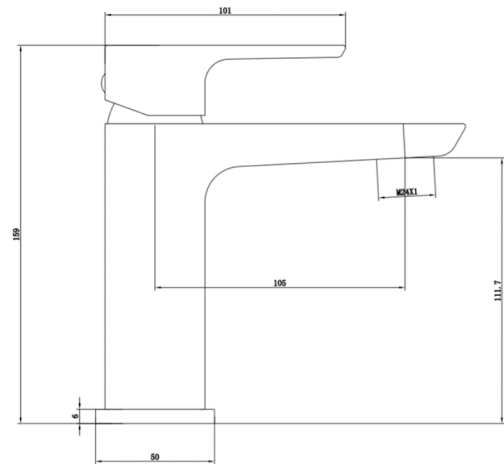
SAGITTARIUS

Construction	Brass body, Handle: Zinc Alloy
Finishes	Chrome : Ni : 8-12um, Cr : 0.25-0.3um
Product Type	Contemporary
Water Pressure	Min. 0.2 bar, Max. 6.0 bar
Plumbing Systems	Suitable for all plumbing systems
Standards	Complies with BS6920, BS EN200
Certification	CE, WRAS
Cartridge	35mm Citec® Ceramic Disc Cartridge UK: M10 x 350mm ½" BSP Female Flexi Tails . EU: M10x350mm 3/8" BSP Female Flexi Tails.
Fitting	Neoperl
Aerator	
Packaging	46 x 38 x 34cm / carton (8 boxes / carton)
Guarantee	10 years against manufacturing faults (excluding serviceable parts).
Additional Information	Supplied with G 1¼" sprung waste(UK only)

RAVENNA MONO BASIN

MIXER CHROME

RA/106/C



Flow Rates (Litres per minute)

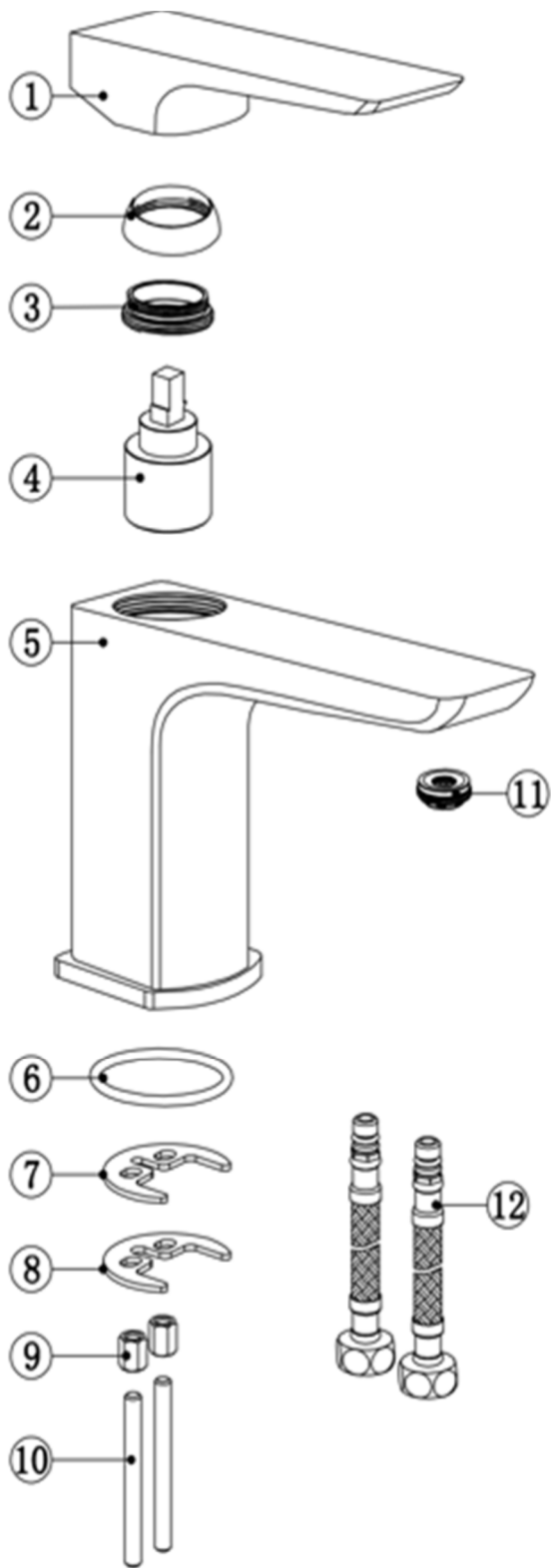
System Pressure	0.1 Bar	0.2 Bar	0.3 Bar	0.5 Bar	1.0 Bar	1.5 Bar	2.0 Bar	3.0 Bar	4.0 Bar	5.0 Bar
RA/106/C	4.3	5.7	-	9.0	12.5	15.1	17.5	21.2	-	-

The information contained on this page was correct at the date of issue. Fitting dimensions are provided as a guide only. Some variation may occur due to manufacturing tolerances. We pursue a policy of continuing improvement in design and performance of our products and so reserve the right to change specifications without prior notice

FOR FURTHER ADVICE PLEASE CONTACT :-

SAGITTARIUS LTD UNIT 1 LOWER VICTORIA STREET—CHADDERTON—OLDHAM—OL9 9TU TEL:0616 6202029

EMAIL:TECHNICAL@SAGITTARIUSTAPS.CO.UK



Index	Description	Qty.
1	Handle	1
2	Shroud	1
3	Nut	1
4	Cartridge	1
5	Body	1
6	O-ring	2
7	Horseshoe washer	1
8	Horseshoe	1
9	Screw	1
10	Screw stem	1
11	Aerator	1
12	Flexi tails	1

The information contained on this page was correct at the date of issue. Fitting dimensions are provided as a guide only. Some variation may occur due to manufacturing tolerances. We pursue a policy of continuing improvement in design and performance of our products and so reserve the right to change specifications without prior notice

FOR FURTHER ADVICE PLEASE CONTACT :-
 SAGITTARIUS LTD UNIT 1 LOWER VICTORIA STREET—CHADDERTON—OLDHAM—OL9 9TU TEL:0616 6202029
 EMAIL:TECHNICAL@SAGITTARIUSTAPS.CO.UK