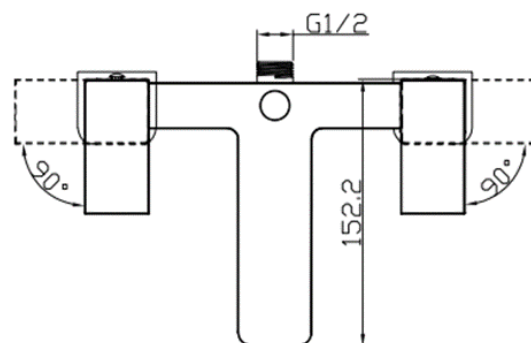


SAGITTARIUS

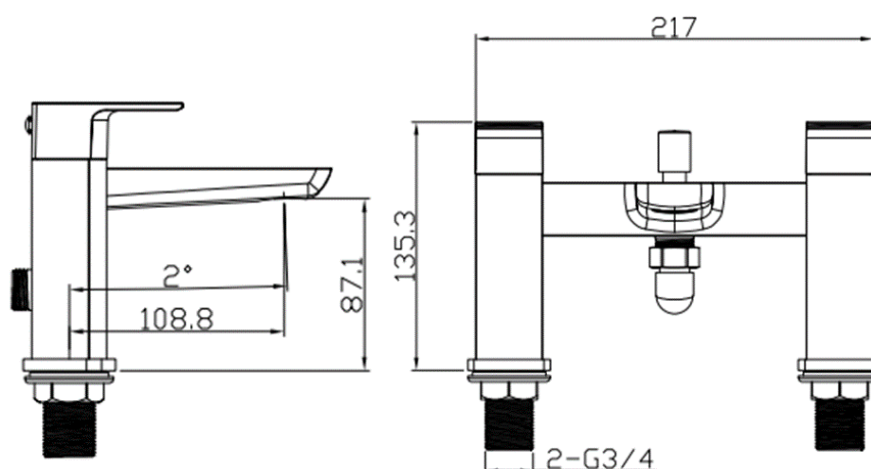
TAPS & SHOWERING

RAVENNA DECK MOUNTED BATH FILLER RA/105

Construction	Brass Body, Zinc-alloy Handles
Finishes	Chrome plated to BS EN 248
Product Type	Contemporary
Water Pressure Tested Between Standards	Min. 0.2 bar, Max. 6.0 bar Complies with BS5412, BS EN200
Certification	WRAS approved
Cartridge	1/4 Turn 3/4" Ceramic disc valves
Fitting	Brass G $\frac{3}{4}$ " BSP tails
Aerator	Neoperl spout aerator
Guarantee	10 years against manufacturing faults (excluding serviceable parts)
Additional Information	Supplied with Chrome stainless steel 1.5m hose, outlet hose elbow, single mode chrome ABS handset and wall mounted ABS holder



Operational Water Pressure



The information contained on this page was correct at the date of issue. Fitting dimensions are provided as a guide only. Some variation may occur due to manufacturing tolerances. We pursue a policy of continuing improvement in design and performance of our products and so reserve the right to change specifications without prior notice

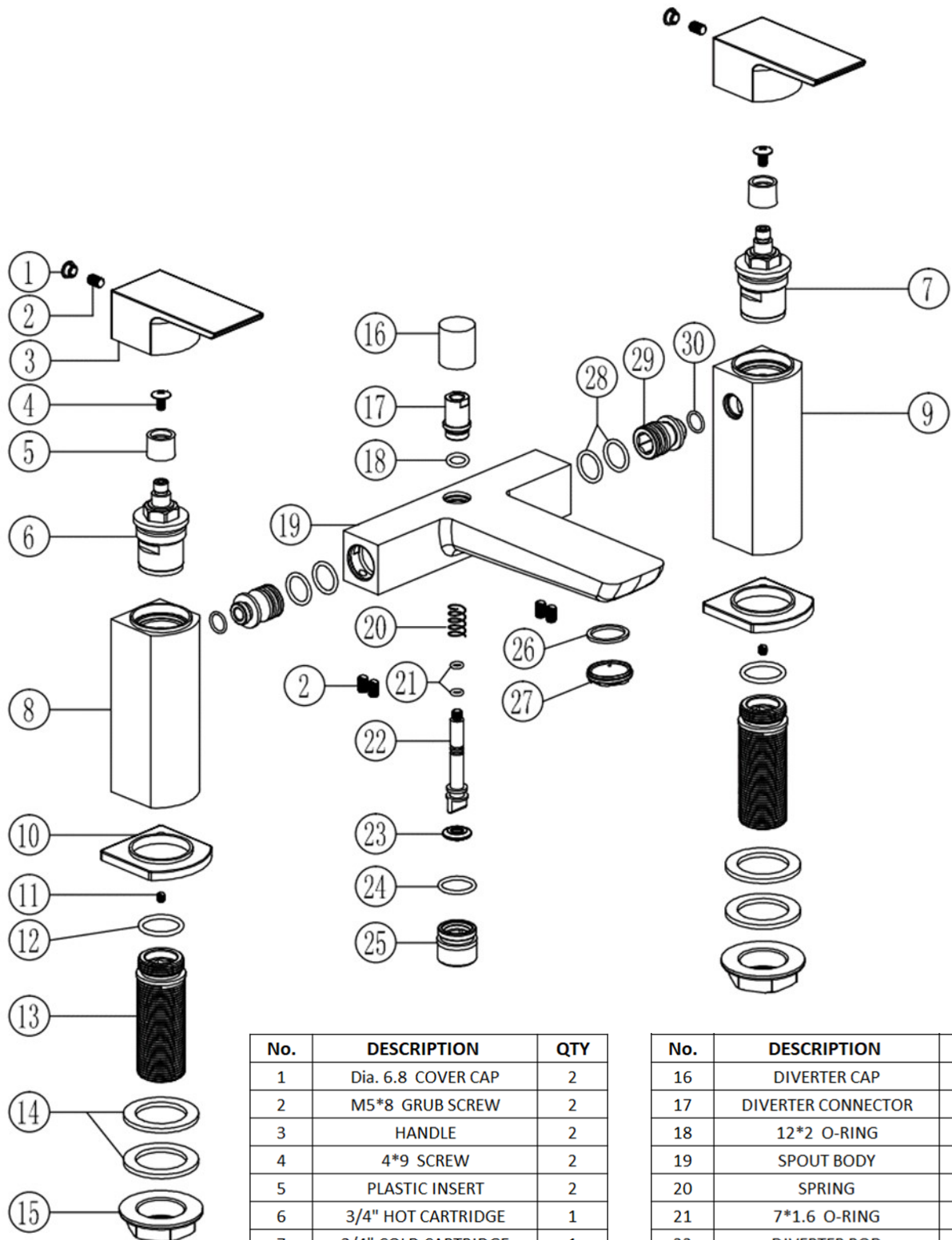
FOR FURTHER ADVICE PLEASE CONTACT :-

SAGITTARIUS LTD UNIT 1 LOWER VICTORIA STREET—CHADDERTON—OLDHAM—OL9 9TU TEL:0616 6202029

EMAIL:TECHNICAL@SAGITTARIUSTAPS.CO.UK

Flow Rates (Litres per minute)

System Pressure	0.1 Bar	0.2 Bar	0.3 Bar	0.5 Bar	1.0 Bar	1.5 Bar	2.0 Bar	3.0 Bar	4.0 Bar	5.0 Bar
	7.5	10.8	-	16.5	23.5	28.2	32.6	39.5	-	-



No.	DESCRIPTION	QTY
1	Dia. 6.8 COVER CAP	2
2	M5*8 GRUB SCREW	2
3	HANDLE	2
4	4*9 SCREW	2
5	PLASTIC INSERT	2
6	3/4" HOT CARTRIDGE	1
7	3/4" COLD CARTRIDGE	1
8	HOT PILLAR	1
9	COLD PILLAR	1
10	BASE PLATE	2
11	M4*8 GRUB SCREW	2
12	31*2 O-RING	2
13	G3/4" BSP TAIL	2
14	3/4" WASHERS	2
15	3/4" PLASTIC LOCK NUT	2

No.	DESCRIPTION	QTY
16	DIVERTER CAP	1
17	DIVERTER CONNECTOR	1
18	12*2 O-RING	1
19	SPOUT BODY	1
20	SPRING	1
21	7*1.6 O-RING	2
22	DIVERTER ROD	1
23	DIVERTER DISC	1
24	20*2 O-RING	1
25	OUTLET CONNECTOR	1
26	21.8*17.8 AERATOR WASHER	1
27	M24*1 AERATOR	1
28	18*2 O-RING	4
29	CONNECTOR	2
30	12*2 O-RING	2