

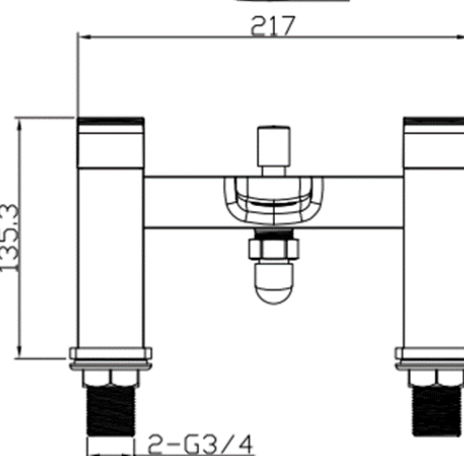
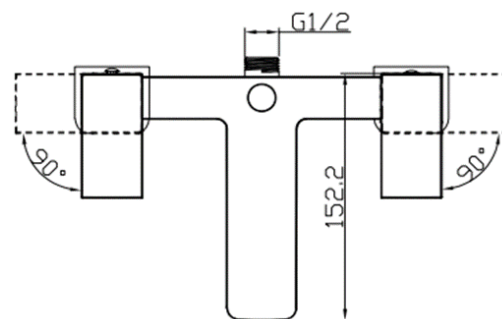
# SAGITTARIUS

## TAPS & SHOWERING

<b>Construction</b>	Brass Body
<b>Finishes</b>	Matt Black
<b>Product Type</b>	Contemporary
<b>Water Pressure</b>	Min. 0.5 bar, Max. 6.0 bar
<b>Cartridge</b>	1/4 Turn 3/4" Ceramic disc valves
<b>Fitting</b>	Brass G $\frac{3}{4}$ " BSP tails
<b>Aerator</b>	Neoperl Spout aerator
<b>Guarantee</b>	5 years against manufacturing
<b>Additional Information</b>	Supplied with Matt black smooth PVC 1.5m hose, single mode ABS handset and wall

### RAVENNA MATT BLACK DECK MOUNTED BATH SHOWER MIX-ER

RA/105/B



### Operational Water Pressure



**LOW PRESSURE**  
0.2 - 0.5 bar



**COMBI BOILER**



**HIGH PRESSURE**  
1.2 - 1.5+ bar

The information contained on this page was correct at the date of issue. Fitting dimensions are provided as a guide only. Some variation may occur due to manufacturing tolerances. We pursue a policy of continuing improvement in design and performance of our products and so reserve the right to change specifications without prior notice

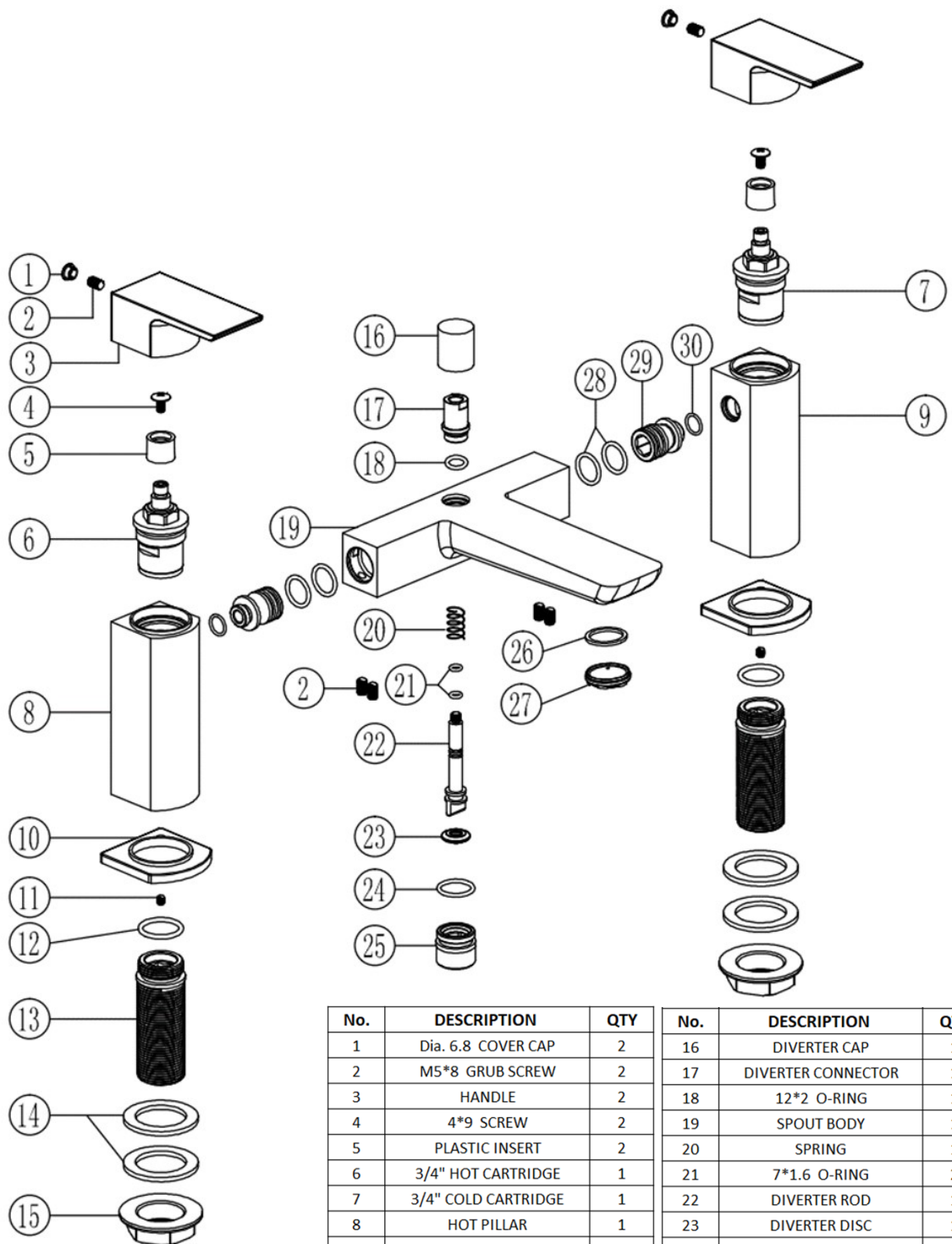
FOR FURTHER ADVICE PLEASE CONTACT :-

SAGITTARIUS LTD UNIT 1 LOWER VICTORIA STREET—CHADDERTON—OLDHAM—OL9 9TU TEL:0616 6202029

EMAIL:TECHNICAL@SAGITTARIUSTAPS.CO.UK

**Flow Rates** (Litres per minute)

System Pressure	0.1 Bar	0.2 Bar	0.3 Bar	0.5 Bar	1.0 Bar	1.5 Bar	2.0 Bar	3.0 Bar	4.0 Bar	5.0 Bar
	7.5	10.8	-	16.5	23.5	28.2	32.6	39.5	-	-



No.	DESCRIPTION	QTY	No.	DESCRIPTION	QTY
1	Dia. 6.8 COVER CAP	2	16	DIVERter CAP	1
2	M5*8 GRUB SCREW	2	17	DIVERter CONNECTOR	1
3	HANDLE	2	18	12*2 O-RING	1
4	4*9 SCREW	2	19	SPOUT BODY	1
5	PLASTIC INSERT	2	20	SPRING	1
6	3/4" HOT CARTRIDGE	1	21	7*1.6 O-RING	2
7	3/4" COLD CARTRIDGE	1	22	DIVERter ROD	1
8	HOT PILLAR	1	23	DIVERter DISC	1
9	COLD PILLAR	1	24	20*2 O-RING	1
10	BASE PLATE	2	25	OUTLET CONNECTOR	1
11	M4*8 GRUB SCREW	2	26	21.8*17.8 AERATOR WASHER	1
12	31*2 O-RING	2	27	M24*1 AERATOR	1
13	G3/4" BSP TAIL	2	28	18*2 O-RING	4
14	3/4" WASHERS	2	29	CONNECTOR	2
15	3/4" PLASTIC LOCK NUT	2	30	12*2 O-RING	2

FOR FURTHER ADVICE PLEASE CONTACT :-

SAGITTARIUS LTD UNIT 1 LOWER VICTORIA STREET—CHADDERTON—OLDHAM—OL9 9TU TEL:0616 6202029

EMAIL:TECHNICAL@SAGITTARIUSTAPS.CO.UK