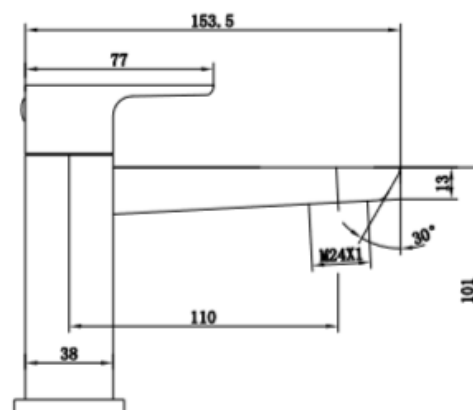
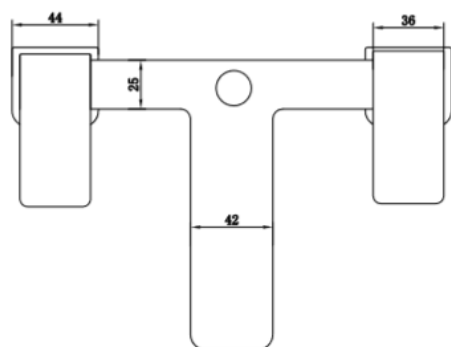
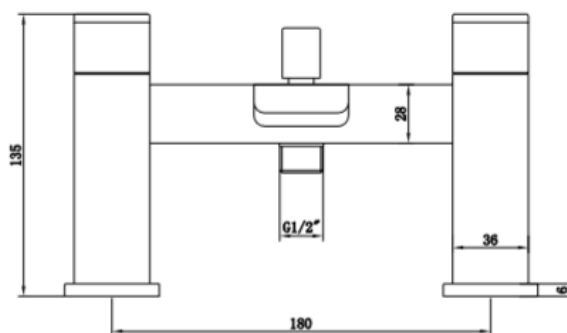


SAGITTARIUS

TAPS & SHOWERING

RAVENNA BATH SHOWER MIXER CHROME RA/105/C

Construction	Brass Body CuZn40Pb2, EN CW617N (equivalent to BS CZ122)
Finishes	Chrome plated to BS EN 248
Product Type	Contemporary
Water Pressure	Min. 0.2 bar, Max. 6.0 bar
Plumbing Systems	Suitable for all plumbing systems
Standards	Complies with BS5412, BS EN200
Certification	Manufactured to comply with WRAS
Cartridge	1/4 Turn 3/4" Ceramic Disc Valves
Fitting	3/4" BSP tails
Aerator	Neoperl aerator
Packaging	49 x 28 x 34.5cm / carton (4 boxes / carton); Box size: 24.5x21.5x15.5cm; Weight: 3.2kg/box
Guarantee	10 years against manufacturing faults (excluding serviceable parts).
Additional Information	Supplied with PVC 1.5m hose, wall bracket and single mode chrome ABS handset



Flow Rates (Litres per minute)

System Pressure	0.1 Bar	0.2 Bar	0.3 Bar	0.5 Bar	1.0 Bar	1.5 Bar	2.0 Bar	3.0 Bar	4.0 Bar	5.0 Bar
RA/105/C	7.5	10.8	-	16.5	23.5	28.2	32.6	39.5	-	-

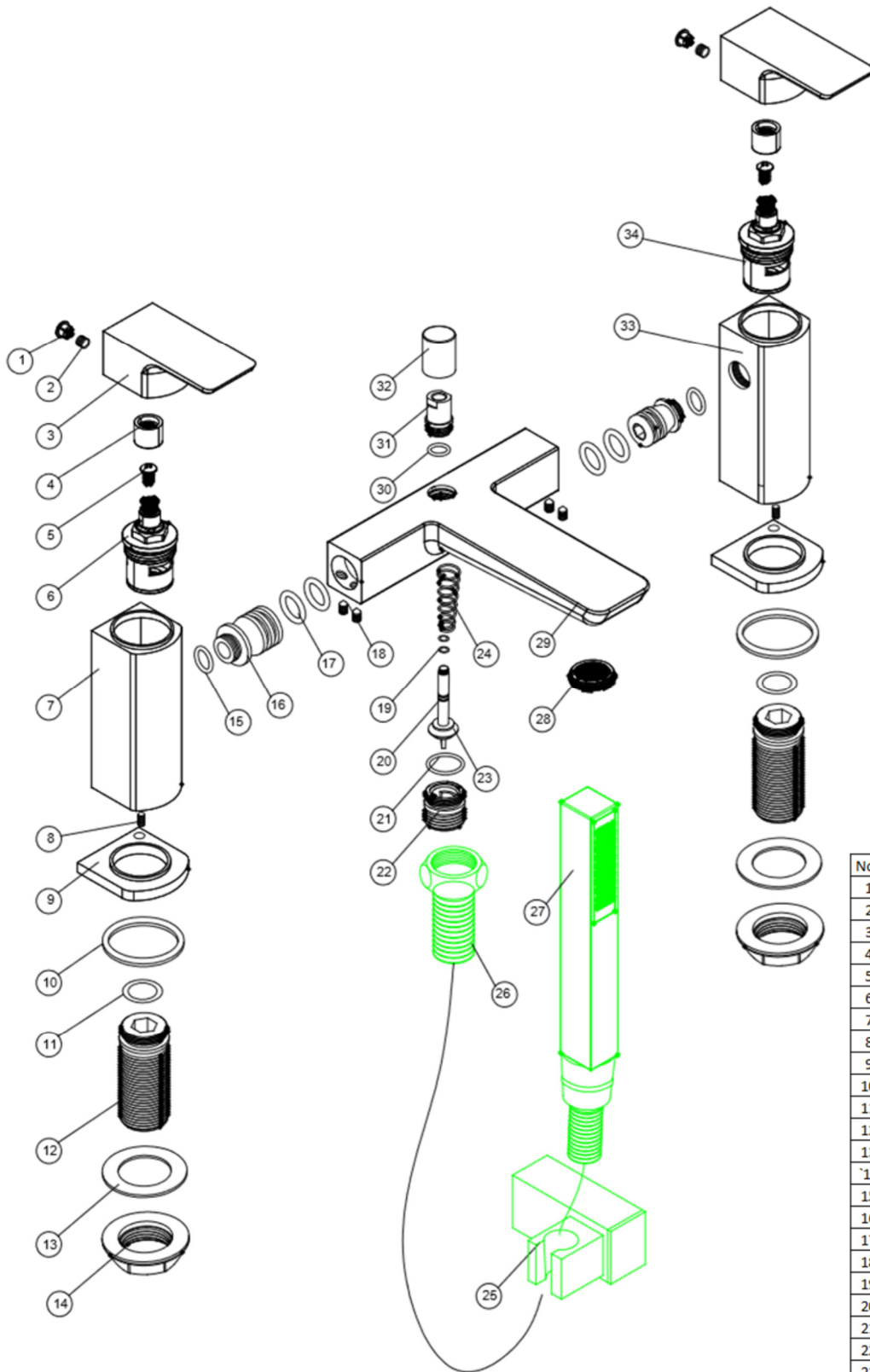
The information contained on this page was correct at the date of issue. Fitting dimensions are provided as a guide only. Some variation may occur due to manufacturing tolerances. We pursue a policy of continuing improvement in design and performance of our products and so reserve the right to change specifications without prior notice

FOR FURTHER ADVICE PLEASE CONTACT :-

SAGITTARIUS LTD UNIT 1 LOWER VICTORIA STREET—CHADDERTON—OLDHAM—OL9 9TU TEL:0616 6202029

EMAIL:TECHNICAL@SAGITTARIUSTAPS.CO.UK

EXPLODED DIAGRAM RA/105/C



No.	DESCRIPTION	QUANTITY
1	COVER	2
2	GRUB SCREW	2
3	HANDLE	2
4	PLASTIC CORE	2
5	SCREW	2
6	CARTRIDGE	1
7	LEFT BODY	1
8	SCREW	2
9	BASE PLATE	2
10	WASHER	2
11	O-RING	2
12	3/4" INLET	2
13	3/4" WASHER	2
14	BACK NUT	2
15	O-RING	2
16	CONNECTOR	2
17	O-RING	4
18	POINTED SCREW	4
19	O-RING	2
20	DIVERTER STEM	1
21	O-RING	1
22	HOSE CONNECTOR	1
23	SEAL WASHER	1
24	SHORT SPRING	1
25	BRACKET	1

The information contained on this page was correct at the date of issue. Fitting dimensions are provided as a guide only. Some variation may occur due to manufacturing tolerances. We pursue a policy of continuing improvement in design and performance of our products and so reserve the right to change specifications without prior notice

FOR FURTHER ADVICE PLEASE CONTACT :-
 SAGITTARIUS LTD UNIT 1 LOWER VICTORIA STREET—CHADDERTON—OLDHAM—OL9 9TU TEL:0616 6202029
 EMAIL:TECHNICAL@SAGITTARIUSTAPS.CO.UK