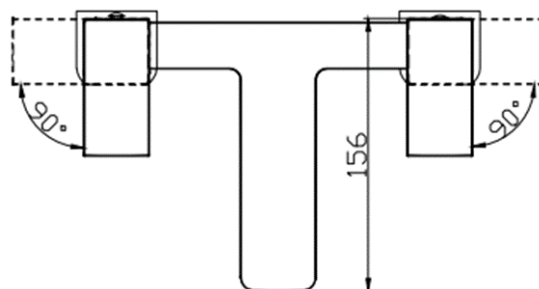


SAGITTARIUS

TAPS & SHOWERING

RAVENNA MATT GREY DECK MOUNTRAED BATH FILLER RA/104/GR

Construction	Brass Body; Zinc-alloy Handles
Finishes	Matt Grey
Product Type	Contemporary
Water Pressure Tested Between	Min. 0.2 bar, Max. 6.0 bar
Standards	Complies with BS5412, BS EN200
Certification	Manufactured to comply with WRAS standards
Cartridge	1/4 Turn G3/4 Ceramic disc valves
Fitting	Brass G $\frac{3}{4}$ " BSP tails
Aerator	Neoperl spout aerator
Guarantee	5 years against manufacturing faults (excluding serviceable parts)



Operational Water Pressure



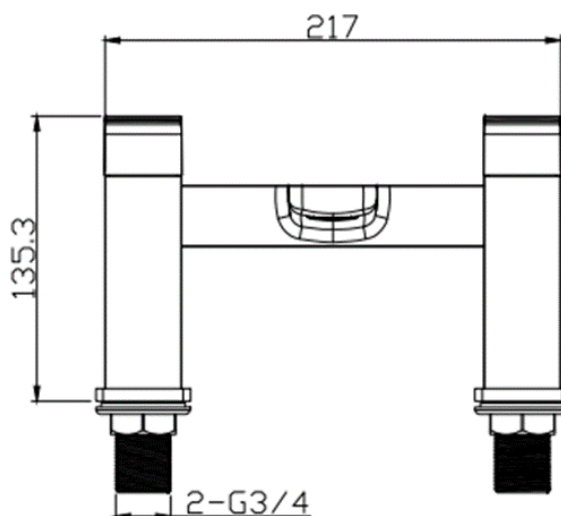
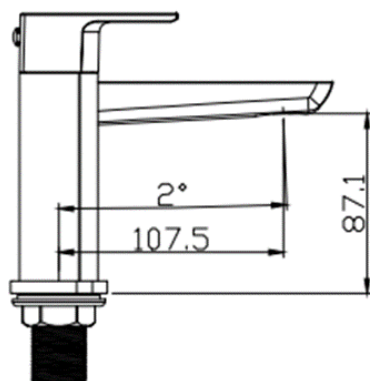
LOW PRESSURE
0.2 - 0.5 bar



COMBI BOILER



HIGH PRESSURE
1.2 - 1.5+ bar



The information contained on this page was correct at the date of issue. Fitting dimensions are provided as a guide only. Some variation may occur due to manufacturing tolerances. We pursue a policy of continuing improvement in design and performance of our products and so reserve the right to change specifications without prior notice

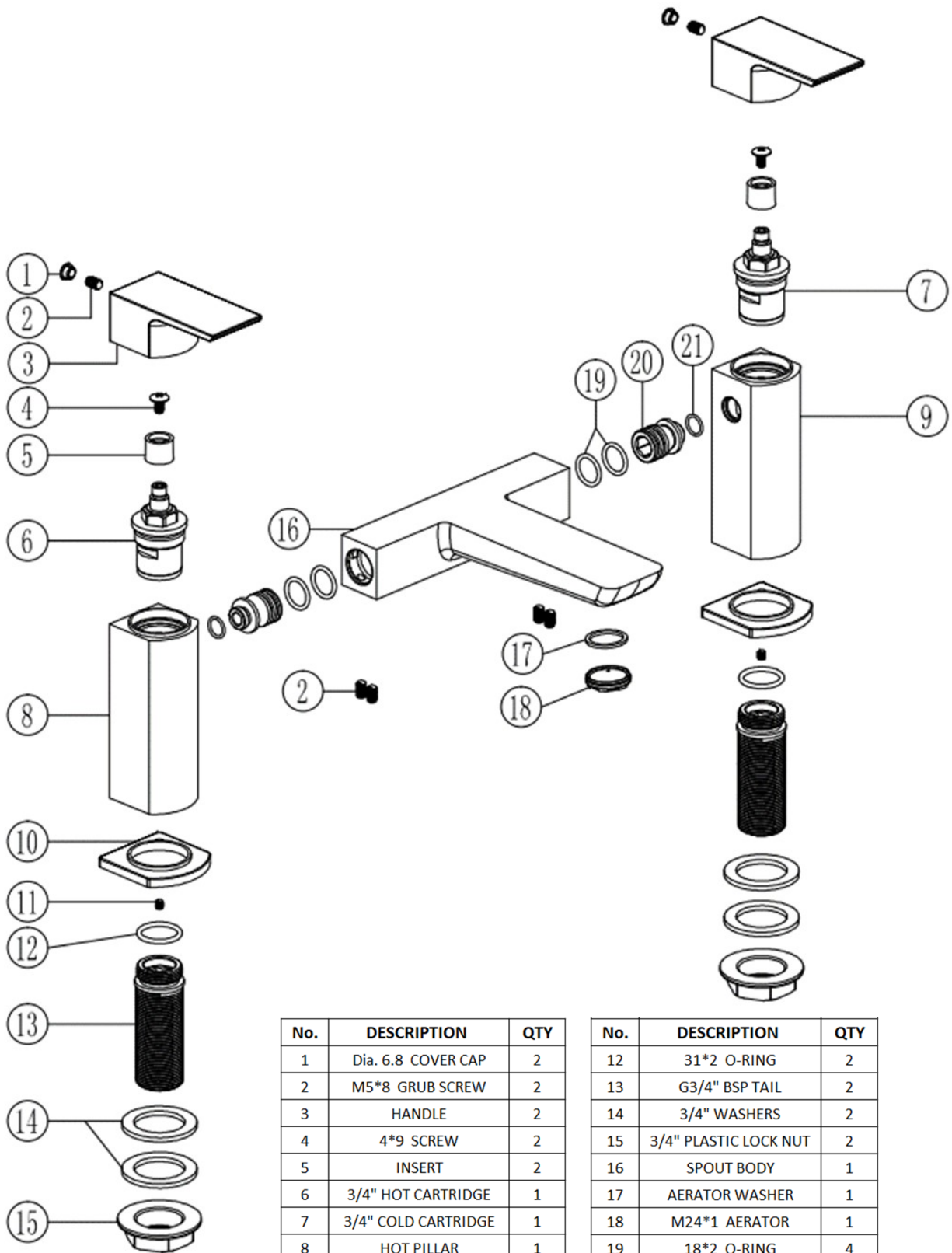
FOR FURTHER ADVICE PLEASE CONTACT :-

SAGITTARIUS LTD UNIT 1 LOWER VICTORIA STREET—CHADDERTON—OLDHAM—OL9 9TU TEL:0616 6202029

EMAIL:TECHNICAL@SAGITTARIUSTAPS.CO.UK

Flow Rates (Litres per minute)

System Pressure	0.1 Bar	0.2 Bar	0.3 Bar	0.5 Bar	1.0 Bar	1.5 Bar	2.0 Bar	3.0 Bar	4.0 Bar	5.0 Bar
	6.84	9.07	10.77	13.82	20.28	25.62	29.67	38.36	48.48	58.64



No.	DESCRIPTION	QTY
1	Dia. 6.8 COVER CAP	2
2	M5*8 GRUB SCREW	2
3	HANDLE	2
4	4*9 SCREW	2
5	INSERT	2
6	3/4" HOT CARTRIDGE	1
7	3/4" COLD CARTRIDGE	1
8	HOT PILLAR	1
9	COLD PILLAR	1
10	BASE PLATE	2
11	M4*8 GRUB SCREW	2

No.	DESCRIPTION	QTY
12	31*2 O-RING	2
13	G3/4" BSP TAIL	2
14	3/4" WASHERS	2
15	3/4" PLASTIC LOCK NUT	2
16	SPOUT BODY	1
17	AERATOR WASHER	1
18	M24*1 AERATOR	1
19	18*2 O-RING	4
20	CONNECTOR	2
21	12*2 O-RING	2

FOR FURTHER ADVICE PLEASE CONTACT :-

SAGITTARIUS LTD UNIT 1 LOWER VICTORIA STREET—CHADDERTON—OLDHAM—OL9 9TU TEL:0616 6202029

EMAIL:TECHNICAL@SAGITTARIUSTAPS.CO.UK