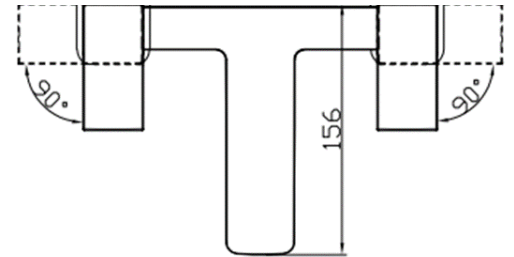
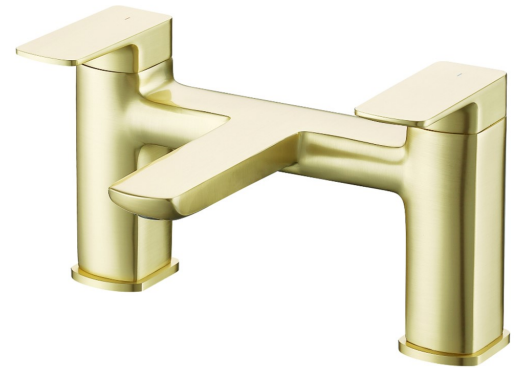


SAGITTARIUS

TAPS & SHOWERING

RAVENNA DECK MOUNTED BATHFILLER RA/104/BB

Construction	Brass Body, Zinc-alloy Handles
Finishes	Brushed brass
Product Type	Contemporary
Water Pressure Tested Between Standards	Min. 0.5 bar, Max. 6.0 bar Complies with BS5412, BS EN200
Certification	WRAS (1709044) approved and certified
Cartridge	1/4 Turn 3/4" Ceramic disc valves
Fitting	Brass 3/4" BSP tails
Aerator	Laminar spout aerator
Guarantee	10 years against manufacturing faults (excluding serviceable parts)



Operational Water Pressure



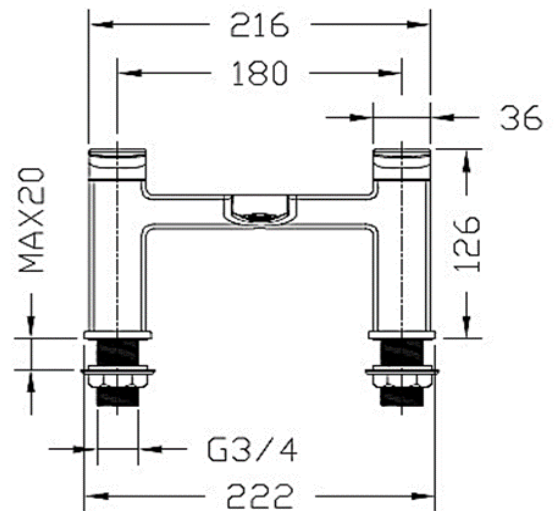
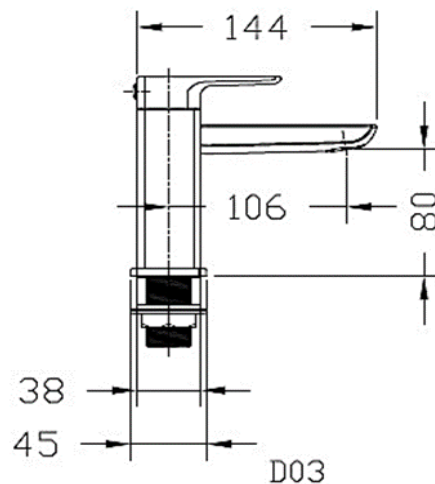
LOW PRESSURE
0.2-0.5 bar



COMBI BOILER



HIGH PRESSURE
1.2- 1.5+ bar



The information contained on this page was correct at the date of issue. Fitting dimensions are provided as a guide only. Some variation may occur due to manufacturing tolerances. We pursue a policy of continuing improvement in design and performance of our products and so reserve the right to change specifications without prior notice

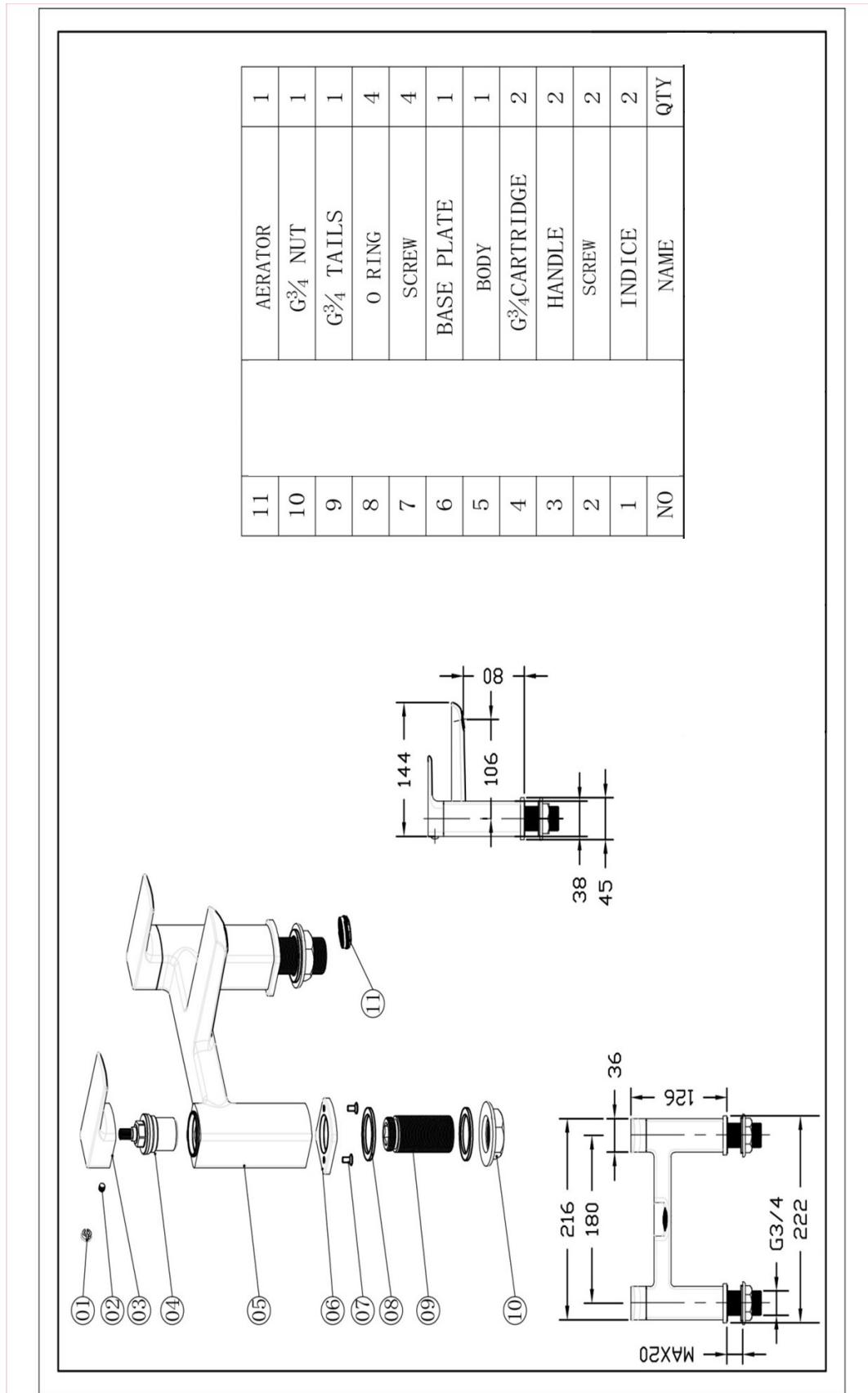
FOR FURTHER ADVICE PLEASE CONTACT :-

SAGITTARIUS LTD UNIT 1 LOWER VICTORIA STREET—CHADDERTON—OLDHAM—OL9 9TU TEL:0616 6202029

EMAIL:TECHNICAL@SAGITTARIUSTAPS.CO.UK

Flow Rates (Litres per minute)

System Pressure	0.1 Bar	0.2 Bar	0.3 Bar	0.5 Bar	1.0 Bar	1.5 Bar	2.0 Bar	3.0 Bar	4.0 Bar	5.0 Bar
	-	8.0	9.7	12.7	17.9	-	25.6	31.5	-	-



NO	NAME	QTY
11	AERATOR	1
10	G ³ / ₄ NUT	1
9	G ³ / ₄ TAILS	1
8	O RING	4
7	SCREW	4
6	BASE PLATE	1
5	BODY	1
4	G ³ / ₄ CARTRIDGE	2
3	HANDLE	2
2	SCREW	2
1	INDICE	2

FOR FURTHER ADVICE PLEASE CONTACT :-
 SAGITTARIUS LTD UNIT 1 LOWER VICTORIA STREET—CHADDERTON—OLDHAM—OL9 9TU TEL:0616 6202029
 EMAIL:TECHNICAL@SAGITTARIUSTAPS.CO.UK