

SAGITTARIUS

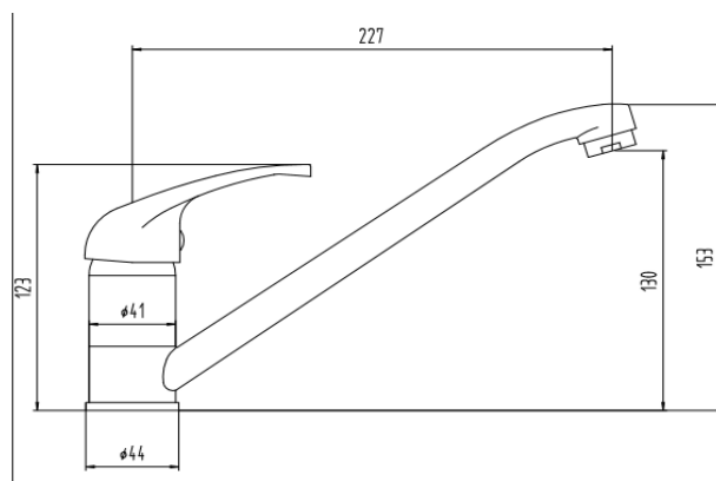
TAPS & SHOWERING

| | |
|-------------------------|--|
| Construction | Brass Body (CuZn40Pb18) |
| Finishes | Chrome plated to BS EN 248 |
| Product Type | Contemporary |
| Water Pressure | Min. 0.2 bar, Max. 6.0 bar |
| Plumbing Systems | Suitable for all plumbing systems |
| Standards | Complies with BS5412, BS EN200 |
| Certification | Manufactured to comply with WRAS |
| Cartridge | 35mm Ceramic disc cartridge |
| Fitting | M10 x 15mm flexible connection pipes |
| Packaging | 31 x 28 x 35cm / carton (10 boxes / carton) |
| Guarantee | 10 years against manufacturing faults (excluding serviceable parts). |

PRESTIGE MONOBLOC SINK

MIXER CHROME

PR/152/C



Flow Rates (Litres per minute)

| System Pressure | 0.1 Bar | 0.2 Bar | 0.3 Bar | 0.5 Bar | 1.0 Bar | 1.5 Bar | 2.0 Bar | 3.0 Bar | 4.0 Bar | 5.0 Bar |
|-----------------|---------|---------|---------|---------|---------|---------|---------|---------|---------|---------|
| PR152 | | 3.3 | | 5.0 | 7.8 | 10.1 | 11.8 | 14.5 | - | - |

The information contained on this page was correct at the date of issue. Fitting dimensions are provided as a guide only. Some variation may occur due to manufacturing tolerances. We pursue a policy of continuing improvement in design and performance of our products and so reserve the right to change specifications without prior notice

FOR FURTHER ADVICE PLEASE CONTACT :-

SAGITTARIUS LTD UNIT 1 LOWER VICTORIA STREET—CHADDERTON—OLDHAM—OL9 9TU TEL:0616 6202029

EMAIL:TECHNICAL@SAGITTARIUSTAPS.CO.UK

The information contained on this page was correct at the date of issue. Fitting dimensions are provided as a guide only. Some variation may occur due to manufacturing tolerances.
We pursue a policy of continuing improvement in design and performance of our products and so reserve the right to change specifications without prior notice

FOR FURTHER ADVICE PLEASE CONTACT :-
SAGITTARIUS LTD UNIT 1 LOWER VICTORIA STREET—CHADDERTON—OLDHAM—OL9 9TU TEL:0616 6202029
EMAIL:TECHNICAL@SAGITTARIUSTAPS.CO.UK