

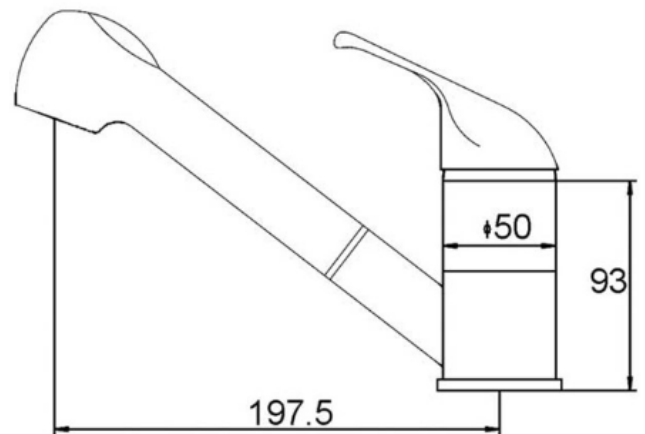
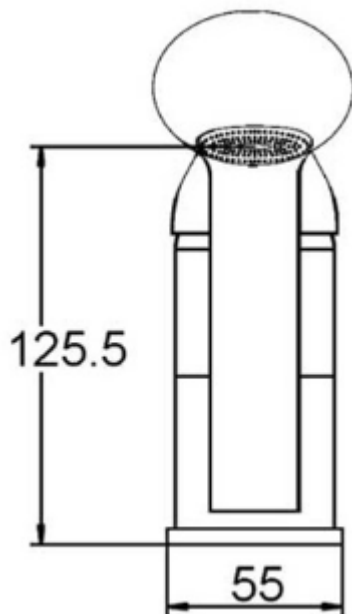
SAGITTARIUS

TAPS & SHOWERING

PRESTIGE PULL OUT SINK

MIXER CHROME

PR/151/C



The information contained on this page was correct at the date of issue. Fitting dimensions are provided as a guide only. Some variation may occur due to manufacturing tolerances. We pursue a policy of continuing improvement in design and performance of our products and so reserve the right to change specifications without prior notice

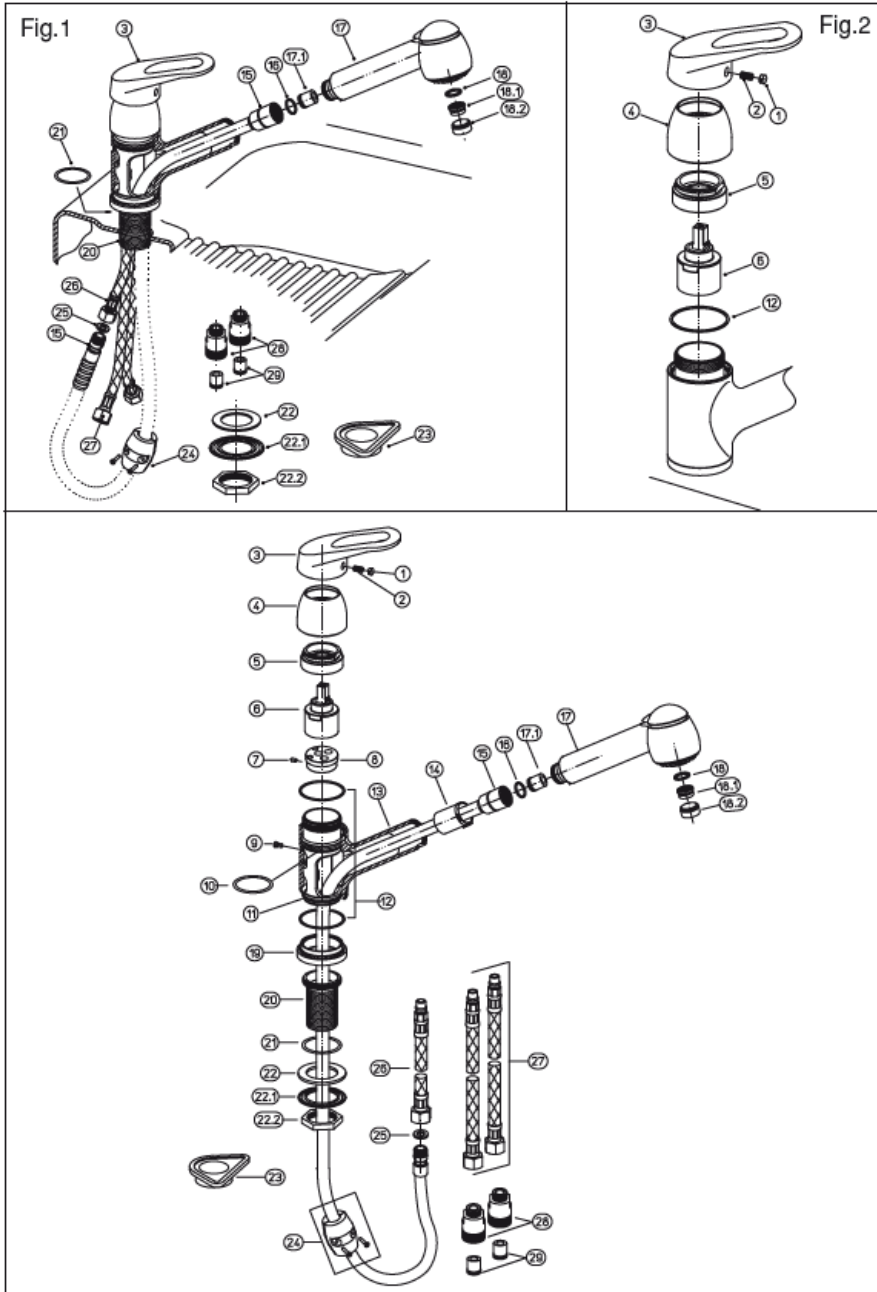
FOR FURTHER ADVICE PLEASE CONTACT :-

SAGITTARIUS LTD UNIT 1 LOWER VICTORIA STREET—CHADDERTON—OLDHAM—OL9 9TU TEL:0616 6202029

EMAIL:TECHNICAL@SAGITTARIUSTAPS.CO.UK

SAGITTARIUS

TAPS & SHOWERING



INSTRUCTIONS FOR ASSEMBLING AND SERVICING

ASSEMBLY INSTRUCTIONS (Fig.1)

Place the o-ring (21) under the body of the tap (20) and insert tap into sink tap hole. Introduce nut (22.2) and washers (22.1) to the underside and hand tighten. NB if more stability is required, also utilise tap support (23) between the sink and the nuts. Connect the flexible pipes (27) to the hot and cold water threaded inlets, ensuring that the cold is on the right and the hot is on the left. Connect the handspray (17) to the flexible pipe (15), ensuring that the o-rings (16) and check valve (17.1) are in place, and connect the spray hose to the pipe leading from the tap. Fix the counter weight (24) in a suitable place to ensure that the pull-out hose can be returned. Check all connections before operating the tap, and ensure that the sprayhead is operating correctly and automatically shutting off the water supply.

REPLACEMENT OF CARTRIDGE (Fig.2)

To remove the lever (3), flick out the indicator (1) and unscrew the screw (2), and unscrew cap (4), revealing nut (5) which should be undone to remove the cartridge (6). After the cartridge is replaced, follow this sequence in reverse order. Also ensure that all the parts are fully tightened to ensure a seal, and ease of operation of the lever.

REPLACEMENT AND MAINTENANCE OF THE AERATOR (Fig.1)

Regularly clean the aerator so that the flow rate is not restricted. Unscrew (18.2) and cleanout the filter (18.1) of any impurities. Reverse the procedure to replace.

CARE AND MAINTENANCE

To maintain the appearance of this fitting, ensure it is only cleaned using a soft damp cloth. A solution of warm water and mild liquid detergent may be used where necessary, and the fitting rinsed thoroughly. Abrasive or acidic cleaners must not be used under any circumstances. Avoid contact with all solvents. Failure to observe these instructions will invalidate the warranty.

WARRANTY

5 year warranty on moving parts, 1 year on finish.

The information contained on this page was correct at the date of issue. Fitting dimensions are provided as a guide only. Some variation may occur due to manufacturing tolerances. We pursue a policy of continuing improvement in design and performance of our products and so reserve the right to change specifications without prior notice

FOR FURTHER ADVICE PLEASE CONTACT :-

SAGITTARIUS LTD UNIT 1 LOWER VICTORIA STREET—CHADDERTON—OLDHAM—OL9 9TU TEL:0616 6202029

EMAIL:TECHNICAL@SAGITTARIUSTAPS.CO.UK