

# SAGITTARIUS

## TAPS & SHOWERING

**Construction** Brass Body (CuZn40Pb2), EN CW617N (equivalent to BS CZ122)  
Zinc-alloy Handle

**Finishes** Chrome plated to BS EN 248

**Product Type** Contemporary

**Water Pressure** Min. 0.2 bar, Max. 5.0 bar

**Tested Between**

**Standards** Complies with BS5412, BS EN200

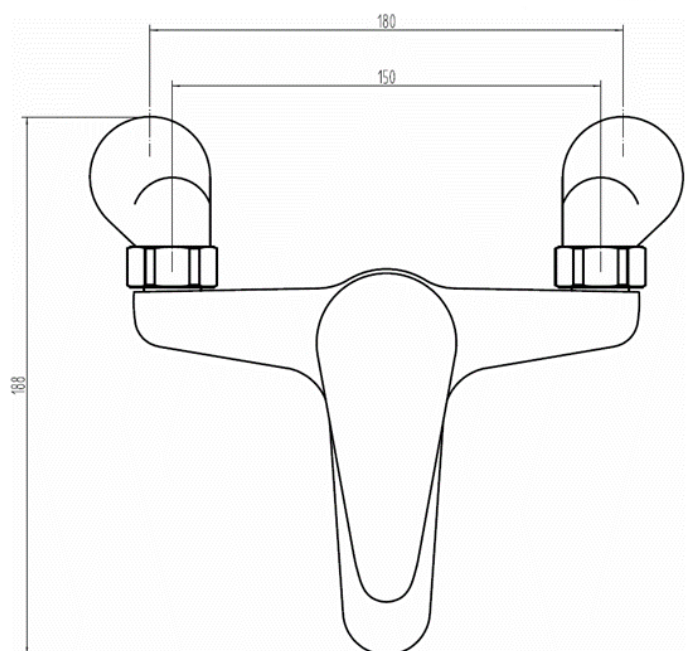
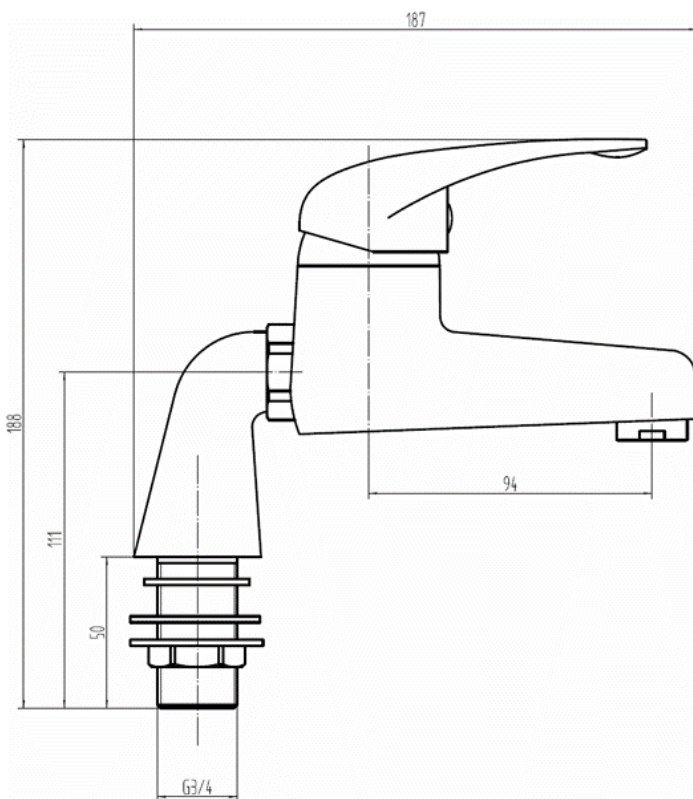
**Cartridge** 40mm Ceramic disc cartridge

**Net Weight (Tap only)** 933g

**Fitting** Brass G3/4" BSP tails

**Aerator** Laminar stream straightener

**Guarantee** 10 years against manufacturing faults (excluding serviceable parts)



The information contained on this page was correct at the date of issue. Fitting dimensions are provided as a guide only. Some variation may occur due to manufacturing tolerances. We pursue a policy of continuing improvement in design and performance of our products and so reserve the right to change specifications without prior notice

FOR FURTHER ADVICE PLEASE CONTACT :-

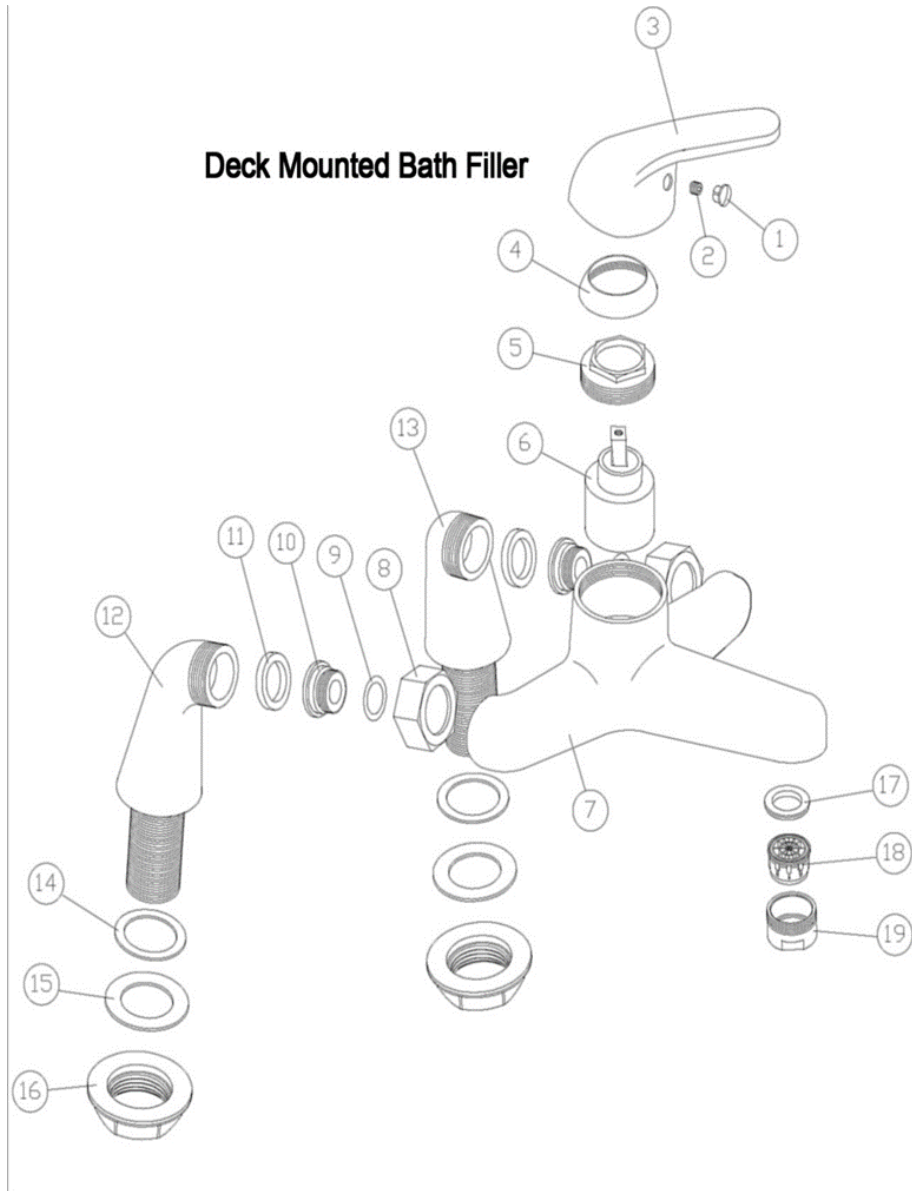
SAGITTARIUS LTD UNIT 1 LOWER VICTORIA STREET—CHADDERTON—OLDHAM—OL9 9TU TEL:0616 6202029

EMAIL:TECHNICAL@SAGITTARIUSTAPS.CO.UK

**Flow Rates** (Litres per minute)

System Pressure	0.1 Bar	0.2 Bar	0.3 Bar	0.5 Bar	1.0 Bar	1.5 Bar	2.0 Bar	3.0 Bar	4.0 Bar	5.0 Bar
	2.0	4.0	-	6.3	9.0	11.2	13.0	16.5	-	-

**Deck Mounted Bath Filler**



NO.	DESCRIPTION	QTY
1	INDICE	1
2	M5*8 SCREW	1
3	HANDLE	1
4	CARTRIDGE COVER	1
5	CARTRIDGE NUT	1
6	40MM FLAT-BASE CARTRIDGE	1
7	TAP BODY	1
8	BACK NUT	2
9	17*2 O-RING	2
10	CONNECTOR	2
11	24*17*3 WASHER	2
12	LEFT BATH PILLAR	1
13	RIGHT BATH PILLAR	1
14	35*28*2 WASHER	2
15	G3/4* WASHER	2
16	BACK NUT	2
17	23*15*3 WASHER	1
18	AERATOR	1
19	M24*1 NOZZLE	1

FOR FURTHER ADVICE PLEASE CONTACT :-

SAGITTARIUS LTD UNIT 1 LOWER VICTORIA STREET—CHADDERTON—OLDHAM—OL9 9TU TEL:0616 6202029

EMAIL:TECHNICAL@SAGITTARIUSTAPS.CO.UK