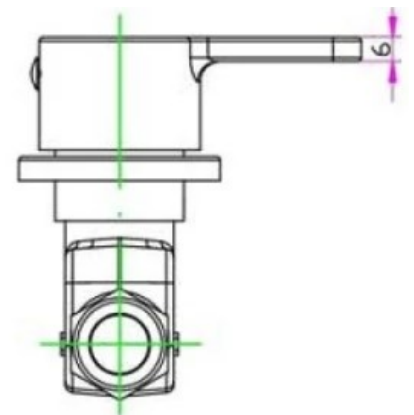
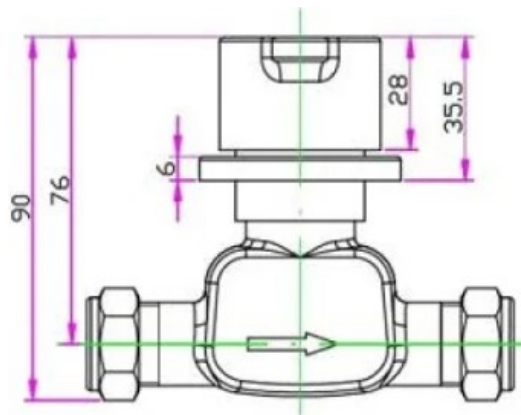
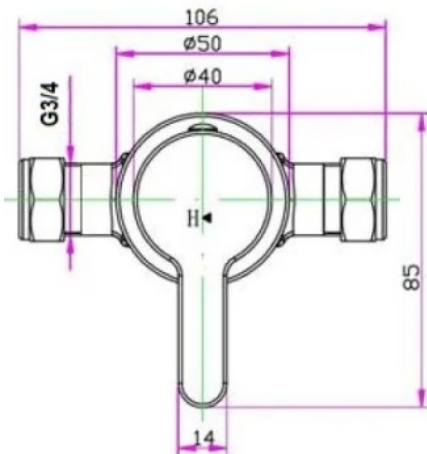


SAGITTARIUS

TAPS & SHOWERING

Construction	Brass Body CuZn40 Pb2, EN CW617N (equivalent to BS CZ122) Zinc alloy Handle
Finishes	Chrome : Ni : 8-12um, Cr : 0.25-0.3um
Product Type	Contemporary
Water Pressure	Min. 0.2 bar, Max. 6.0 bar
Plumbing Systems	Suitable for all plumbing systems
Standards	Complies with BS5412, BS EN200
Certification	-
Cartridge	¼ turn ¾" ceramic disc valve
Diverter	Ceramic disc
Aerator	Neoperl Aerator
Fitting	½" BSP
Packaging	
Guarantee	10 years against manufacturing faults (excluding serviceable parts)

**PLAZA PAIR OF 3/4" DECK
MOUNTED SIDE VALVES
CHROME
PL/140/C**



The information contained on this page was correct at the date of issue. Fitting dimensions are provided as a guide only. Some variation may occur due to manufacturing tolerances. We pursue a policy of continuing improvement in design and performance of our products and so reserve the right to change specifications without prior notice

FOR FURTHER ADVICE PLEASE CONTACT :-

SAGITTARIUS LTD UNIT 1 LOWER VICTORIA STREET—CHADDERTON—OLDHAM—OL9 9TU TEL:0616 6202029

EMAIL:TECHNICAL@SAGITTARIUSTAPS.CO.UK